

# SUBMITTAL DATA SHEET

**SPLIT SYSTEM CONDENSING UNITS**  
**14 SEER - 2 thru 3 TON**  
**MODELS: FRCS024 thru FRCS060**

JOB NAME:			LOCATION:		
PURCHASER:			ORDER NO.:		
ENGINEER:					
SUBMITTED TO:		FOR:	REF:	APPROVAL:	CONSTRUCTION:
SUBMITTED BY:			DATE:		
UNIT DESIGNATION:			SCHEDULE NO.	MODEL NO.	

**PRODUCT DATA**

**Cooling Performance**

Total Capacity \_\_\_\_\_ MBH

Outdoor Design Temp \_\_\_\_\_ °F

**Electrical Data**

Power Supply \_\_\_\_\_ / / \_\_\_\_\_

Total Unit Ampacity \_\_\_\_\_ AMPs

Power Input Req \_\_\_\_\_ KW

Minimum Wire Size \_\_\_\_\_ AWG

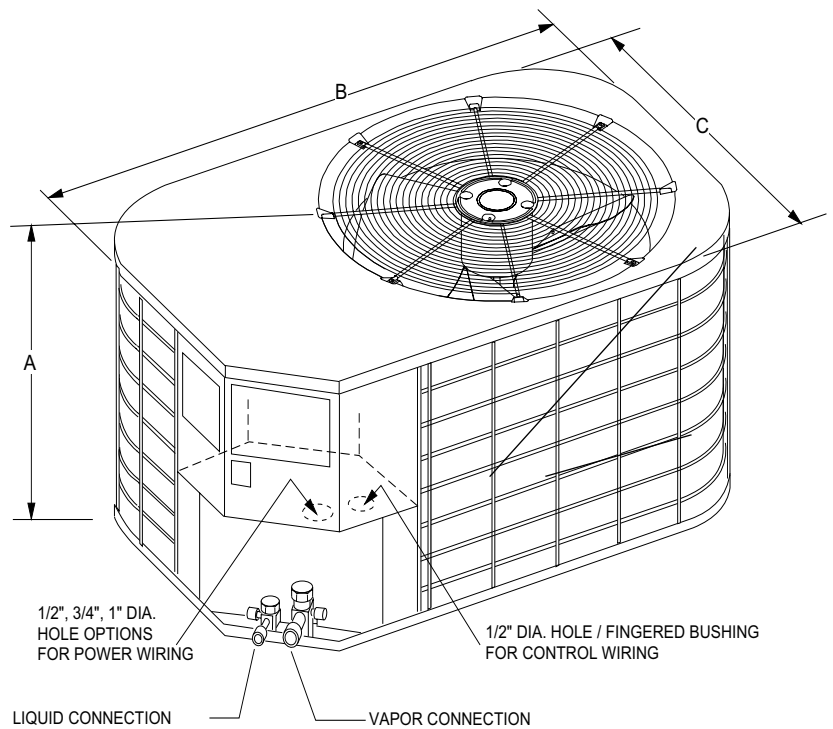
Maximum Overcurrent Device

Fuses     Circuit Breaker

**Unit Weight**

Unit Weight \_\_\_\_\_ LBS

**DIMENSIONS - INCHES**



UNIT MODEL	DIMENSIONS			REFRIGERANT CONNECTION	
	A*	B	C	LINE SIZE	
				LIQUID	VAPOR
024	33	37	27	3/8	7/8
030	39	37	27		
036	39	37	27		

\*. Includes fan guard

All dimensions are in inches. They are subject to change without notice. Certified dimensions will be provided upon request.

