

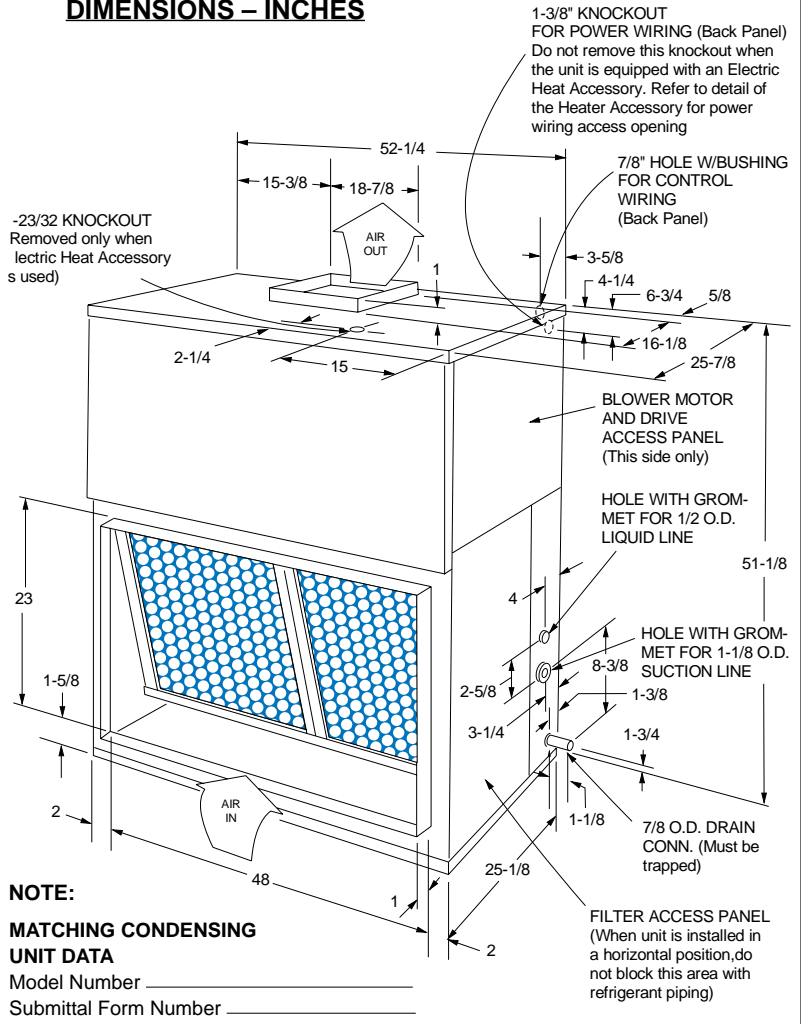
JOB NAME _____ LOCATION _____
 PURCHASER _____ ORDER NO. _____
 ENGINEER _____
 SUBMITTED TO _____ FOR: Reference Approval Construction
 SUBMITTED BY _____ DATE _____

UNIT DESIGNATION: Schedule No. _____ MODEL NO. _____

PRODUCT DATA

COOLING PERFORMANCE	
TOTAL CAPACITY.....	_____ MBH
SENSIBLE CAPACITY.....	_____ MBH
EVAPORATOR PRESSURE	
AT SATURATION.....	_____ PSIG
EVAPORATOR TEMPERATURE	
AT SATURATION.....	_____ °F
TOTAL SUPPLY AIR.....	_____ CFM
TEMP. OF AIR ENTERING	
EVAPORATOR COIL.....	____/____ °F DB/WB
HEATING PERFORMANCE	
Refer to field-installed accessories on reverse side.	
SUPPLY AIR BLOWER PERFORMANCE	
TOTAL SUPPLY AIR.....	_____ CFM
TOTAL RESISTANCE EXTERNAL	
TO UNIT.....	_____ IWG
BLOWER SPEED.....	_____ RPM
POWER OUTPUT REQUIREMENT..	_____ BHP
MOTOR RATING.....	_____ HP
POWER INPUT REQUIREMENT....	_____ KW
ELECTRICAL DATA	
POWER SUPPLY.....	____/____/____
TOTAL UNIT AMPACITY.....	_____ AMPS
MINIMUM WIRE SIZE.....	_____ AWG
(Copper Conductors)	
MAXIMUM FUSE SIZE	
DUAL ELEMENT.....	_____ AMPS
UNIT WEIGHT	
TOTAL OPERATING WEIGHT.....	_____ LBS.
(Including field-installed accessories)	

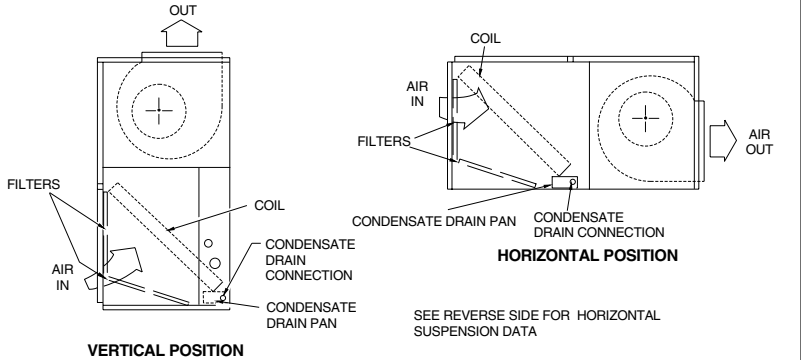
DIMENSIONS – INCHES



MINIMUM CLEARANCES

- Side with RETURN AIR opening 24"
 - Side with SUPPLY AIR opening 24" ①
 - Side with PIPING CONNECTIONS 52" ②
 - Side opposite PIPING CONNECTIONS..... 12"
 - Side with access for both
 POWER & CONTROL WIRING ③
 - Bottom ④
- ① Overall dimension of the unit will vary if an electric heater, a supply air plenum or a base is used.
 - ② This dimension is required for removal of the coil. Only 26" is required for normal servicing.
 - ③ Although no clearance is required for service and operation, some clearance may be required for routing the power and control wiring.
 - ④ Allow enough clearance to trap the condensate drain line.

APPLICATION

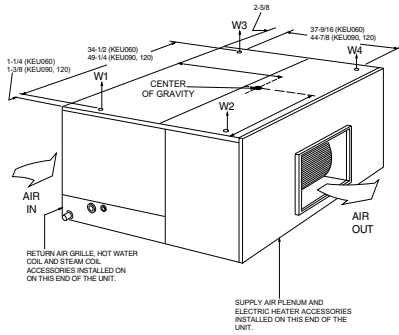


SPLIT-SYSTEM EVAPORATOR BLOWERS
7-1/2 TONS
MODEL LF-07

036-22194-001-B-0902
 Supersedes: 036-22194-001-A-0502



SUSPENSION MOUNTING (Horizontal Application)



Four 3/8" - 16 weld nuts are provided in the unit support angles for ceiling suspension. Knockouts are provided in panels for access to these weld nuts. Support rods must be supplied in the field.

SUSPENSION WEIGHTS, LBS.			
A	B	C	D

FIELD-INSTALLED ACCESSORIES

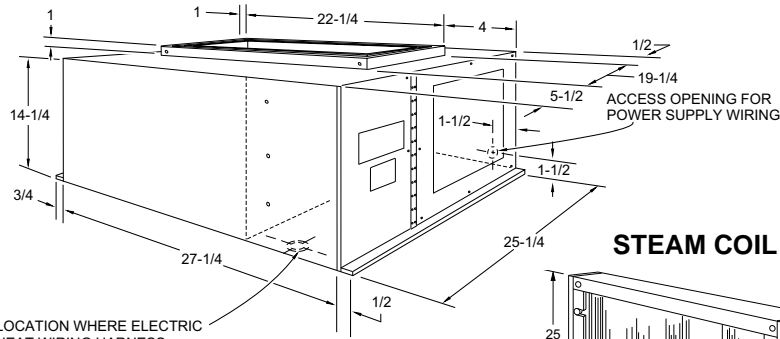
- SUPPLY AIR PLENUM (1SP0451)
- RETURN AIR GRILLE (1RG0451)
- BASE (1BS0451)
- (Vertical Application Only)
- ELECTRIC HEATER*
- Model Number _____
- Capacity (@ _____ Volts) _____ MBH
- Power Input Requirement _____ KW
- (Less Blower Motor)

- STEAM COIL (1NF0451)
- Steam Pressure _____ PSIG
- Capacity _____ MBH
- Steam Rate _____ LBS/HR
- Entering Air Temperature _____ °F
- HOT WATER COIL (1HW0451)
- Capacity _____ MBH
- Entering Water Temperature _____ °F
- Water Flow Rate _____ GPM
- Entering Air Temperature _____ °F
- Water Pressure Drop _____ PSI

* Units with electric heat have a single source power supply. Refer to PRODUCT DATA on front side for electrical data.

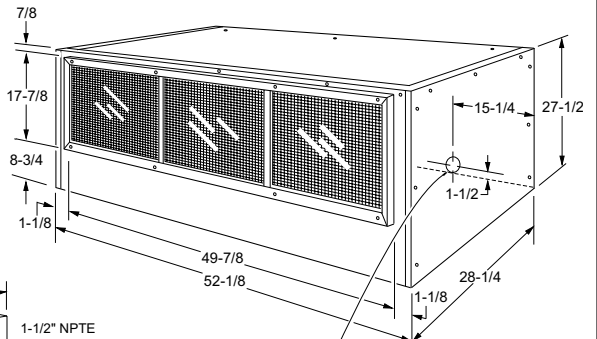
ACCESSORY DIMENSIONS – INCHES

ELECTRIC HEATER



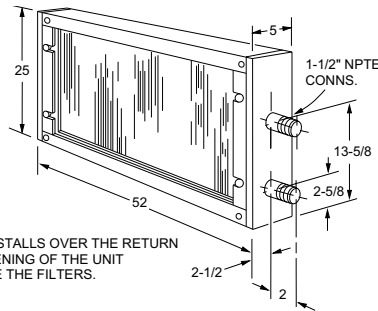
LOCATION WHERE ELECTRIC HEAT WIRING HARNESS PENETRATES THE CABINET OF THE BLOWER UNIT

SUPPLY AIR PLENUM



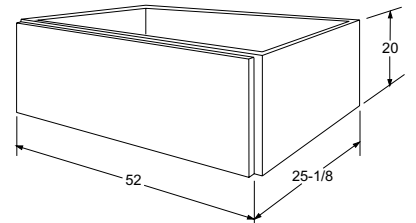
2-1/2 KNOCKOUT FOR POWER WIRING WHEN ELECTRIC HEATER IS USED

STEAM COIL



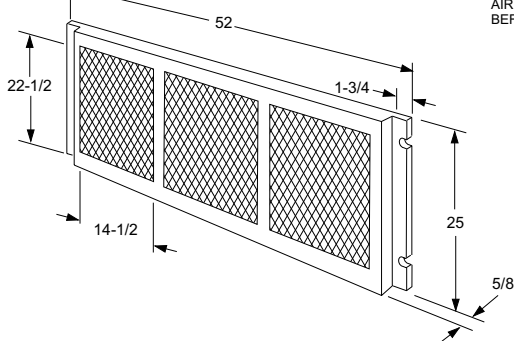
COIL INSTALLS OVER THE RETURN AIR OPENING OF THE UNIT BEFORE THE FILTERS.

BASE

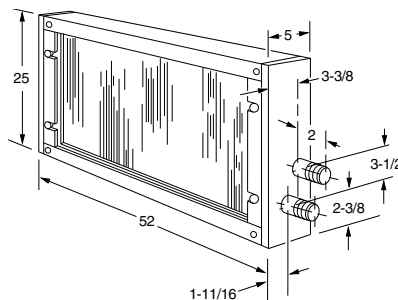


RETURN AIR GRILLE

RETURN AIR GRILLE



HOT WATER COIL



NOTES:
