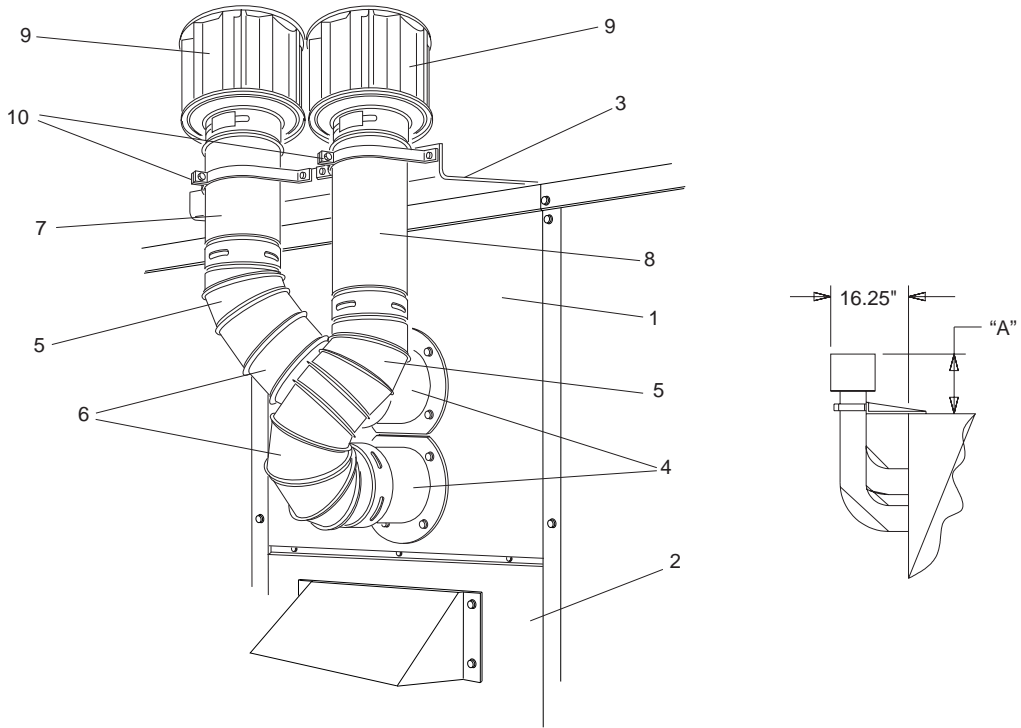


JOB NAME _____ LOCATION _____
 PURCHASER _____ ORDER NO. _____
 ENGINEER _____
 SUBMITTED TO _____ FOR: Reference Approval Construction
 SUBMITTED BY _____ DATE _____

UNIT DESIGNATION: Schedule No. _____ MODEL NO. _____



ITEM	QTY.	PART NUMBER	DESCRIPTION
1	1	073-18730-001	PANEL, TOP, GAS HEAT (FOR KIT 1FE0409 ONLY)
1	1	073-18730-002	PANEL, TOP, GAS HEAT (FOR KIT 1FE0410 ONLY)
2	1	073-18731-000	PANEL, BOTTOM, GAS HEAT
3	1	073-18751-000	BRACKET, FLUE STACK
4	2	026-34699-000	COLLAR, START, 6"
5	2	026-34700-000	B-VENT, 45 DEG. EL, 6" ADJ.
6	2	026-34701-000	B-VENT, 90 DEG. EL, 6" ADJ.
7	1	026-34702-000	B-VENT, STR., 6" DIA., 12" LG.
8	1	026-34703-000	B-VENT, STR., 6" DIA., 18" LG.
9	2	026-34705-000	B-VENT, CAP, 6" DIA.
10	2	026-34706-000	BRACKET, WALL, 6"

UNIT MODEL	UNIT SIZE	DIMENSION "A"
DL-15, DU-15, DUC 180, DUT 180	15 TON	20"
DL-20, DU-20, DUC 240, DUT 240	20 TON	16"
DL-25, DUC 300	25 TON	16"
DW -15, -18, -20, -25	15, 17.5, 20, 25 TON	16"

Subject to change without notice. Printed in the U. S. A.

**FLUE EXHAUST KIT
 MODEL 1FE0409 AND 1FE0410
 FOR SINGLE PACKAGE ROOFTOP AIR CONDITIONERS
 OR HEAT PUMPS WITH GAS FURNACE SECTIONS
 15 THRU 25 TON UNITS**

036-22222-001-A-0502

Supersedes: Nothing

