

SUBMITTAL DATA SHEET



SPLIT-SYSTEM EVAPORATOR BLOWERS 25, 30 & 40 TONS MODELS: LF-25, LL-30 & LL-40

JOB NAME:			LOCATION:		
PURCHASER:			ORDER NO.:		
ENGINEER:					
SUBMITTED TO:		FOR:	REF:	APPROVAL:	CONSTRUCTION:
SUBMITTED BY:		DATE:			
UNIT DESIGNATION:			SCHEDULE NO.		MODEL NO.

PRODUCT DATA

Cooling Performance

Total Capacity MBH
 Sensible Capacity MBH
 Evaporator Pressure at Saturation PSIG
 Evaporator Temperature at Saturation °F
 Total Supply Air CFM
 Temp. of air Entering Evaporator Coil / °F DB/WB

Heating Performance

Refer to field-installed accessories on reverse side.

Supply Air Blower Performance

Total Supply Air CFM
 Total Resistance External To Unit IWG
 Blower Speed RPM
 Blower Output Requirement BHP
 Motor Rating HP
 Power Input Requirement KW

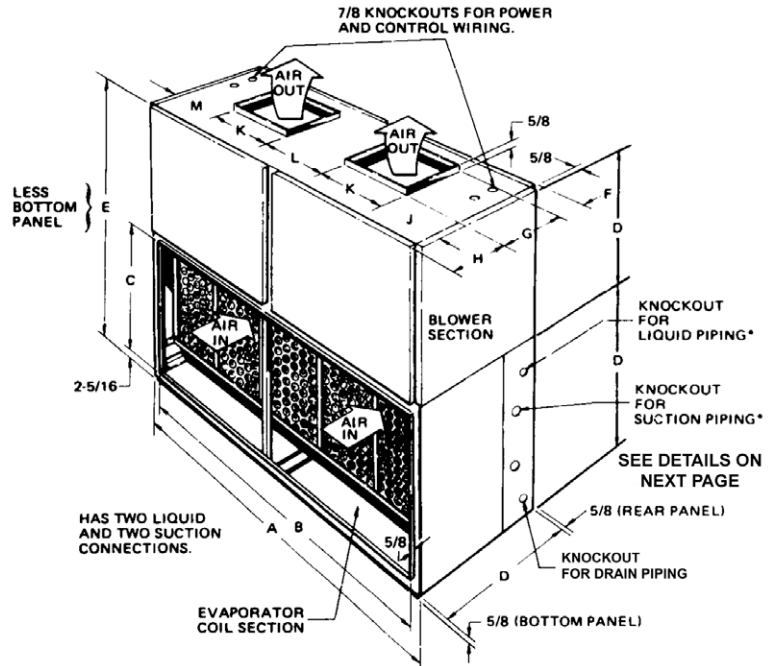
Electrical Data

Power Supply /
 Total Unit Ampacity AMPS
 Minimum Wire Size AWG (Copper Conductors)
 Maximum Fuse Size Dual Element AMPS

Unit Weight

Total Operating Weight LBS (Including field-installed accessories)

DIMENSIONS - INCHES



MODEL	A	B	C	D	E	F	G
LF-25/LL-30	100-1/8	95-5/8	33-1/4	36-5/8	73-1/4	2-1/2	18-7/8
LL-40	103-1/8	95-5/8	40-5/8	44	88	2-1/2	18-7/8

MODEL	H	J	K	L	M	N	P
LF-25/LL-30	16-1/2	15-13/16	21-7/8	18	22-9/16	1	2-1/8
LL-40	23-7/8	20-11/16	21-7/8	18	20-11/16	1/1/08	1-5/8

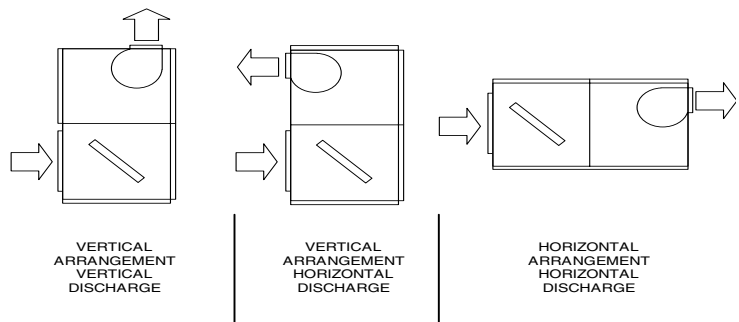
ACCESSORIES

Heating Coil - Add 6" to unit height when used.
 Base - Add 23-3/8" height when used.

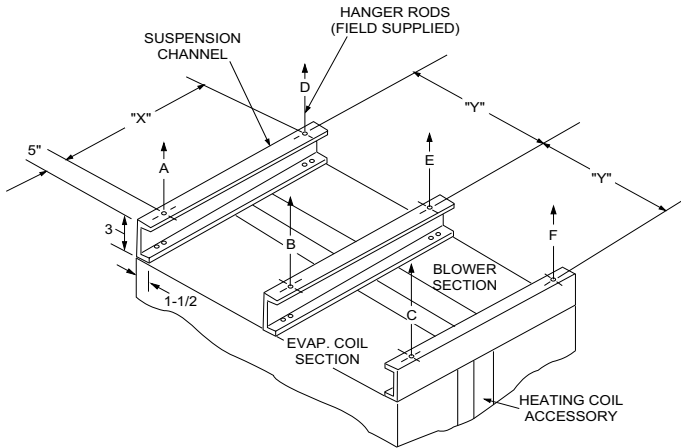
CLEARANCES

24" 24" on one side for piping connection and access to blower motor.
 1" on opposite side. 1" on rear.

INSTALLATION CONFIGURATION



SUSPENSION MOUNTING (Horizontal Application)



SUSPENSION WEIGHTS, LBS.					
A	B	C	D	E	F

DIMENSIONS, IN.	
A	B

Four 3/8" - 16 weld nuts are provided in the unit support angles for ceiling suspension. Knockouts are provided in panels for access to these weld nuts. Support rods must be supplied in the field.

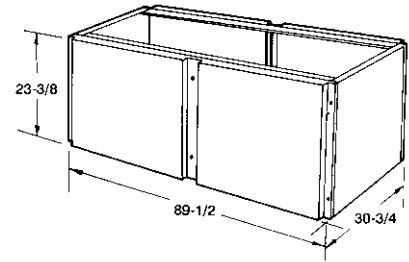
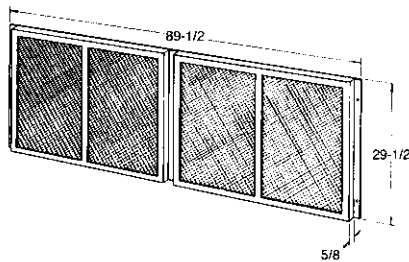
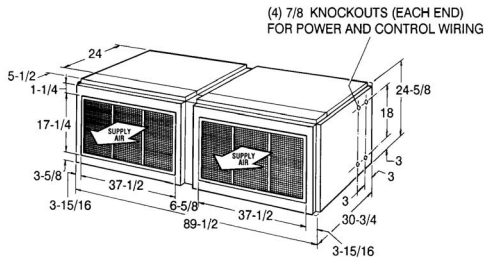
FIELD-INSTALLED ACCESSORIES

- SUPPLY AIR PLENUM (1SP0451)
- RETURN AIR GRILLE (1RG0451)
- BASE (1BS0451)
- (Vertical Application Only)

- STEAM COIL (1NF0451)
- Steam Pressure _____ PSIG
- Capacity _____ MBH
- Steam Rate _____ LBS/HR
- Entering Air Temperature _____ °F
- HOT WATER COIL (1H20451)
- Capacity _____ MBH
- Entering Water Temperature _____ °F
- Water Flow Rate _____ GPM
- Entering Air Temperature _____ °F
- Water Pressure Drop _____ PSI

* Units with electric heat have a single source power supply. Refer to PRODUCT DATA on front side for electrical data.

ACCESSORY DIMENSIONS - INCHES



NOTES:

Subject to change without notice. Printed in U.S.A.
Copyright © by Unitary Products Group 2003. All rights reserved.

036-22401-001-A-0103
Supersedes: Nothing

Unitary
Products
Group

5005
York
Drive

Norman
OK
73069