

ACCESSORY KIT INSTALLATION INSTRUCTIONS

Phase Monitor Accessory MODEL 2PM04700124

FOR AIR COOLED SPLIT SYSTEM AIR CONDITIONERS

MODELS:

HA300, HB180/240/360/480/600, HF-25, HL-15/-20/-30/-40/-50 and
J25HA, J15/20/30/40/50HB
YC090/120/150/180/240, YH-07/-10/-12/-15/-20 and J07/10/12/15/20YC
YD120/150/180/240, YJ-10/-12/-15/-20 and J10/12/15/20YD

FOR AIR COOLED SPLIT SYSTEM HEAT PUMPS

MODELS:

PC090/120/180/240, PH-07/-10/-15/-20 and J07/10/15/20PC
PD180/240, PJ-15/-20 and J15/20PD

FOR AIR COOLED PACKAGED UNITS

MODELS:

Y32, Y33, Y34, G32, G33, G34, T32, T33, T34, Z32, Z33, Z34, X32, X33, X34, V32, V33, V34
and YPAL-050/051/060/061

GENERAL

This accessory is intended to provide protection against phase reversal, phase loss and phase unbalance. The switch automatically shuts off power to the units control circuit if one of the above conditions is detected and will automatically reset upon correction of the problem. The control has a visual LED indication of its operational status. Wire leads are provided in the accessory for wiring to the monitor, see the unit-wiring diagram.

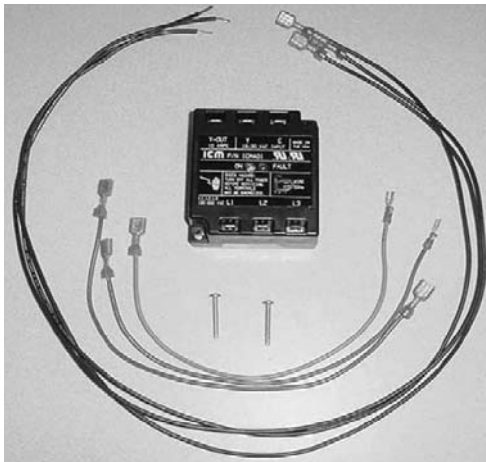


FIGURE 1 - KIT COMPONENTS

TABLE 1: KIT COMPONENT

ITEM	QTY.	PART NO.	DESCRIPTION
1	1 ea.	10186	Power Monitor
2	2 ea.	5832	Screw, PNH, #6-20 1.0
3	3 ea.	7006	Black Power Wire
4	1 ea.	69097	Brown Control Wire
5	1 ea.	69133	Red Control Wire

▲ WARNING

Improper installation, adjustment, service or maintenance can cause injury or property damage. Therefore, only a qualified installer or qualified service personnel should perform this conversion.

▲ WARNING

If the unit is connected to power sources, make sure that all electrical power to the unit has been disconnected prior to servicing.

1. Disconnect electrical power to the unit.
2. Remove unit control box access panel.

3. Install the Phase Monitor in the unit control box. Mounting holes are pre-punched in the control panel at the position marked PHS as shown on the unit-connection diagram.
4. Wire per the diagram provided with the condensing unit.

⚠ CAUTION

Scroll compressors require proper rotation to operate correctly. Units are properly phased at the factory. Do not change internal wiring to make the blower, condenser fans, or compressor rotate correctly.

5. Verify proper unit operation.
 - If power is applied and unit operates properly, continue to Step #6.
 - If power is applied and Red fault LED comes on, change the incoming line connection phasing to obtain proper rotation. Then Continue to Step #6.
6. Replace the previously removed panels.
7. Installation completed.
8. Contact UPG Technical Service for questions regarding installation.

GENERAL DESCRIPTION

- Low cost 3-phase protection for single side.
- Monitors for phase reversal.
- Monitors for phase loss.
- Monitors for phase unbalance % as a function of input voltage.
- Bright LED indicators for ON and FAULT.
- Highly reliable passive electronics.
- IEEE587 transient-tested
- Conformally coated for added protection.

SPECIFICATIONS

INPUT

- Voltage: 190-600 VAC
- Frequency: 50/60 Hz
- Cut Wire: 50 Hz
- Control: 18-30 VAC

OUTPUT

- Ratings:

Type: Relay

Form: SPDT

N.O.: 10 amps

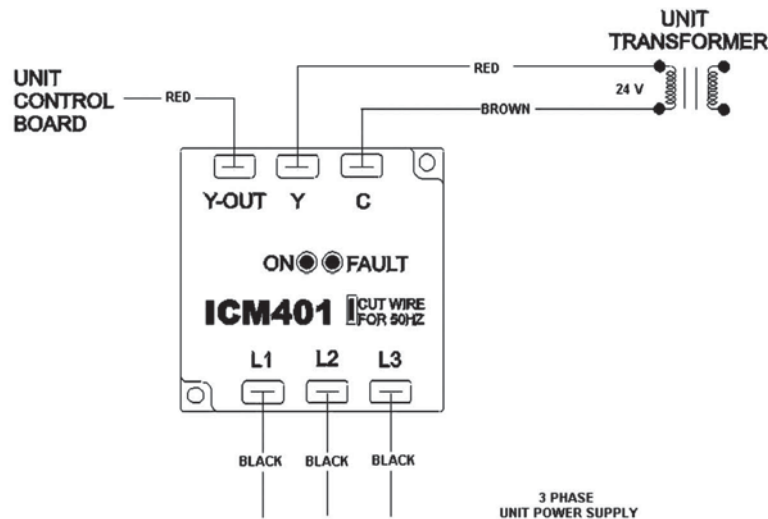


FIGURE 2 - SIMPLIFIED WIRING DIAGRAM