

TECHNICAL GUIDE

SPLIT-SYSTEM AIR CONDITIONERS

13 SEER – R-22

MODELS:
ERCS018 THRU 060

(1.5 THRU 5 NOMINAL TONS, 1 PHASE)

H*BD-(T,W)036 THRU 060
(2.5 THRU 5 NOMINAL TONS, 3 PHASE)



Due to continuous product improvement, specifications are subject to change without notice.

Visit us on the web at www.york.com

Additional rating information can be found at

DESCRIPTION

The 13 SEER Series condensing unit is the outdoor part of a versatile system of air conditioning. It is designed to be custom-matched with one of UPG's complete line of evaporator sections, with each serving a specific function. Matching Air Handlers are available for upflow, downflow, or horizontal applications to provide a complete system. Electric Heaters are available, if required. Add-On coils are available for use with upflow, downflow, or horizontal furnaces and air handlers.

WARRANTY

Single Phase Units:

5-year limited parts warranty.
5-year limited compressor warranty.

Three Phase Units:

1-year limited parts warranty.
5-year limited compressor warranty.

FEATURES

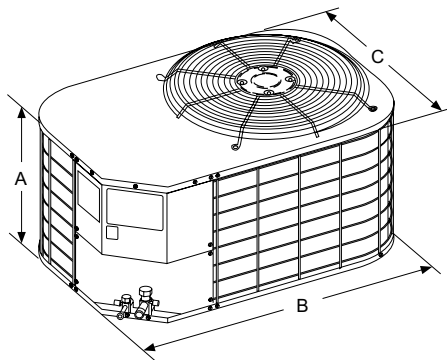
- **QUALITY CONDENSER COILS** - The coil is constructed of copper tube and aluminum fins.
- **PROTECTED COMPRESSOR** - The compressor is internally protected against high pressure and temperature. This is accomplished by the simultaneous operation of high pressure relief valve and a temperature sensor which protects the compressor if undesirable operating conditions occur. A liquid line filter-drier further protects the compressor.
- **DURABLE FINISH** - The cabinet is made of pre-painted steel. The pre-treated galvanized steel provides a better paint to steel bond, which resists corrosion and rust creep. Special primer formulas and matted-textured finish insure less fading when exposed to sunlight.
- **LOWER INSTALLED COST** - Installation time and costs are reduced by easy power and control wiring connections. Discharge line heat exchanger knockouts are provided, if required. Available in sweat connect models only. The unit contains enough refrigerant for matching indoor coils and 15 feet of interconnecting piping. The small base dimension means less space is required on the ground or roof.
- **TOP DISCHARGE** - The warm air from the top mounted fan is blown up away from the structure and any landscaping. This allows compact location on multi-unit applications.
- **LOW OPERATING SOUND LEVEL** - The upward air flow carries the normal operating noise away from the living area. The rigid top panel effectively isolates any motor sound. Isolator mounted compressor and the rippled fins of the condenser coil muffle the normal fan motor and compressor operating sounds.
- **LOW MAINTENANCE** - Long life permanently lubricated motor-bearings need no annual servicing.
- **EASY SERVICE ACCESS** - Fully exposed refrigerant connections, a single panel covering the electrical controls, and the molex plug in the control box connecting the condenser fan make for easy servicing of the unit.
- **SECURED SERVICE VALVES** - Secured re-usable service valves are provided on both the liquid and vapor sweat connections for ease of evacuating and charging.
- **U.L. and C.U.L. listed** - approved for outdoor application.

Certified in accordance with the Unitary Small Equipment certification program, which is based on ARI Standard 210/240.

PHYSICAL AND ELECTRICAL DATA - 1 PHASE

MODEL	ERCS0181BB	ERCS0241BB	ERCS0301BB	ERCS0361BB	ERCS0421BB	ERCS0481BB	ERCS0601BB	
Unit Supply Voltage	208-230V, 1 ϕ , 60Hz							
Normal Voltage Range ¹	187 to 252							
Minimum Circuit Ampacity	9.4	11.8	15.1	18.3	18.3	30.3	32.7	
Max. Overcurrent Device Amps ²	15	20	25	30	30	50	50	
Min. Overcurrent Device Amps ³	15	15	20	20	20	35	35	
Compressor Type ⁴	Recip	Recip	Recip	Recip	Recip	Scroll ^D	Scroll ^D	
Compressor Amps	Rated Load	6.4	9.0	10.7	13.4	13.5	23.0	25.0
	Locked Rotor	36	48	61	78	78	115	150
Crankcase Heater	No	No	No	No	No	No	No	
Fan Motor Amps	Rated Load	0.8	0.5	1.5	1.5	1.5	1.5	
Fan Diameter Inches	18	22	22	22	22	24	24	
Fan Motor	Rated HP	1/8	1/15	1/4	1/4	1/4	1/4	
	Nominal RPM	1075	850	850	850	850	850	
	Nominal CFM	2150	2,200	3100	3150	3550	3550	3600
Coil	Face Area Sq. Ft.	11.43	15.72	15.72	15.72	23.60	24.00	27.00
	Rows Deep	1	1	1	1	1	1	1
	Fin / Inches	22	18	22	22	22	22	22
Liquid Line OD (Field Installed)	3/8	3/8	3/8	3/8	3/8	3/8	3/8	
Vapor Line OD (Field Installed)	3/4	3/4	3/4	7/8	7/8	7/8	1-1/8	
Unit Charge (Lbs. - Oz.) ⁵	4 - 9	5 - 8	5 - 13	6 - 0	8 - 13	8 - 6	10 - 2	
Charge Per Foot, Oz.	0.68	0.68	0.70	0.70	0.70	0.70	0.76	
Operating Weight Lbs.	151	151	183	183	193	215	220	

1. Rated in accordance with ARI Standard 110, utilization range "A".
2. Dual element fuses or HACR circuit breaker. Maximum allowable overcurrent protection.
3. Dual element fuses or HACR circuit breaker. Minimum recommended overcurrent protection.
4. All scrolls listed with a superscript "D" are Danfoss scrolls. All scrolls listed with a superscript "C" are Copeland scrolls.
5. The Unit Charge is correct for the outdoor unit, matched indoor coil and 15 feet of refrigerant tubing. For tubing lengths other than 15 feet, add or subtract the amount of refrigerant, using the difference in length multiplied by the per foot value.



All dimensions are in inches. They are subject to change without notice. Certified dimensions will be provided upon request.

DIMENSIONS

Unit Model	Dimensions (Inches)			Refrigerant Connection Service Valve Size	
	A ¹	B	C	Liquid	Vapor
018	23	35	23	3/8"	3/4"
024	27	37	27		
030	27	37	27		
036	27	37	27		7/8"
042	39	37	27		
048	34	43	32		
060	38	43	32		

1. Including Fan Guard.
- * Adapter fitting required for 1-1/8" line set.

Additional R-22 Charge / Orifice Size for Various Matched Systems - 1 Phase							
Outdoor Unit	ERCS0181BB	ERCS0241BB	ERCS0301BB	ERCS0361BB	ERCS0421BB	ERCS0481BB	ERCS0601BB
Required TXV	1TVM2A1	1TVM2(A,B)1	1TVM2A1	1TVM2A1	1TVM2C1	1TVM2C1	1TVM2C1
Factory R-22 Charge, lbs-oz	4 - 9	6 - 3	5 - 13	6 - 0	8 - 13	8 - 6	10 - 2
Indoor Coil ^{1,2}	TXV KIT ³ - Additional Charge, Oz						
FC/MC/PC/UC18A2A	0	-	-	-	-	-	-
FC/MC/PC/UC18B2A	0	-	-	-	-	-	-
FC/MC/PC/UC24A2A	0	0	-	-	-	-	-
FC/MC/PC/UC24B2A	0	0	-	-	-	-	-
FC/MC/PC/UC30A2A	-	0	0	-	-	-	-
FC/MC/PC/UC30B2A	-	0	0	-	-	-	-
FC/MC/PC/UC36A2A	-	-	0	0	-	-	-
FC/MC/PC/UC36B2A	-	-	0	0	-	-	-
FC/MC/PC/UC36C2A	-	-	0	0	-	-	-
FC/MC/PC/UC42B2C	-	-	-	-	0	-	-
FC/MC/PC/UC42C2C	-	-	-	-	0	-	-
FC/MC/PC/UC48C2C	-	-	-	-	0	0	-
FC/MC/PC/UC48D2C	-	-	-	-	0	0	-
FC/PC/UC/UC60C2C	-	-	-	-	-	-	0
FC/MC/PC/UC60D2C	-	-	-	-	-	-	0
MC61D2C	-	-	-	-	-	-	0
HC18A2A	0	-	-	-	-	-	-
HC30A2A	-	0	0	-	-	-	-
HC36B2A	-	-	0	0	-	-	-
HC42C2C	-	-	-	-	0	-	-
HC60D2C	-	-	-	-	-	0	0
HD24A2A	0	0	-	-	-	-	-
HD36B2A	-	-	0	0	-	-	-
HD48C2C	-	-	-	-	0	0	-
HD60D2C	-	-	-	-	-	0	0
AHP18B2A	0	-	-	-	-	-	-
AHP24B2A	0	0	-	-	-	-	-
AHP30B2A	-	0	0	-	-	-	-
AHP36C2A	-	-	0	0	-	-	-
AHP42C2C	-	-	-	-	0	-	-
AHP/SHP48D2C	-	-	-	-	0	0	-
AHP/SHP60D2C	-	-	-	-	0	0	0
AV24B2A	0	0	-	-	-	-	-
AV36C2A	-	-	0	0	-	-	-
AV/SV48D2C	-	-	-	-	0	0	-
AV/SV60D2C	-	-	-	-	0	0	0
MH30S2A	0	0	0	-	-	-	-
MH36S2A	-	-	-	0	-	-	-
MH42S2A	-	-	-	-	0	-	-
FC/MC/PC/UC18A3X	0	-	-	-	-	-	-
FC/MC/PC/UC18B3X	0	-	-	-	-	-	-
FC/MC/PC/UC24A3X	0	2A + 0	-	-	-	-	-
FC/MC/PC/UC24B3X	0	2A + 0	-	-	-	-	-
FC/MC/PC/UC30A3X	-	2A + 0	0	-	-	-	-
FC/MC/PC/UC30B3X	-	2A + 0	0	-	-	-	-
FC/MC/PC/UC36A3X	-	-	0	0	-	-	-
FC/MC/PC/UC36B3X	-	-	0	0	-	-	-
FC/MC/PC/UC36C3X	-	-	0	0	-	-	-
FC/MC/PC/UC42B3X	-	-	-	-	0	-	-
FC/MC/PC/UC42X3X	-	-	-	-	0	-	-
FC/MC/PC/UC48C3X	-	-	-	-	0	0	-
FC/MC/PC/UC48D3X	-	-	-	-	0	0	-
FC/PC/UC/UC60C3X	-	-	-	-	-	-	0
FC/MC/PC/UC60D3X	-	-	-	-	-	-	0
MC61D3X	-	-	-	-	-	-	0

For Notes See Page 4.

Additional R-22 Charge / Orifice Size for Various Matched Systems - 1 Phase (Continued)							
Outdoor Unit	ERCS0181BB	ERCS0241BB	ERCS0301BB	ERCS0361BB	ERCS0421BB	ERCS0481BB	ERCS0601BB
Required TXV	1TVM2A1	1TVM2(A,B)1	1TVM2A1	1TVM2A1	1TVM2C1	1TVM2C1	1TVM2C1
Factory R-22 Charge, lbs-oz	4 - 9	6 - 3	5 - 13	6 - 0	8 - 13	8 - 6	10 - 2
Indoor Coil ^{1,2}	TXV KIT ³ - Additional Charge, Oz						
HC18A3X	0	-	-	-	-	-	-
HC30A3X	-	2A + 0	0	-	-	-	-
HC36B3X	-	-	0	0	-	-	-
HC42C3X	-	-	-	-	0	-	-
HC60D3X	-	-	-	-	-	0	0
HD24A3X	0	2A + 0	-	-	-	-	-
HD36B3X	-	-	0	0	-	-	-
HD48C3X	-	-	-	-	0	0	-
HD60D3X	-	-	-	-	-	0	0
AHP18B3X	0	-	-	-	-	-	-
AHP24B3X	0	2A + 0	-	-	-	-	-
AHP30B3X	-	2A + 0	0	-	-	-	-
AHP36C3X	-	-	0	0	-	-	-
AHP42C3X	-	-	-	-	0	-	-
AHP/SHP48D3X	-	-	-	-	0	0	-
AHP/SHP60D3X	-	-	-	0	0	0	0
AV24B3X	0	2A + 0	-	-	-	-	-
AV36C3X	-	-	0	0	-	-	-
AV/SV48D3X	-	-	-	-	0	0	-
AV/SV60D3X	-	-	-	-	0	0	0
F4FP024H06T2A	0	-	-	-	-	-	-
F4FP030H06T2A	-	0	-	-	-	-	-
F4FP036H06T2A	-	-	0	-	-	-	-
F4FP040H06T2A	-	-	-	0	-	-	-
F*FV060H06T2C	-	-	-	-	-	0	0

FOOTNOTES:

1. Systems matched with furnace or air handlers not equipped with blower-off delays may require blower Time Delay Kit 2FD06700224.
 2. PC coils cannot be used in downflow or horizontal applications. FC coils cannot be used in horizontal applications.
 3. 1TVM2B TXV kit must be used with these coils to obtain system performance.
- * This loose coil match does not achieve 13 SEER.

PROCEDURES:

1. Unit factory charge listed on the unit nameplate includes refrigerant for the condenser, the smallest evaporator and 15 feet of inter-connecting line tubing.
2. Verify the TXV and additional charge required for specific evaporator coil in the system using the above table.
3. Additional charge for the amount of interconnecting line tubing greater than 15 feet at the rate specified in the table above.
4. Permanently mark the unit nameplate with the total system charge. Total System Charge = Base Charge (as shipped) + adder for evaporator + adder for line set.

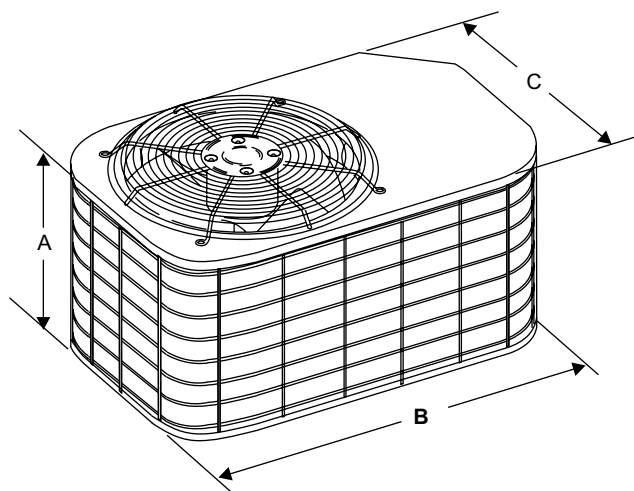
PHYSICAL AND ELECTRICAL DATA - 3 PHASE

MODEL	HABD-T030S	HABD-T036S	HABD-T042S	HABD-T048S	HABD-T060S	HABD-W030S	HABD-W036S	HABD-W042S	HABD-W048S	HABD-W060S	
Unit Supply Voltage	208-230V, 3 ϕ , 60Hz					460V, 3 ϕ , 60Hz					
Normal Voltage Range ¹	187 to 252					432 to 504					
Minimum Circuit Ampacity	14.3	14.3	12.4	21.5	23.1	6.9	9.6	6.9	10.3	11.3	
Max. Overcurrent Device Amps ²	20	20	20	35	40	15	15	15	15	15	
Min. Overcurrent Device Amps ³	15	15	15	25	25	15	15	15	15	15	
Compressor Type ⁴	Recip	Recip	Recip	Scroll ^D	Scroll ^D	Recip	Recip	Recip	Scroll ^D	Scroll ^D	
Compressor Amps	Rated Load	10.2	10.2	8.8	16.0	17.3	4.9	4.9	4.9	7.7	8.4
	Locked Rotor	72	72	72	115	123	45	45	45	50	70
Crankcase Heater	No	No	No	No	No	No	No	No	No	No	
Fan Motor Amps	Rated Load										
Fan Diameter Inches	22	22	22	22	24	22	22	22	24	24	
Fan Motor	Rated HP	1/4	1/4	1/4	1/4	1/4	1/4	1/4	1/4	1/4	
	Nominal RPM	850	850	850	850	850	850	850	850	850	
	Nominal CFM	3100	3150	3550	3550	3600	3100	3150	3550	3550	3600
Coil	Face Area Sq. Ft.	15.72	15.72	23.60	24.00	27.00	15.72	15.72	23.60	24.00	27.00
	Rows Deep	1	1	1	1	1	1	1	1	2	2
	Fin / Inches	22	22	22	22	22	22	22	22	18	18
Liquid Line Set OD (Field Installed)	3/8	3/8	3/8	3/8	3/8	3/8	3/8	3/8	3/8	3/8	
Vapor Line Set OD (Field Installed)	3/4	7/8	7/8	7/8	1-1/8	3/4	7/8	7/8	7/8	1-1/8	
Unit Charge (Lbs. - Oz.) ⁵	5 - 13	6 - 0	8 - 13	8 - 6	10 - 2	5 - 13	6 - 0	8 - 13	8 - 6	10 - 2	
Charge Per Foot, Oz.	0.68	0.70	0.70	0.70	0.76	0.68	0.70	0.70	0.70	0.76	
Operating Weight Lbs.	208	208	208	215	294	208	208	215	250	294	

1. Rated in accordance with ARI Standard 110, utilization range "A".
2. Dual element fuses or HACR circuit breaker. Maximum allowable overcurrent protection.
3. Dual element fuses or HACR circuit breaker. Minimum recommended overcurrent protection.
4. All scrolls listed with a superscript "D" are Danfoss scrolls. All scrolls listed with a superscript "C" are Copeland scrolls.
5. The Unit Charge is correct for the outdoor unit, matched indoor coil and 15 feet of refrigerant tubing. For tubing lengths other than 15 feet, add or subtract the amount of refrigerant, using the difference in length multiplied by the per foot value.

All dimensions are in inches. They are subject to change without notice. Certified dimensions will be provided upon request.

DIMENSIONS



Unit Model	Dimensions (Inches)			Refrigerant Connection Service Valve Size	
	A ¹	B	C	Liquid	Vapor
030	27	37	27	3/8"	3/4"
036	27	37	27		7/8"
042	39	37	27		7/8"
048	34	43	32		7/8"
060	38	43	32		7/8"

1. Including Fan Guard.

* Adapter fitting required for 1-1/8" line set.

Additional R-22 Charge / Orifice Size for Various Matched Systems - 3 Phase					
Outdoor Unit	HABD-(T,W)030S	HABD-(T,W)036S	HABD-(T,W)042S	HABD-(T,W)048S	HABD-(T,W)060S
Required TXV	1TVM2A1	1TVM2A1	1TVM2C1	1TVM2C1	1TVM2C1
Factory R-22 Charge, lbs-oz	5 - 13	6 - 0	8 - 13	8 - 6	10 - 2
Indoor Coil¹	Additional Charge, Oz				
FC/MC/PC/UC30A2A	0	-	-	-	-
FC/MC/PC/UC30B2A	0	-	-	-	-
FC/MC/PC/UC36A2A	0	0	-	-	-
FC/MC/PC/UC36B2A	0	0	-	-	-
FC/MC/PC/UC36C2A	0	0	-	-	-
FC/MC/PC/UC42B2C	-	-	0	-	-
FC/MC/PC/UC42C2C	-	-	0	-	-
FC/MC/PC/UC48C2C	-	-	0	0	-
FC/MC/PC/UC48D2C	-	-	0	0	-
FC/PC/UC/UC60C2C	-	-	-	-	0
FC/MC/PC/UC60D2C	-	-	-	-	0
MC61D2C	-	-	-	-	0
HC30A2A	0	-	-	-	-
HC36B2A	0	0	-	-	-
HC42C2C	-	-	0	0	-
HC60D2C	-	-	-	0	0
HD36B2A	0	0	-	-	-
HD48C2C	-	-	0	0	-
HD60D2C	-	-	-	0	0
AHP30B2A	0	-	-	-	-
AHP36C2A	0	0	-	-	-
AHP42C2C	-	-	0	-	-
AHP/SHP48D2C	-	-	0	0	-
AHP/SHP60D2C	-	0	0	0	0
FC/MC/PC/UC30A3X	0	-	-	-	-
FC/MC/PC/UC30B3X	0	-	-	-	-
FC/MC/PC/UC36A3X	0	0	-	-	-
FC/MC/PC/UC36B3X	0	0	-	-	-
FC/MC/PC/UC36C3X	0	0	-	-	-
FC/MC/PC/UC42B3X	-	-	0	-	-
FC/MC/PC/UC43X3X	-	-	0	-	-
FC/MC/PC/UC48C3X	-	-	0	0	-
FC/MC/PC/UC48D3X	-	-	0	0	-
FC/PC/UC/UC60C3X	-	-	-	-	0
FC/MC/PC/UC60D3X	-	-	-	-	0
MC61D3X	-	-	-	-	0
HC30A3X	0	-	-	-	-
HC36B3X	0	0	-	-	-
HC42C3X	-	-	0	0	-
HC60D3X	-	-	-	0	0
HD36B3X	0	0	-	-	-
HD48C3X	-	-	0	0	-
HD60D3X	-	-	-	0	0
AHP30B3X	0	-	-	-	-
AHP36C3X	0	0	-	-	-
AHP42C3X	-	-	0	-	-
AHP/SHP48D3X	-	-	0	0	-
AHP/SHP60D3X	-	0	0	0	0
F4FP040H06T2A	-	0	-	-	-

FOOTNOTES:

1. Systems matched with furnace or air handlers not equipped with blower-off delays may require blower Time Delay Kit 2FD06700224.

PROCEDURES:

1. Unit factory charge listed on the unit nameplate includes refrigerant for the condenser, the smallest evaporator and 15 feet of inter-connecting line tubing.
2. Verify the TXV and additional charge required for specific evaporator coil in the system using the above table.
3. Additional charge for the amount of interconnecting line tubing greater than 15 feet at the rate specified in the table above.
4. Permanently mark the unit nameplate with the total system charge. Total System Charge = Base Charge (as shipped) + adder for evaporator + adder for line set.

COOLING CAPACITY - With Air Handler Coils

UNIT MODEL	AIR HANDLER		COIL MODEL ¹	RATED CFM	COOLING		SEER	EER
	MODEL	W			NET MBH			
					TOTAL	SENS.		
1 & 3 PH 13 SEER AC WITH MA								
ERCS0181BB	MA08B	17	FC/MC18B	600	17.5	11.7	13.00	11.00
	MA08B	17	FC/MC24B	600	17.7	11.9	13.00	11.00
ERCS0241BB	MA08B	17	FC/MC24B	800	23.0	16.6	13.00	11.00
ERCS0301BB	MA12B	17	FC/MC30B	1000	29.6	21.0	13.00	11.00
	MA12B	17	FC/MC36B	1000	29.6	21.3	13.00	11.00
HABD-(T,W)030S	MA12B	17	FC/MC30B	1000	29.0	20.9	13.00	11.00
	MA12B	17	FC/MC36B	1000	29.0	20.9	13.00	11.00
ERCS0361BB	MA12B	17	FC/MC36B	1200	34.8	25.4	13.00	11.00
HABD-(T,W)036S	MA12B	17	FC/MC36B	1200	34.5	25.2	13.00	11.00
ERCS0421BB	MA16C	21	FC/MC42C	1400	40.5	29.6	13.00	11.00
	MA16C	21	FC/MC48C	1400	41.0	30.2	13.00	11.00
	MA14D	24	FC/MC48D	1400	41.0	30.2	13.00	11.00
HABD-(T,W)042S	MA16C	21	FC/MC42C	1400	39.5	29.6	13.00	11.00
	MA16C	21	FC/MC48C	1400	40.0	30.2	13.00	11.00
	MA14D	24	FC/MC48D	1400	40.0	30.2	13.00	11.00
ERCS0481BB	MA16C	21	FC/MC48C	1600	47.0	35.7	13.00	11.00
	MA20D	24	FC/MC48D	1600	47.0	35.1	13.00	11.00
HABD-(T,W)048S	MA16C	21	FC/MC48C	1600	46.0	34.4	13.00	11.00
	MA20D	24	FC/MC48D	1600	46.0	34.4	13.00	11.00
ERCS0601BB	MA20D	24	FC/MC60D	1600	55.0	39.6	13.00	11.00
	MA20D	24	MC61D	1800	55.5	40.0	13.00	11.00
HABD-(T,W)060S	MA20D	24	FC/MC60D	1600	54.5	39.3	13.00	11.00
	MA20D	24	MC61D	1800	55.0	39.3	13.00	11.00
1 PH 13 SEER AC WITH MV - VARIABLE SPEED								
ERCS0181BB	MV12B	17	FC/MC18B	600	17.7	11.7	14.00	11.50
	MV12B	17	FC/MC24B	600	18.0	11.8	14.00	11.50
ERCS0241BB	MV12B	17	FC/MC24B	800	23.4	16.5	14.00	11.50
	MV12B	17	FC/MC30B	800	23.4	16.6	14.00	11.50
ERCS0301BB	MV12B	17	FC/MC30B	1000	30.0	21.0	14.00	11.50
	MV12B	17	FC/MC36B	1000	30.0	21.2	14.00	11.50
	MV16C	21	FC/MC36C	1000	30.0	21.2	14.00	11.50
ERCS0361BB	MV12B	17	FC/MC36B	1200	35.0	25.0	13.50	11.00
	MV16C	21	FC/MC36C	1200	35.2	25.2	14.00	11.50
ERCS0421BB	MV16C	21	FC/MC42C	1400	40.5	29.1	13.75	11.00
	MV16C	21	FC/MC48C	1400	41.5	29.7	14.00	11.50
	MV20D	24	FC/MC48D	1400	41.5	29.8	14.00	11.50
ERCS0481BB	MV16C	21	FC/MC48C	1600	47.0	34.7	13.50	11.00
	MV20D	24	FC/MC48D	1600	47.0	34.6	13.50	11.00
ERCS0601BB	MV20D	24	FC/MC60D	1800	54.0	38.6	13.00	11.00
	MV20D	24	MC61D	1800	55.5	39.1	13.25	11.00
1 PH 13 SEER AC WITH AV / SV / F*FV - VARIABLE SPEED								
ERCS0181BB	AV24	17	-	600	18.0	11.7	14.00	11.50
ERCS0241BB	AV24	17	-	800	23.2	16.5	14.00	11.50
ERCS0301BB	AV36	21	-	1000	30.0	21.2	14.00	11.50
ERCS0361BB	AV36	21	-	1200	35.2	25.0	14.00	11.50
	AV/SV48	24	-	1200	35.8	25.0	13.75	11.00
ERCS0421BB	AV/SV48	24	-	1400	40.5	29.1	14.00	11.50
ERCS0481BB	AV/SV48	24	-	1600	47.0	34.7	13.50	11.00
	F*FV060	24	-	1600	47.5	36.9	13.50	11.00
ERCS0601BB	AV/SV60	24	-	1800	55.0	39.1	13.15	11.00
	F*FV060	24	-	1850	55.0	40.3	13.20	11.00

For Notes See Page 8.

COOLING CAPACITY - With Air Handler Coils (Continued)

UNIT MODEL	AIR HANDLER		COIL MODEL ¹	COOLING				
	MODEL	W		RATED CFM	NET MBH		SEER	EER
					TOTAL	SENS.		
1 & 3 PH 13 SEER AC WITH AHP / F*FP								
ERCS0181BB	AHP18	17	—	650	17.7	12.3	13.00	11.00
	AHP24	17	—	655	17.9	12.5	13.50	11.00
	F*FP024	17	—	650	17.5	12.2	13.00	11.00
ERCS0241BB	AHP24	17	—	830	23.0	16.8	13.00	11.00
	AHP30	17	—	795	23.6	17.0	13.00	11.00
	F*FP030	17	—	800	23.0	16.8	13.00	11.00
ERCS0301BB	AHP30	17	—	1015	30.0	21.9	13.00	11.00
	AHP36	17	—	1040	30.0	22.6	13.50	11.00
	F*FP036	21	—	1000	29.6	21.3	13.00	11.00
HABD-(T,W)030S	AHP30	17	—	1015	29.7	21.7	13.00	11.00
	AHP36	17	—	1040	29.7	22.4	13.50	11.00
	F*FP036	21	—	1000	29.3	21.1	13.00	11.00
ERCS0361BB	AHP36	17	—	1235	35.0	27.2	13.50	11.00
	AHP42	21	—	1255	35.0	27.5	13.50	11.00
	AHP/SHP60	24	—	1200	36.0	26.7	14.00	11.50
HABD-(T,W)036S	F*FP040	21	—	1200	34.8	25.4	13.00	11.00
	AHP36	17	—	1235	34.7	27.0	13.50	11.00
	AHP42	21	—	1255	34.7	27.3	13.50	11.00
ERCS0421BB	AHP/SHP60	24	—	1200	35.7	26.5	14.00	11.50
	F*FP040	24	—	1200	34.5	25.2	13.00	11.00
	AHP42	21	—	1485	41.0	31.0	13.00	11.00
HABD-(T,W)042S	AHP/SHP48	24	—	1400	42.0	30.7	13.50	11.00
	AHP/SHP60	24	—	1400	40.5	33.2	14.00	11.50
	AHP42	21	—	1485	40.0	30.3	13.00	11.00
ERCS0481BB	AHP/SHP48	24	—	1400	41.0	30.0	13.50	11.00
	AHP/SHP60	24	—	1400	39.5	32.5	14.00	11.50
	AHP/SHP48	24	—	1675	47.0	36.8	13.00	11.00
HABD-(T,W)048S	AHP/SHP60	24	—	1600	47.0	36.2	13.75	11.00
	AHP/SHP48	24	—	1675	46.0	36.1	13.00	11.00
	AHP/SHP60	24	—	1600	46.0	35.5	13.75	11.00
ERCS0601BB	AHP/SHP60	24	—	1850	55.0	40.3	13.00	11.00
HABD-(T,W)060S	AHP/SHP60	24	—	1850	54.0	39.6	13.00	11.00

Rated in accordance with DOE test procedures (Federal Register 12-27-79 and 3-18-88) and ARI Standards 210.

Cooling MBH based on 80°F entering air temperature, 50% RH, and rated air flow.

EER (Energy Efficiency Ratio) is the total cooling output in BTU's at 95°F outdoor ambient divided by the total electric power in watt-hours at those conditions.

SEER (Seasonal Energy Efficiency Ratio) is the total cooling output in BTU's during a normal annual usage period for cooling divided by the total electric power input in watt-hours during the same period.

1. MC coils available with a factory installed horizontal drain pan. See price pages for specific model number.

— = Not applicable.

Go to www.ari.org/aridirectory for the latest additional matches.

COOLING CAPACITY - Upflow, Downflow & Horizontal Furnaces and Coils

UNIT MODEL	FURNACE**		COIL MODEL	COOLING					
	CFM RANGE (MIN.-MAX.)	W		RATED CFM	NET MBH		SEER ¹	EER	ARI #
					TOTAL	SENS.			
ERCS0181BB	450 750	14,17	FC/MC/PC/UC18	600	17.5	11.7	13.00	11.00	
		14,17	FC/MC/PC/UC24	600	17.7	11.9	13.00	11.00	
		14	HC18	600	17.5	11.7	13.00	11.00	
		-	HD24	600	18.0	12.1	13.00	11.00	
		19	MH30S	600	17.6	11.9	13.00	11.00	
ERCS0241BB	600 1000	14,17	FC/MC/PC/UC24	800	23.0	16.6	13.00	11.00	
		14,17	FC/MC/PC/UC30	800	23.0	16.6	13.00	11.00	
		14	HC30	800	23.4	16.9	13.00	11.00	
		-	HD24	800	23.4	17.2	13.00	11.00	
		19	MH30S	800	23.0	17.0	13.00	11.00	
ERCS0301BB	800 1200	14,17	FC/MC/PC/UC30	1000	29.6	21.0	13.00	11.00	
		14,17,21	FC/MC/PC/UC36	1000	29.6	21.3	13.00	11.00	
		14	HC30	1000	29.6	21.6	13.00	11.00	
		17	HC36	1000	30.0	21.9	13.00	11.00	
		-	HD36	1000	30.0	22.0	13.50	11.00	
		19	MH30S	1000	30.0	21.8	13.00	11.00	
HABD-(T,W)030S	800 1200	14,17	FC/MC/PC/UC30	1000	29.0	20.9	13.00	11.00	
		14,17,21	FC/MC/PC/UC36	1000	29.0	20.9	13.00	11.00	
		14	HC30	1000	29.0	20.9	13.00	11.00	
		17	HC36	1000	29.0	20.9	13.00	11.00	
		-	HD36	1000	29.0	20.9	13.50	11.00	
ERCS0361BB	1000 1400	14,17,21	FC/MC/PC/UC36	1200	34.8	25.4	13.00	11.00	
		17	HC36	1200	35.0	25.6	13.00	11.00	
		-	HD36	1200	36.0	26.6	13.00	11.00	
		19	MH36S	1200	35.0	26.6	13.00	11.00	
HABD-(T,W)036S	1000 1400	14,17,21	FC/MC/PC/UC36	1200	34.5	25.2	13.00	11.00	
		17	HC36	1200	34.7	25.4	13.00	11.00	
		-	HD36	1200	35.7	26.4	13.00	11.00	
ERCS0421BB	1200 1600	17,21	FC/MC/PC/UC42	1400	40.5	29.6	13.00	11.00	
		21,24	FC/MC/PC/UC48	1400	41.0	30.2	13.00	11.00	
		21	HC42	1400	41.0	29.9	13.00	11.00	
		-	HD48	1400	41.5	29.5	13.00	11.00	
		19	MH42S	1400	40.0	32.2	13.00	11.00	
HABD-(T,W)042S	1200 1600	17,21	FC/MC/PC/UC42	1400	39.5	28.9	13.00	11.00	
		21,24	FC/MC/PC/UC48	1400	40.0	29.5	13.00	11.00	
		21	HC42	1400	40.0	29.2	13.00	11.00	
		-	HD48	1400	40.5	28.8	13.00	11.00	
ERCS0481BB	1400 1800	21,24	FC/MC/PC/UC48	1600	47.0	35.1	13.00	11.00	
		-	HD48	1600	47.0	34.8	13.00	11.00	
HABD-(T,W)048S	1400 1800	21,24	FC/MC/PC/UC48	1600	46.0	34.4	13.00	11.00	
		-	HD48	1600	46.0	34.1	13.00	11.00	
ERCS0601BB	1600 2000	21,24	FC/MC/PC/UC60	1800	55.0	39.6	13.00	11.00	
		24	MC61	1800	55.5	40.0	13.00	11.00	
		24	HC60	1800	55.0	39.6	13.00	11.00	
		-	HD60	1800	55.0	39.9	13.00	11.00	
HABD-(T,W)060S	1600 2000	21,24	FC/MC/PC/UC60	1800	54.5	39.3	13.00	11.00	
		24	MC61	1800	55.0	39.7	13.00	11.00	
		24	HC60	1800	54.5	39.3	13.00	11.00	
		-	HD60	1800	54.5	39.6	13.00	11.00	

1. Requires a 2FD06700224 Blower Time Delay unless a standard furnace is equipped with one.

** Refer to Quick Selection Chart for specific furnace match-up.

COOLING CAPACITY - With Variable Speed Furnaces

UNIT MODEL	VARIABLE SPEED FURNACE MODEL	COIL MODEL ¹	W	COOLING					
				RATED CFM	NET MBH		SEER	EER	ARI #
					TOTAL	SENS.			
1 PH 13 SEER AC WITH VARIABLE SPEED FURNACES²									
ERCS0181BB	(F,L)C8V*A12	FC/MC/PC18A	14	600	17.8	11.9	14.00	11.50	
	FC9V*A12	FC/MC/PC18A	14	600	17.8	11.8	14.00	11.50	
	FC9(C,V)*B12	FC/MC/PC18B	17	600	17.8	11.8	14.00	11.50	
	(F,L)C8V*A12	FC/MC/PC24A	14	600	18.0	12.1	14.00	11.50	
	FC9V*A12	FC/MC/PC24A	14	600	18.0	12.0	14.00	11.50	
	FC9(C,V)*B12	FC/MC/PC24B	17	600	18.0	12.0	14.00	11.50	
	(F,L)C8V*A12	HC18	14	600	17.8	11.9	14.00	11.50	
	FC9V*A12	HC18	14	600	17.8	11.8	14.00	11.50	
	(F,L)C8V*A12	HD24	-	600	18.0	12.2	14.00	11.50	
FC9V*A12	HD24	-	600	18.0	12.2	14.00	11.50		
ERCS0241BB	(F,L)C8V*A12	FC/MC/PC24A	14	800	23.2	16.7	14.00	11.50	
	(F,L)C8V*B16	FC/MC/PC24B	17	800	23.4	16.8	14.00	11.50	
	FC9V*A12	FC/MC/PC24A	14	800	23.2	16.7	14.00	11.50	
	FC9(C,V)*B12	FC/MC/PC24B	17	800	23.2	16.7	14.00	11.50	
	(F,L)C8V*A12	FC/MC/PC30A	14	800	23.2	16.8	14.00	11.50	
	(F,L)C8V*B16	FC/MC/PC30B	17	800	23.4	16.8	14.00	11.50	
	FC9V*A12	FC/MC/PC30A	14	800	23.2	16.8	14.00	11.50	
	FC9(C,V)*B12	FC/MC/PC30B	17	800	23.2	16.8	14.00	11.50	
	(F,L)C8V*A12	HC30	14	800	23.6	17.1	14.00	11.50	
	FC9V*A12	HC30	14	800	23.6	17.0	14.00	11.50	
	(F,L)C8V*A12	HD24	-	800	23.8	17.3	14.00	11.50	
FC9V*A12	HD24	-	800	23.8	17.3	14.00	11.50		
ERCS0301BB	(F,L)C8V*A12	FC/MC/PC30A	14	1000	30.0	21.1	13.50	11.00	
	(F,L)C8V*B16	FC/MC/PC30B	17	1000	30.0	21.4	14.00	11.50	
	FC9V*A12	FC/MC/PC30A	14	1000	29.8	21.1	13.50	11.00	
	FC9(C,V)*B12	FC/MC/PC30B	17	1000	30.0	21.1	13.50	11.00	
	(F,L)C8V*A12	FC/MC/PC36A	14	1000	30.0	21.5	13.50	11.00	
	(F,L)C8V*B16	FC/MC/PC36B	17	1000	30.0	21.6	14.00	11.50	
	(F,L)C8V*C16	FC/MC/PC36C	21	1000	30.0	21.6	14.00	11.50	
	(F,L)C8V*C20	FC/MC/PC36C	21	1000	30.0	21.6	14.00	11.50	
	FC9V*A12	FC/MC/PC36A	14	1000	30.0	21.5	13.50	11.00	
	FC9(C,V)*B12	FC/MC/PC36B	17	1000	30.0	21.5	13.75	11.00	
	FC9(C,V)*C16	FC/MC/PC36C	21	1000	30.0	21.5	14.00	11.50	
	FC9(C,V)*C20	FC/MC/PC36C	21	1000	30.0	21.5	14.00	11.50	
	(F,L)C8V*A12	HC30	14	1000	30.0	21.7	14.00	11.50	
	FC9V*A12	HC30	14	1000	30.0	21.7	14.00	11.50	
	(F,L)C8V*B16	HC36	17	1000	30.0	22.1	14.00	11.50	
	FC9(C,V)*B12	HC36	17	1000	30.0	22.0	14.00	11.50	
	(F,L)C8V*A12	HD36	-	1000	30.0	22.1	14.00	11.50	
	(F,L)C8V*B16	HD36	-	1000	30.0	22.2	14.00	11.50	
	(F,L)C8V*C16	HD36	-	1000	30.0	22.3	14.00	11.50	
	(F,L)C8V*C20	HD36	-	1000	30.0	22.3	14.00	11.50	
	FC9V*A12	HD36	-	1000	30.0	22.1	14.00	11.50	
	FC9(C,V)*B12	HD36	-	1000	30.0	22.2	14.00	11.50	
	FC9(C,V)*C16	HD36	-	1000	30.0	22.2	14.00	11.50	
FC9(C,V)*C20	HD36	-	1000	30.0	22.2	14.00	11.50		

For Notes See Page12.

COOLING CAPACITY - With Variable Speed Furnaces (Continued)

UNIT MODEL	VARIABLE SPEED FURNACE MODEL	COIL MODEL ¹	W	COOLING					
				RATED CFM	NET MBH		SEER	EER	ARI #
					TOTAL	SENS.			
1 PH 13 SEER AC WITH VARIABLE SPEED FURNACES²									
ERCS0361BB	(F,L)C8V*A12	FC/MC/PC36A	14	1200	35.0	25.4	13.00	11.00	
	(F,L)C8V*B16	FC/MC/PC36B	17	1200	35.2	25.6	13.75	11.00	
	(F,L)C8V*C16	FC/MC/PC36C	21	1200	35.2	25.6	14.00	11.50	
	(F,L)C8V*C20	FC/MC/PC36C	21	1200	35.2	25.6	14.00	11.50	
	FC9V*A12	FC/MC/PC36A	14	1200	34.8	25.4	13.00	11.00	
	FC9(C,V)*B12	FC/MC/PC36B	17	1200	35.0	25.5	13.25	11.00	
	FC9(C,V)*C16	FC/MC/PC36C	21	1200	35.2	25.6	13.75	11.00	
	FC9(C,V)*C20	FC/MC/PC36C	21	1200	35.2	25.6	14.00	11.50	
	(F,L)C8V*B16	HC36	17	1200	36.0	26.6	14.00	11.50	
	FC9(C,V)*B12	HC36	17	1200	36.0	26.5	13.75	11.00	
	(F,L)C8V*A12	HD36	-	1200	36.0	26.7	13.50	11.00	
	(F,L)C8V*B16	HD36	-	1200	36.0	26.8	14.00	11.50	
	(F,L)C8V*C16	HD36	-	1200	36.0	26.8	14.00	11.50	
	(F,L)C8V*C20	HD36	-	1200	36.0	26.8	14.00	11.50	
	FC9V*A12	HD36	-	1200	36.0	26.7	13.50	11.00	
	FC9(C,V)*B12	HD36	-	1200	36.0	26.7	14.00	11.50	
	FC9(C,V)*C16	HD36	-	1200	36.0	26.8	14.00	11.50	
	FC9(C,V)*C20	HD36	-	1200	36.0	26.8	14.00	11.50	
ERCS0421BB	(F,L)C8V*B16	FC/MC/PC42B	17	1400	40.5	29.7	13.50	11.00	
	(F,L)C8V*C16	FC/MC/PC42C	21	1400	40.5	29.7	13.50	11.00	
	(F,L)C8V*C20	FC/MC/PC42C	21	1400	40.5	29.7	13.50	11.00	
	(F,L)C8V*C16	FC/MC/PC48C	21	1400	41.5	30.1	13.75	11.00	
	(F,L)C8V*C20	FC/MC/PC48C	21	1400	41.5	30.1	14.00	11.50	
	FC9(C,V)*C16	FC/MC/PC48C	21	1400	41.5	30.1	13.50	11.00	
	FC9(C,V)*C20	FC/MC/PC48C	21	1400	41.5	30.1	13.75	11.00	
	FC9(C,V)*D20	FC/MC/PC48D	24	1400	41.5	30.1	13.50	11.00	
	(F,L)C8V*C16	HC42	21	1400	41.0	30.0	13.50	11.00	
	(F,L)C8V*C20	HC42	21	1400	41.5	30.1	13.75	11.00	
	FC9(C,V)*C16	HC42	21	1400	41.0	30.0	13.50	11.00	
	FC9(C,V)*C20	HC42	21	1400	41.0	30.1	13.75	11.00	
	(F,L)C8V*C16	HD48	-	1400	42.0	30.6	14.00	11.50	
	(F,L)C8V*C20	HD48	-	1400	42.0	30.6	14.00	11.50	
	FC9(C,V)*C16	HD48	-	1400	42.0	30.5	13.75	11.00	
	FC9(C,V)*C20	HD48	-	1400	42.0	30.6	14.00	11.50	
	FC9(C,V)*D20	HD48	-	1400	42.0	30.5	14.00	11.50	
	ERCS0481BB	(F,L)C8V*C16	FC/MC/PC48C	21	1500	46.5	34.2	13.00	11.00
(F,L)C8V*C20		FC/MC/PC48C	21	1600	47.0	35.2	13.00	11.00	
FC9(C,V)*C16		FC/MC/PC48C	21	1600	47.0	35.2	13.00	11.00	
FC9(C,V)*C20		FC/MC/PC48C	21	1600	47.0	35.2	13.00	11.00	
FC9(C,V)*D20		FC/MC/PC48D	24	1600	47.0	35.2	13.25	11.00	
(F,L)C8V*C16		HD48	-	1500	47.0	34.6	13.25	11.00	
(F,L)C8V*C20		HD48	-	1600	47.0	35.8	13.50	11.00	
FC9(C,V)*C16		HD48	-	1600	47.0	35.7	13.00	11.00	
FC9(C,V)*C20		HD48	-	1600	47.0	35.7	13.25	11.00	
FC9(C,V)*D20		HD48	-	1600	47.0	35.8	13.50	11.00	

For Notes See Page 12.

COOLING CAPACITY - With Variable Speed Furnaces (Continued)

UNIT MODEL	VARIABLE SPEED FURNACE MODEL	COIL MODEL ¹	W	COOLING					
				RATED CFM	NET MBH		SEER	EER	ARI #
					TOTAL	SENS.			
1 PH 13 SEER AC WITH VARIABLE SPEED FURNACES²									
ERCS0601BB	(F,L)C8V*C20	FC/PC60C	21	1730	54.0	38.9	13.00	11.00	
	FC9(C,V)*C20	FC/PC60C	21	1620	54.5	37.9	13.00	11.00	
	FC9(C,V)*D20	FC/MC/PC60D	24	1620	54.5	37.9	13.25	11.00	
	(F,L)C8V*C20	MC61	24	1730	55.0	39.3	13.00	11.00	
	FC9(C,V)*C20	MC61	24	1620	54.0	38.0	13.00	11.00	
	FC9(C,V)*D20	MC61	24	1620	55.0	38.1	13.25	11.00	
	(F,L)C8V*C20	HC60	24	1730	54.0	38.9	13.00	11.00	
	FC9(C,V)*D20	HC60	24	1620	54.5	37.9	13.25	11.00	
	(F,L)C8V*C20	HD60	-	1730	55.0	39.1	13.00	11.00	
	FC9(C,V)*C20	HD60	-	1620	54.5	38.0	13.00	11.00	
FC9(C,V)*D20	HD60	-	1620	54.0	38.1	13.25	11.00		

1. MC coils available with a factory installed horizontal drain pan. See price pages for specific model number.
2. Variable speed furnaces have B.O.D (Blower on Delay) standard.

ACCESSORIES

Refer to Price Manual for specific model numbers.

HARD START KIT - Provides increased starting torque for areas with low voltage.

COMPRESSOR BLANKET - Designed to further reduce the normal compressor operating sound. Refer to price pages for specific match-ups.

OFF CYCLE TIMER DELAY - Provides a 5-minute off cycle to prevent rapid recycling of the compressor.

ROOM THERMOSTATS - A wide selection of compatible thermostats are available to provide optimum performance and features for any installation.

1H/1C, manual changeover electronic non-programmable thermostat.

1H/1C, auto/manual changeover, electronic programmable, deluxe 7-day, thermostat.

1H/1C, auto/manual changeover, electronic programmable.

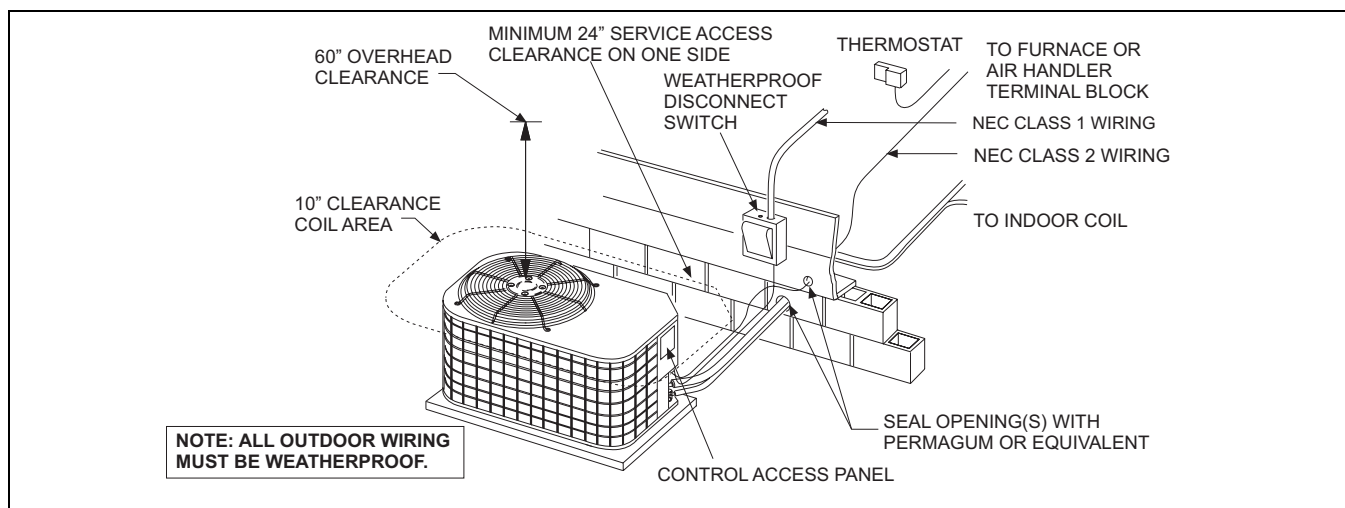
* For the most current accessory information, refer to the price book or consult factory.

SOUND POWER RATINGS*

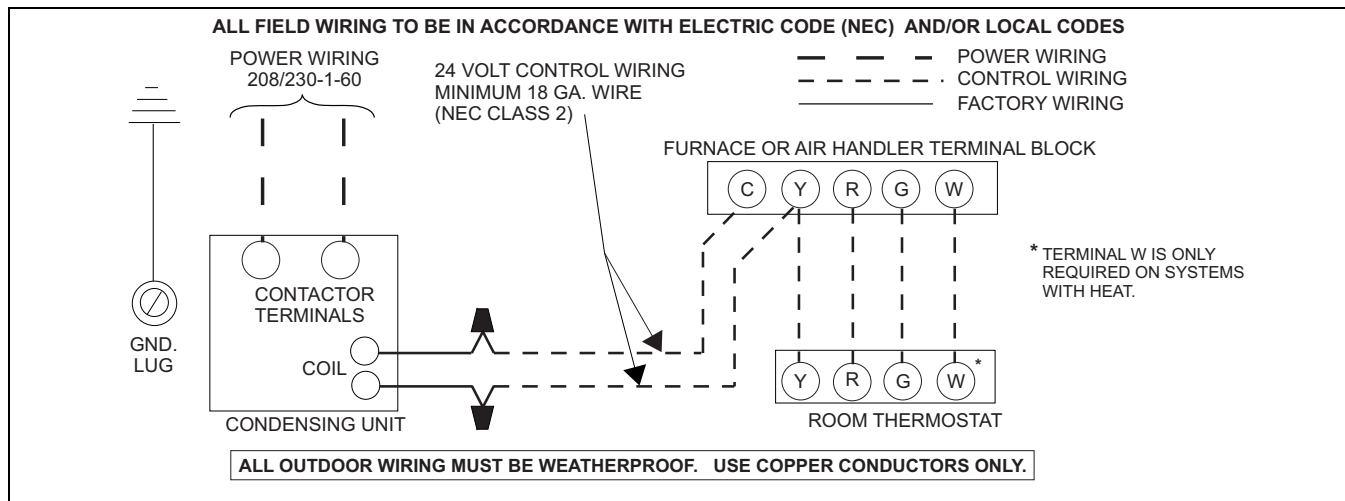
UNIT MODEL	(dBA)
018	75
024	74
030	75
036	75
042	76
048	76
060	76

* Rated in accordance with ARI 270-95 Standards.

TYPICAL INSTALLATION



TYPICAL FIELD WIRING - 1 Phase Application



COOLING PERFORMANCE DATA																
AIR CONDITIONER MODEL NO.		ERCS0181BB														
INDOOR COIL MODEL NO.		FC/MC/PC/UC18														
CONDENSING ENTERING AIR TEMPERATURE	IDCFM	450					600					750				
	ID DB (°F)	80	80	75	80	80	80	80	75	80	80	80	80	75	80	80
	ID WB (°F)	57	62	62	67	72	57	62	62	67	72	57	62	62	67	72
65	T.C.	15.4	17.8	18.0	21.0	22.6	17.3	18.9	18.8	21.1	22.6	19.2	19.9	19.5	21.2	22.7
	S.C.	15.1	13.5	11.8	12.2	9.6	17.0	15.8	13.2	13.3	10.0	18.9	18.2	14.5	14.4	10.5
	KW	1.0	1.0	1.0	1.0	1.0	1.0	1.0	1.0	1.0	1.0	1.0	1.0	1.0	1.0	1.0
75	T.C.	14.6	16.8	16.8	19.4	21.2	16.3	17.6	17.4	19.6	21.3	17.9	18.4	18.0	19.8	21.4
	S.C.	14.4	13.0	11.1	11.5	9.1	16.0	15.1	12.5	12.6	9.5	17.6	17.2	13.8	13.6	10.0
	KW	1.1	1.1	1.1	1.1	1.1	1.1	1.1	1.1	1.1	1.1	1.1	1.1	1.1	1.1	1.1
85	T.C.	13.9	15.8	15.5	17.9	19.9	15.3	16.4	16.0	18.1	19.9	16.6	17.0	16.6	18.3	20.0
	S.C.	13.7	12.5	10.5	10.7	8.6	15.0	14.3	11.7	11.8	9.0	16.4	16.1	13.0	12.9	9.4
	KW	1.2	1.2	1.2	1.2	1.2	1.2	1.2	1.2	1.2	1.2	1.2	1.2	1.2	1.2	1.2
95	T.C.	13.2	14.7	14.2	16.4	18.5	14.3	15.1	14.7	17.5	18.6	15.3	15.5	15.1	16.8	18.7
	S.C.	13.0	12.0	9.8	9.9	8.1	14.1	13.6	11.0	11.7	8.5	15.1	15.1	12.3	12.1	8.9
	KW	1.2	1.3	1.3	1.3	1.3	1.3	1.3	1.3	1.3	1.3	1.3	1.3	1.3	1.3	1.3
105	T.C.	12.3	13.5	13.1	15.2	17.1	13.2	13.9	13.4	15.3	17.1	14.1	14.2	13.8	15.4	17.1
	S.C.	12.1	11.5	9.3	9.5	7.5	13.0	12.7	10.5	10.5	8.0	13.9	13.9	11.7	11.6	8.4
	KW	1.3	1.3	1.3	1.4	1.4	1.4	1.4	1.4	1.4	1.4	1.4	1.4	1.4	1.4	1.4
115	T.C.	11.4	12.3	12.0	14.0	15.7	12.1	12.7	12.2	14.0	15.6	12.8	13.0	12.5	13.9	15.5
	S.C.	11.2	11.0	8.8	9.1	7.0	11.9	11.9	10.0	10.1	7.4	12.6	12.7	11.2	11.1	7.8
	KW	1.4	1.4	1.4	1.4	1.5	1.4	1.4	1.4	1.5	1.5	1.5	1.5	1.4	1.5	1.5
125	T.C.	10.5	11.1	10.9	12.8	14.3	11.0	11.4	11.0	12.6	14.1	11.6	11.7	11.2	12.5	13.9
	S.C.	10.3	10.5	8.4	8.6	6.5	10.9	11.1	9.5	9.6	6.9	11.4	11.6	10.7	10.6	7.3
	KW	1.5	1.5	1.5	1.5	1.6	1.5	1.5	1.5	1.5	1.6	1.6	1.6	1.5	1.6	1.6

NOTE: ALL CAPACITIES INCLUDE INDOOR FAN HEAT AT 1250 BTUH/1000 CFM.

Multipliers for determining the performance with other indoor sections.

NOTE: For dry bulb temperatures different than those listed (between 73-87 F), sensible capacity increases by 1060 BTUH per 1000 CFM per degree above the listed temperature and decreases by 1060 BTUH per 1000 CFM per degree below the listed temperature.

Air Handler	Coil	T.C.	S.C.	KW
MA08B	MC18B	1.00	1.00	1.00
MA08B	MC24B	1.01	1.02	1.01
AHP18	–	1.01	1.05	1.01
AHP24	–	1.02	1.07	1.02
F*FP024	–	1.00	1.04	1.00
MV12B	FC/MC18B	1.01	1.00	0.97
MV12B	FC/MC24B	1.03	1.01	0.98
AV24	–	1.03	1.01	0.98
–	FC/MC/PC/UC24	1.01	1.02	1.01
–	HC18	1.00	1.00	1.00
–	HD24	1.03	1.03	1.03
–	MH30S	1.01	1.02	1.01

Variable Speed Furnace	Coil	T.C.	S.C.	KW
(F,L)C8V*A12	FC/MC/PC18A	1.02	1.02	0.97
FC9V*A12	FC/MC/PC18A	1.02	1.01	0.97
FC9(C,V)*B12	FC/MC/PC18B	1.02	1.01	0.97
(F,L)C8V*A12	FC/MC/PC24A	1.03	1.03	0.98
FC9V*A12	FC/MC/PC24A	1.03	1.03	0.98
FC9(C,V)*B12	FC/MC/PC24B	1.03	1.03	0.98
(F,L)C8V*A12	HC18	1.02	1.02	0.97
FC9V*A12	HC18	1.02	1.01	0.97
(F,L)C8V*A12	HD24	1.03	1.04	0.98
FC9V*A12	HD24	1.03	1.04	0.98

COOLING PERFORMANCE DATA																
AIR CONDITIONER MODEL NO.		ERCS0241BB														
INDOOR COIL MODEL NO.		FC/MC/PC/UC24														
CONDENSING ENTERING AIR TEMPERATURE	IDCFM	600					800					1000				
	ID DB (°F)	80	80	75	80	80	80	80	75	80	80	80	80	75	80	80
	ID WB (°F)	57	62	62	67	72	57	62	62	67	72	57	62	62	67	72
75	T.C.	21.8	23.8	23.8	25.7	28.3	24.1	25.1	25.1	26.8	29.8	21.8	26.5	26.5	28.0	31.3
	S.C.	21.8	19.5	15.2	16.6	13.6	24.1	23.0	17.6	19.1	15.6	20.4	26.4	19.9	21.6	17.5
	KW	1.60	1.62	1.62	1.65	1.67	1.70	1.71	1.71	1.73	1.75	1.60	1.79	1.79	1.81	1.84
85	T.C.	20.4	21.9	21.9	24.2	26.4	21.4	23.6	23.6	25.3	27.7	22.5	25.3	25.3	26.3	29.0
	S.C.	20.4	18.6	14.2	16.1	13.0	21.4	21.8	16.4	18.7	14.9	22.1	25.0	18.5	21.3	16.8
	KW	1.71	1.72	1.72	1.77	1.79	1.77	1.82	1.82	1.85	1.88	1.83	1.91	1.91	1.94	1.97
95	T.C.	19.0	20.0	20.0	22.7	24.5	21.6	22.1	22.1	23.8	25.7	23.2	24.1	24.1	24.7	26.8
	S.C.	18.7	17.6	13.3	15.5	12.3	21.2	20.6	15.2	16.6	14.2	23.2	23.6	17.1	21.0	16.0
	KW	1.81	1.82	1.82	1.88	1.92	1.93	1.93	1.93	1.98	2.01	2.05	2.04	2.04	2.06	2.11
105	T.C.	17.6	18.1	18.1	21.2	22.6	20.8	20.5	20.5	22.1	23.6	23.9	22.9	22.9	23.1	24.6
	S.C.	17.6	16.7	12.3	15.0	11.7	20.3	19.4	14.0	17.8	13.5	23.9	22.2	15.7	20.7	15.3
	KW	1.92	1.92	1.92	2.00	2.04	2.09	2.04	2.04	2.09	2.14	2.27	2.16	2.16	2.19	2.25
115	T.C.	19.3	17.0	17.0	19.3	21.1	20.3	18.8	18.8	20.2	22.0	21.2	20.7	20.7	21.1	22.9
	S.C.	19.3	16.0	11.7	14.2	11.2	20.3	18.2	12.8	16.8	13.1	21.2	20.5	14.0	19.4	14.9
	KW	2.10	2.01	2.01	2.10	2.16	2.21	2.14	2.14	2.20	2.26	2.32	2.28	2.28	2.30	2.37
125	T.C.	15.4	15.8	15.8	17.4	19.6	17.0	17.2	17.2	18.3	20.4	18.5	18.5	18.5	19.2	21.2
	S.C.	15.4	15.4	11.1	13.5	10.7	17.0	17.1	11.7	15.8	12.7	18.5	18.5	12.2	18.0	14.6
	KW	2.09	2.09	2.09	2.19	2.28	2.24	2.24	2.24	2.30	2.39	2.37	2.39	2.39	2.41	2.49

NOTE: ALL CAPACITIES INCLUDE INDOOR FAN HEAT AT 1250 BTUH/1000 CFM.

Multipliers for determining the performance with other indoor sections.

NOTE: For dry bulb temperatures different than those listed (between 73-87 F), sensible capacity increases by 1060 BTUH per 1000 CFM per degree above the listed temperature and decreases by 1060 BTUH per 1000 CFM per degree below the listed temperature.

Air Handler	Coil	T.C.	S.C.	KW
MA08B	MC24B	1.00	1.00	1.00
MA08B	MC30B	1.00	1.00	1.00
AHP24	–	1.02	1.01	1.00
AHP30	–	1.02	1.02	1.03
F*FP030	–	1.02	1.01	1.00
MV12B	FC/MC24B	1.02	0.99	0.97
MV12B	FC/MC30B	1.02	0.99	0.97
AV24	–	1.02	0.99	0.97
–	FC/MC/PC/UC30	1.00	1.00	1.00
–	HC30	1.02	1.02	1.02
–	HD24	1.03	1.04	1.02
–	MH30S	1.00	1.02	1.00

Variable Speed Furnace	Coil	T.C.	S.C.	KW
(F,L)C8V*A12	FC/MC/PC24A	1.01	1.01	0.96
FC9V*A12	FC/MC/PC/24A	1.01	1.01	0.97
(F,L)C8V*B16	FC/MC/PC/24B	1.01	1.01	0.96
FC9(C,V)*B12	FC/MC/PC24B	1.01	1.01	0.96
(F,L)C8V*A12	FC/MC/PC30A	1.01	1.01	0.96
FC9V*A12	FC/MC/PC30A	1.01	1.01	0.97
(F,L)C8V*B16	FC/MC/PC30B	1.01	1.01	0.96
FC9(C,V)*B12	FC/MC/PC30B	1.01	1.01	0.96
(F,L)C8V*A12	HC30	1.02	1.03	0.98
FC9V*A12	HC30	1.02	1.02	0.98
(F,L)C8V*A12	HD24	1.04	1.04	0.99
FC9V*A12	HD24	1.04	1.04	0.99

COOLING PERFORMANCE DATA																
AIR CONDITIONER MODEL NO.		ERCS0301BB, HABD-(T,W)030S**														
INDOOR COIL MODEL NO.		FC/MC/PC/UC30														
CONDENSING ENTERING AIR TEMPERATURE	IDCFM	800					1000					1200				
	ID DB (°F)	80	80	75	80	80	80	80	75	80	80	80	80	75	80	80
	ID WB (°F)	57	62	62	67	72	57	62	62	67	72	57	62	62	67	72
65	T.C.	27.0	31.8	30.1	33.7	35.6	29.0	33.4	31.3	35.1	36.7	31.1	35.0	32.6	36.5	37.7
	S.C.	26.9	24.7	20.6	21.2	16.0	29.0	27.7	22.9	23.4	17.7	31.1	30.7	25.2	25.6	19.5
	KW	1.8	1.8	1.8	1.8	1.8	1.8	1.8	1.8	1.8	1.8	1.8	1.8	1.8	1.8	1.8
75	T.C.	25.9	30.3	28.7	32.1	33.6	27.9	31.9	29.9	33.4	34.5	29.8	33.5	31.1	34.7	35.4
	S.C.	25.9	24.2	20.0	20.5	15.6	27.8	27.0	22.3	22.7	17.2	29.8	29.8	24.5	24.9	18.8
	KW	1.9	1.9	1.9	2.0	2.0	1.9	1.9	1.9	2.0	2.0	2.0	1.9	2.0	2.0	2.0
85	T.C.	24.9	28.8	27.2	30.4	31.7	26.7	30.4	28.4	31.7	32.4	28.6	32.0	29.6	32.9	33.1
	S.C.	24.9	23.7	19.5	19.7	15.2	26.7	26.3	21.7	21.9	16.7	28.5	28.9	23.9	24.1	18.1
	KW	2.1	2.1	2.1	2.1	2.1	2.1	2.1	2.1	2.1	2.2	2.1	2.1	2.1	2.1	2.2
95	T.C.	23.8	27.4	25.8	28.7	29.7	25.6	28.9	26.9	30.0	30.2	27.3	30.5	28.1	31.2	30.7
	S.C.	23.8	23.2	18.9	18.9	14.8	25.5	25.6	21.1	21.2	16.2	27.3	28.1	23.3	23.4	17.5
	KW	2.2	2.2	2.2	2.3	2.3	2.2	2.2	2.2	2.3	2.3	2.3	2.3	2.2	2.3	2.3
105	T.C.	22.8	25.9	24.3	27.1	27.8	24.4	27.5	25.3	28.2	28.2	26.0	29.1	26.4	29.3	28.5
	S.C.	22.7	22.4	18.3	18.3	14.1	24.3	24.5	20.4	20.5	15.4	25.9	26.5	22.6	22.6	16.6
	KW	2.4	2.4	2.4	2.4	2.5	2.4	2.4	2.4	2.4	2.5	2.4	2.4	2.4	2.5	2.5
115	T.C.	21.8	24.5	22.8	25.5	25.9	23.2	26.1	23.7	26.5	26.1	24.7	27.8	24.7	27.4	26.4
	S.C.	21.7	21.6	17.6	17.7	13.5	23.2	23.3	19.7	19.8	14.6	24.7	25.0	21.8	21.9	15.8
	KW	2.5	2.5	2.5	2.6	2.6	2.6	2.5	2.5	2.6	2.7	2.6	2.6	2.5	2.6	2.7
125	T.C.	20.8	23.0	21.3	23.9	24.0	22.1	24.8	22.2	24.7	24.1	23.4	26.5	23.0	25.6	24.3
	S.C.	20.6	20.9	17.0	17.1	12.8	22.0	22.2	19.0	19.1	13.9	23.4	23.5	21.1	21.1	15.1
	KW	2.7	2.7	2.6	2.7	2.8	2.7	2.7	2.7	2.7	2.8	2.8	2.7	2.7	2.8	2.8

NOTE: ALL CAPACITIES INCLUDE INDOOR FAN HEAT AT 1250 BTUH/1000 CFM.

** For three-phase, decrease T.C. by 0.6 and S.C. by 0.3.

Multipliers for determining the performance with other indoor sections.

NOTE: For dry bulb temperatures different than those listed (between 73-87 F), sensible capacity increases by 1060 BTUH per 1000 CFM per degree above the listed temperature and decreases by 1060 BTUH per 1000 CFM per degree below the listed temperature.

Air Handler	Coil	T.C.	S.C.	KW
MA12B	MC30B	1.00	1.00	1.00
MA12B	MC36B	1.00	1.01	1.00
AHP30	-	1.01	1.04	1.01
AHP36	-	1.01	1.08	1.01
F*FP036	-	1.00	1.01	1.00
MV12B*	FC/MC30B	1.01	1.00	0.97
MV12B*	FC/MC36B	1.01	1.01	0.97
MV16C*	FC/MC36C	1.01	1.01	0.97
AV36*	-	1.01	1.01	0.97
-	FC/MC/PC/UC36	1.00	1.01	1.00
-	HC30	1.00	1.03	1.00
-	HC36	1.01	1.04	1.01
-	HD36	1.01	1.05	1.01
-	MH30S	1.01	1.04	1.01

* = Single-phase outdoor units only.

Variable Speed Furnace *	Coil	T.C.	S.C.	KW
(F,L)C8V*A12	FC/MC/PC30A	1.01	1.00	1.01
FC9V*A12	FC/MC/PC30A	1.01	1.02	0.97
(F,L)C8V*B16	FC/MC/PC30B	1.01	1.00	1.01
FC9(C,V)*B12	FC/MC/PC30B	1.01	1.00	1.01
(F,L)C8V*A12	FC/MC/PC36A	1.01	1.02	1.01
FC9V*A12	FC/MC/PC36A	1.01	1.03	0.97
(F,L)C8V*B16	FC/MC/PC36B	1.01	1.03	0.97
FC9(C,V)*B12	FC/MC/PC36B	1.01	1.03	0.97
(F,L)C8V*C16	FC/MC/PC36C	1.01	1.02	1.01
(F,L)C8V*C20	FC/MC/PC36C	1.01	1.02	1.01
FC9(C,V)*C16	FC/MC/PC36C	1.01	1.02	0.97
FC9(C,V)*C20	FC/MC/PC36C	1.01	1.02	0.97
(F,L)C8V*A12	HC30	1.01	1.03	0.97
FC9V*A12	HC30	1.01	1.03	0.97
(F,L)C8V*B16	HC36	1.01	1.05	0.97
FC9(C,V)*B12	HC36	1.01	1.05	0.97
(F,L)C8V*A12	HD36	1.01	1.05	0.97
(F,L)C8V*B16	HD36	1.01	1.06	0.97
(F,L)C8V*C16	HD36	1.01	1.06	0.97
(F,L)C8V*C20	HD36	1.01	1.06	0.97
FC9V*A12	HD36	1.01	1.05	0.97
FC9(C,V)*B12	HD36	1.01	1.06	0.97
FC9(C,V)*C16	HD36	1.01	1.06	0.97
FC9(C,V)*C20	HD36	1.01	1.06	0.97

* = Single-phase outdoor units only.

COOLING PERFORMANCE DATA																
AIR CONDITIONER MODEL NO.		ERCS0361BB, HABD-(T,W)036S**														
INDOOR COIL MODEL NO.		FC/MC/PC/UC36														
CONDENSING ENTERING AIR TEMPERATURE	IDCFM	1000					1200					1400				
	ID DB (°F)	80	80	75	80	80	80	80	75	80	80	80	80	75	80	80
	ID WB (°F)	57	62	62	67	72	57	62	62	67	72	57	62	62	67	72
65	T.C.	35.0	35.7	34.7	38.9	40.5	37.2	37.2	35.8	40.0	41.4	39.3	38.8	36.9	41.1	42.3
	S.C.	32.1	30.0	25.0	25.8	19.7	33.8	32.8	27.5	28.1	21.3	35.6	35.7	29.9	30.4	22.9
	KW	2.0	2.0	2.0	2.0	2.1	2.0	2.0	2.0	2.0	2.1	2.0	2.0	2.0	2.0	2.1
75	T.C.	33.3	34.2	33.1	37.0	38.7	35.6	35.9	34.3	38.1	39.5	38.0	37.6	35.4	39.1	40.4
	S.C.	30.5	29.0	24.3	24.9	19.2	32.3	31.7	26.7	27.2	20.7	34.2	34.4	29.1	29.5	22.3
	KW	2.2	2.2	2.2	2.2	2.3	2.2	2.2	2.2	2.2	2.3	2.2	2.2	2.2	2.2	2.3
85	T.C.	31.6	32.6	31.6	35.1	36.8	34.1	34.5	32.8	36.1	37.7	36.6	36.3	34.0	37.1	38.5
	S.C.	28.8	28.0	23.5	24.0	18.6	30.8	30.6	25.9	26.4	20.2	32.9	33.2	28.4	28.7	21.8
	KW	2.3	2.4	2.4	2.4	2.5	2.4	2.4	2.4	2.4	2.5	2.4	2.4	2.4	2.4	2.5
95	T.C.	29.9	31.1	30.0	33.2	35.0	32.5	33.1	31.3	34.8	35.8	35.2	35.1	32.5	35.1	36.6
	S.C.	27.2	27.0	22.7	23.1	18.0	29.3	29.5	25.2	25.4	19.6	31.5	31.9	27.6	27.9	21.2
	KW	2.5	2.5	2.5	2.6	2.7	2.5	2.6	2.6	2.6	2.7	2.6	2.6	2.6	2.6	2.7
105	T.C.	28.8	29.5	28.1	31.1	32.6	31.0	31.3	29.2	32.0	33.3	33.3	33.2	30.3	33.0	34.0
	S.C.	26.1	25.9	21.7	22.2	17.3	27.9	28.0	24.0	24.5	18.8	29.7	30.1	26.3	26.9	20.4
	KW	2.7	2.7	2.7	2.8	2.9	2.7	2.8	2.7	2.8	2.9	2.8	2.8	2.8	2.8	2.9
115	T.C.	27.7	27.9	26.3	29.1	30.4	29.6	29.6	27.2	30.0	30.9	31.5	31.3	28.2	30.9	31.4
	S.C.	25.0	24.9	20.7	21.3	16.6	26.5	26.6	22.9	23.6	18.1	28.0	28.4	25.0	25.9	19.6
	KW	2.9	2.9	2.9	3.0	3.1	2.9	2.9	2.9	3.0	3.1	3.0	3.0	2.9	3.0	3.1
125	T.C.	26.6	26.3	24.4	27.0	28.1	28.2	27.9	25.3	27.9	28.4	29.7	29.5	26.1	28.8	28.8
	S.C.	24.0	23.8	19.8	20.4	15.9	25.1	25.3	21.7	22.7	17.3	26.2	26.7	23.7	25.0	18.8
	KW	3.1	3.1	3.0	3.1	3.3	3.1	3.1	3.1	3.2	3.3	3.2	3.2	3.1	3.2	3.3

NOTE: ALL CAPACITIES INCLUDE INDOOR FAN HEAT AT 1250 BTUH/1000 CFM.
****** For three-phase, decrease T.C. by 0.3 and S.C. by 0.2.

Multipliers for determining the performance with other indoor sections.

NOTE: For dry bulb temperatures different than those listed (between 73-87 F), sensible capacity increases by 1060 BTUH per 1000 CFM per degree above the listed temperature and decreases by 1060 BTUH per 1000 CFM per degree below the listed temperature.

Air Handler	Coil	T.C.	S.C.	KW
MA12B	FC/MC36B	1.00	1.00	1.00
AHP36	–	1.01	1.07	1.01
AHP42	–	1.01	1.08	1.01
AHP/SHP60	–	1.03	1.05	0.99
F*FP040	–	1.00	1.00	1.00
MV12B*	FC/MC36B	1.01	0.98	1.01
MV16C*	FC/MC36C	1.01	0.99	0.97
AV36*	–	1.01	0.99	0.97
AV/SV48*	–	1.03	0.99	1.00
–	HC36	1.01	1.01	1.01
–	HD36	1.03	1.05	1.03
–	MH36S	1.01	1.05	1.01

* = Single-phase outdoor units only.

Variable Speed Furnace *	Coil	T.C.	S.C.	KW
(F,L)C8V*A12	FC/MC/PC36A	1.01	1.00	1.01
FC9V*A12	FC/MC/PC36A	1.00	1.00	1.00
(F,L)C8V*B16	FC/MC/PC36B	1.01	1.01	1.01
FC9(C,V)*B12	FC/MC/PC36B	1.01	1.00	1.01
(F,L)C8V*C16	FC/MC/PC36C	1.01	1.01	0.97
(F,L)C8V*C20	FC/MC/PC36C	1.01	1.01	0.97
FC9(C,V)*C16	FC/MC/PC36C	1.01	1.01	1.01
FC9(C,V)*C20	FC/MC/PC36C	1.01	1.01	0.97
(F,L)C8V*B16	HC36	1.03	1.05	0.99
FC9(C,V)*B12	HC36	1.03	1.04	1.03
(F,L)C8V*A12	HD36	1.03	1.05	1.03
(F,L)C8V*B16	HD36	1.03	1.06	0.99
(F,L)C8V*C16	HD36	1.03	1.06	0.99
(F,L)C8V*C20	HD36	1.03	1.06	0.99
FC9V*A12	HD36	1.03	1.05	1.03
FC9(C,V)*B12	HD36	1.03	1.05	0.99
FC9(C,V)*C16	HD36	1.03	1.06	0.99
FC9(C,V)*C20	HD36	1.03	1.06	0.99

* = Single-phase outdoor units only.

COOLING PERFORMANCE DATA																
AIR CONDITIONER MODEL NO.		ERCS0421BB, HABD-(T,W)042S**														
INDOOR COIL MODEL NO.		FC/MC/PC/UC42														
CONDENSING ENTERING AIR TEMPERATURE	IDCFM	1200					1400					1600				
	ID DB (°F)	80	80	75	80	80	80	80	75	80	80	80	80	75	80	80
	ID WB (°F)	57	62	62	67	72	57	62	62	67	72	57	62	62	67	72
65	T.C.	39.6	44.0	42.6	46.7	50.0	41.5	45.0	43.4	47.6	50.4	43.4	46.0	44.3	48.5	50.8
	S.C.	39.3	37.3	30.7	31.1	23.6	41.0	39.7	33.1	33.3	24.7	42.7	42.2	35.5	35.5	25.7
	KW	2.3	2.3	2.3	2.3	2.3	2.3	2.3	2.3	2.3	2.3	2.3	2.3	2.3	2.3	2.3
75	T.C.	38.0	41.8	40.3	44.4	47.2	40.0	42.9	41.1	45.2	47.7	41.9	43.9	41.9	46.0	48.1
	S.C.	37.6	36.1	29.8	30.0	22.7	39.3	38.5	32.0	32.2	23.8	40.9	40.8	34.2	34.4	24.8
	KW	2.5	2.5	2.5	2.5	2.6	2.5	2.5	2.5	2.5	2.6	2.5	2.5	2.5	2.5	2.6
85	T.C.	36.4	39.6	38.0	42.1	44.4	38.4	40.7	38.7	42.8	44.9	40.4	41.9	39.4	43.4	45.4
	S.C.	36.0	34.9	28.8	28.9	21.8	37.6	37.2	30.9	31.1	22.9	39.2	39.5	33.0	33.4	24.0
	KW	2.7	2.7	2.7	2.7	2.8	2.7	2.7	2.7	2.7	2.8	2.7	2.7	2.7	2.8	2.8
95	T.C.	34.7	37.4	35.7	39.8	41.6	36.9	38.6	36.3	40.5	42.2	39.0	39.8	36.9	40.9	42.8
	S.C.	34.3	33.8	27.8	27.8	20.8	35.9	36.0	29.8	29.6	22.0	37.4	38.2	31.7	32.3	23.1
	KW	2.9	2.9	2.9	3.0	3.1	2.9	2.9	2.9	3.0	3.1	2.9	2.9	2.9	3.0	3.1
105	T.C.	33.3	35.6	33.5	37.4	39.0	35.2	36.7	34.1	37.9	39.4	37.2	37.7	34.7	38.4	39.8
	S.C.	32.1	32.6	26.9	26.9	19.8	33.8	34.5	28.8	29.0	21.0	35.6	36.3	30.8	31.2	22.2
	KW	3.1	3.1	3.1	3.2	3.3	3.1	3.1	3.1	3.2	3.3	3.2	3.2	3.1	3.2	3.3
115	T.C.	31.9	33.8	31.4	35.1	36.4	33.6	34.7	31.9	35.6	36.6	35.4	35.7	32.5	36.0	36.8
	S.C.	31.4	31.5	26.0	26.0	18.9	32.6	33.0	27.9	28.0	20.1	33.8	34.5	29.8	30.1	21.3
	KW	3.3	3.3	3.3	3.4	3.5	3.4	3.4	3.3	3.4	3.5	3.4	3.4	3.4	3.4	3.6
125	T.C.	30.5	32.0	29.2	32.8	33.9	32.1	32.8	29.8	33.2	33.9	33.6	33.7	30.3	33.6	33.9
	S.C.	30.0	30.4	25.2	25.1	17.9	31.0	31.5	27.0	27.0	19.1	32.1	32.6	28.8	28.9	20.4
	KW	3.5	3.5	3.5	3.6	3.8	3.6	3.6	3.5	3.6	3.8	3.6	3.6	3.6	3.7	3.8

NOTE: ALL CAPACITIES INCLUDE INDOOR FAN HEAT AT 1250 BTUH/1000 CFM.

** For three-phase, decrease T.C. by 1.0 and S.C. by 0.7.

Multipliers for determining the performance with other indoor sections.

NOTE: For dry bulb temperatures different than those listed (between 73-87 F), sensible capacity increases by 1060 BTUH per 1000 CFM per degree above the listed temperature and decreases by 1060 BTUH per 1000 CFM per degree below the listed temperature.

Air Handler	Coil	T.C.	S.C.	KW
MA12C	MC42C	1.00	1.00	1.00
MA14D	MC42D	1.00	1.00	1.00
MA12C	MC48C	1.01	1.02	1.01
MA14D	MC48D	1.01	1.02	1.01
AHP42	—	1.01	1.05	1.01
AHP/SHP48	—	1.04	1.04	1.04
AHP/SHP60	—	1.00	1.12	0.96
MV16C*	FC/MC42C	1.00	0.98	1.00
MV16C*	FC/MC48C	1.02	1.00	0.98
MV20D*	FC/MC48D	1.02	1.01	0.98
AV/SV48*	—	1.00	0.98	1.00
—	FC/MC/PC/UC48	1.01	1.02	1.01
—	HC42	1.01	1.01	1.01
—	HD48	1.02	1.00	1.02
—	MH42S	0.99	1.09	0.99

* = Single-phase outdoor units only.

Variable Speed Furnace *	Coil	T.C.	S.C.	KW
(F,L)C8V*B16	FC/MC/PC42B	1.00	1.00	1.00
(F,L)C8V*C16	FC/MC/PC42C	1.00	1.00	1.00
(F,L)C8V*C20	FC/MC/PC42C	1.00	1.00	1.00
(F,L)C8V*C16	FC/MC/PC48C	1.02	1.02	1.02
(F,L)C8V*C20	FC/MC/PC48C	1.02	1.02	0.98
FC9(C,V)*C16	FC/MC/PC48C	1.02	1.02	1.02
FC9(C,V)*C20	FC/MC/PC48C	1.02	1.02	1.02
FC9(C,V)*D20	FC/MC/PC48D	1.02	1.02	1.02
(F,L)C8V*C16	HC42	1.01	1.01	1.01
(F,L)C8V*C20	HC42	1.02	1.02	1.02
FC9(C,V)*C16	HC42	1.01	1.01	1.01
FC9(C,V)*C20	HC42	1.01	1.02	1.01
(F,L)C8V*C16	HD48	1.04	1.03	0.99
(F,L)C8V*C20	HD48	1.04	1.03	0.99
FC9(C,V)*C16	HD48	1.04	1.03	1.04
FC9(C,V)*C20	HD48	1.04	1.03	0.99
FC9(C,V)*D20	HD48	1.04	1.03	0.99

* = Single-phase outdoor units only.

COOLING PERFORMANCE DATA																
AIR CONDITIONER MODEL NO.		ERCS0481BB, HABD-(T,W)048S**														
INDOOR COIL MODEL NO.		FC/MC/PC/UC48														
CONDENSING ENTERING AIR TEMPERATURE	IDCFM	1400					1600					1800				
	ID DB (°F)	80	80	75	80	80	80	80	75	80	80	80	80	75	80	80
	ID WB (°F)	57	62	62	67	72	57	62	62	67	72	57	62	62	67	72
65	T.C.	45.9	49.0	47.2	51.9	54.5	48.7	50.8	48.2	52.9	54.7	51.5	52.5	49.2	53.9	54.9
	S.C.	44.2	41.8	34.6	34.7	27.5	45.8	44.4	36.9	36.9	28.2	47.5	47.0	39.2	39.0	29.0
	KW	2.6	2.6	2.6	2.7	2.7	2.6	2.6	2.6	2.7	2.7	2.6	2.6	2.6	2.7	2.7
75	T.C.	44.6	47.5	45.7	50.3	52.8	47.4	48.9	46.5	51.0	53.0	50.1	50.4	47.4	51.7	53.2
	S.C.	42.9	41.2	34.0	34.2	26.9	44.5	43.7	36.2	36.3	28.0	46.1	46.1	38.5	38.4	29.0
	KW	3.0	3.0	3.0	3.0	3.0	3.0	3.0	3.0	3.0	3.0	3.0	3.0	3.0	3.0	3.0
85	T.C.	43.3	45.9	44.1	48.7	51.1	46.0	47.1	44.9	49.1	51.3	48.8	48.2	45.6	49.6	51.6
	S.C.	41.6	40.6	33.4	33.7	26.4	43.1	42.9	35.6	35.7	27.7	44.6	45.2	37.7	37.8	28.9
	KW	3.3	3.3	3.3	3.4	3.4	3.3	3.3	3.3	3.4	3.4	3.3	3.3	3.3	3.4	3.4
95	T.C.	42.0	44.4	42.6	47.1	49.3	44.7	45.2	43.2	47.0	49.7	47.4	46.1	43.8	47.5	50.0
	S.C.	40.4	39.9	32.8	33.1	25.9	41.8	42.1	34.9	35.1	27.4	43.1	44.3	37.0	37.2	28.9
	KW	3.7	3.7	3.6	3.7	3.7	3.7	3.7	3.7	3.7	3.7	3.7	3.7	3.7	3.7	3.7
105	T.C.	40.5	42.5	40.5	44.7	46.4	43.1	43.5	41.1	44.8	46.7	45.6	44.4	41.7	45.0	47.0
	S.C.	38.7	38.5	31.8	32.2	24.9	40.0	40.4	33.9	34.2	26.4	41.4	42.3	36.0	36.3	27.8
	KW	4.2	4.2	4.1	4.2	4.2	4.2	4.2	4.2	4.2	4.2	4.2	4.2	4.2	4.2	4.2
115	T.C.	39.1	40.7	38.4	42.3	43.5	41.5	41.7	39.0	42.5	43.8	43.9	42.8	39.7	42.6	44.1
	S.C.	37.2	37.2	30.8	31.2	24.0	38.4	38.7	32.9	33.3	25.4	39.6	40.3	35.0	35.4	26.8
	KW	4.7	4.6	4.6	4.7	4.7	4.7	4.7	4.6	4.7	4.7	4.7	4.7	4.6	4.7	4.7
125	T.C.	37.7	38.8	36.3	40.0	40.7	39.9	40.0	37.0	40.1	40.9	42.1	41.2	37.6	40.3	41.2
	S.C.	35.6	35.8	29.9	30.3	23.1	36.7	37.0	32.0	32.4	24.4	37.9	38.3	34.0	34.5	25.8
	KW	5.2	5.1	5.1	5.2	5.2	5.2	5.1	5.1	5.2	5.2	5.2	5.2	5.1	5.2	5.2

NOTE: ALL CAPACITIES INCLUDE INDOOR FAN HEAT AT 1250 BTUH/1000 CFM.
****** For three-phase, decrease T.C. by 1.0 and S.C. by 0.7.

Multipliers for determining the performance with other indoor sections.

NOTE: For dry bulb temperatures different than those listed (between 73-87 F), sensible capacity increases by 1060 BTUH per 1000 CFM per degree above the listed temperature and decreases by 1060 BTUH per 1000 CFM per degree below the listed temperature.

Air Handler	Coil	T.C.	S.C.	KW
MA12C	MC48C	1.01	1.02	1.01
MA20D	MC48D	1.00	1.00	1.00
AHP/SHP48	–	1.00	1.05	1.00
F*FV060*	–	1.01	1.05	1.01
AHP/SHP60	–	1.01	1.03	1.01
MV16C*	FC/MC48C	1.00	0.99	1.00
MV20D*	FC/MC48D	1.00	0.99	1.00
AV/SV48*	–	1.00	0.99	1.00
–	HD48	1.00	0.99	1.00

* = Single-phase outdoor units only.

Variable Speed Furnace *	Coil	T.C.	S.C.	KW
(F,L)C8V*C16	FC/MC/PC48C	0.99	0.97	0.99
(F,L)C8V*C20	FC/MC/PC48C	1.00	1.00	1.00
FC9(C,V)*C16	FC/MC/PC48C	1.00	1.00	1.00
FC9(C,V)*C20	FC/MC/PC48C	1.00	1.00	1.00
FC9(C,V)*D20	FC/MC/PC48D	1.00	1.00	1.00
(F,L)C8V*C16	HD48	1.01	0.99	1.01
(F,L)C8V*C20	HD48	1.01	1.02	1.01
FC9(C,V)*C16	HD48	1.01	1.02	1.01
FC9(C,V)*C20	HD48	1.01	1.02	1.01
FC9(C,V)*D20	HD48	1.01	1.02	1.01

* = Single-phase outdoor units only.

COOLING PERFORMANCE DATA

AIR CONDITIONER MODEL NO.		ERCS0601BB, HABD-(T,W)060S**														
INDOOR COIL MODEL NO.		FC/MC/PC/UC60														
CONDENSING ENTERING AIR TEMPERATURE	IDCFM	1650					1900					2150				
	ID DB (°F)	80	80	75	80	80	80	80	75	80	80	80	80	75	80	80
	ID WB (°F)	57	62	62	67	72	57	62	62	67	72	57	62	62	67	72
65	T.C.	57.2	57.4	54.0	59.6	59.1	58.9	59.1	55.2	60.4	61.1	60.6	60.8	56.3	61.2	63.1
	S.C.	52.1	48.7	39.6	38.8	28.1	54.1	51.9	42.7	42.0	31.1	56.1	55.2	45.7	45.3	34.1
	KW	3.0	3.1	3.1	3.1	3.1	3.0	3.1	3.1	3.1	3.1	3.1	3.1	3.1	3.1	3.1
75	T.C.	54.9	55.1	51.6	57.2	57.0	56.9	56.8	52.7	58.1	58.2	59.0	58.5	53.8	59.0	59.5
	S.C.	50.0	47.4	38.6	38.0	27.7	52.1	50.5	41.6	41.1	30.0	54.2	53.6	44.7	44.2	32.3
	KW	3.5	3.5	3.5	3.6	3.6	3.5	3.5	3.5	3.6	3.6	3.5	3.5	3.5	3.6	3.6
85	T.C.	52.6	52.9	49.3	54.8	54.8	54.9	54.5	50.3	55.8	55.4	57.3	56.1	51.2	56.9	55.9
	S.C.	48.0	46.1	37.6	37.3	27.3	50.1	49.0	40.6	40.2	28.8	52.3	52.0	43.6	43.2	30.4
	KW	4.0	4.0	4.0	4.0	4.1	4.0	4.0	4.0	4.0	4.1	4.0	4.0	4.0	4.0	4.1
95	T.C.	50.2	50.7	46.9	52.4	52.7	52.9	52.2	47.8	55.0	52.5	55.6	53.7	48.7	54.7	52.3
	S.C.	45.9	44.8	36.5	36.5	26.9	48.1	47.6	39.5	39.6	27.7	50.4	50.4	42.5	42.1	28.5
	KW	4.4	4.4	4.4	4.4	4.6	4.5	4.4	4.4	4.5	4.6	4.5	4.4	4.4	4.5	4.6
105	T.C.	48.3	48.2	44.9	49.9	49.4	50.5	49.9	45.3	50.8	49.2	52.8	51.6	45.6	51.6	49.0
	S.C.	43.9	43.2	35.6	35.4	25.7	46.0	45.6	38.4	38.1	26.8	48.0	47.9	41.1	40.8	28.0
	KW	5.1	5.0	5.1	5.1	5.2	5.1	5.1	5.1	5.1	5.2	5.1	5.1	5.1	5.1	5.2
115	T.C.	46.4	45.9	43.0	47.5	46.1	48.2	47.7	42.8	48.1	46.0	49.6	42.5	48.6	45.9	
	S.C.	42.0	41.7	34.7	34.4	24.6	43.9	43.6	37.2	37.0	26.0	45.7	45.5	39.8	39.5	27.5
	KW	5.7	5.7	5.7	5.7	5.8	5.7	5.7	5.7	5.7	5.8	5.7	5.7	5.7	5.7	5.8
125	T.C.	44.5	43.5	41.1	45.1	42.9	45.8	45.5	40.3	45.3	42.8	47.2	47.6	39.5	45.6	42.7
	S.C.	40.1	40.2	33.7	33.4	23.5	41.8	41.6	36.1	35.8	25.2	43.4	43.1	38.4	38.3	26.9
	KW	6.3	6.3	6.3	6.3	6.4	6.3	6.3	6.3	6.3	6.5	6.3	6.4	6.3	6.3	6.5

NOTE: ALL CAPACITIES INCLUDE INDOOR FAN HEAT AT 1250 BTUH/1000 CFM.
****** For three-phase, decrease T.C. by 0.5 and S.C. by 0.3.

Multipliers for determining the performance with other indoor sections.

NOTE: For dry bulb temperatures different than those listed (between 73-87 F), sensible capacity increases by 1060 BTUH per 1000 CFM per degree above the listed temperature and decreases by 1060 BTUH per 1000 CFM per degree below the listed temperature.

Air Handler	Coil	T.C.	S.C.	KW
MA20D	MC60D	1.00	1.00	1.00
MA20D	MC61D	1.01	1.01	1.01
AHP/SHP60	-	1.00	1.02	1.00
F*FV060*	-	1.00	1.02	1.00
MV20D*	FC/MC60D	0.98	0.97	0.98
MV20D*	MC61D	1.01	0.99	1.01
AV/SV60*	-	1.00	1.02	1.00
-	MC61	1.01	1.01	1.01
-	HC60	1.00	1.00	1.00
-	HD60	1.00	1.01	1.00
MA20D	MC60D	1.00	1.00	1.00

* = Single-phase outdoor units only.

Variable Speed Furnace*	Coil	T.C.	S.C.	KW
FC9(C,V)*D20	FC/MC/PC60D	0.99	0.96	0.99
(F,L)C8V*C20	FC/PC60C	0.98	0.98	0.98
FC9(C,V)*C20	FC/PC60C	0.99	0.96	0.99
(F,L)C8V*C20	HC60	0.98	0.98	0.98
FC9(C,V)*D20	HC60	0.99	0.96	0.99
(F,L)C8V*C20	HD60	1.00	0.99	1.00
FC9(C,V)*C20	HD60	0.99	0.96	0.99
FC9(C,V)*D20	HD60	0.98	0.96	0.98
(F,L)C8V*C20	MC61D	1.00	0.99	1.00
FC9(C,V)*C20	MC61D	0.98	0.96	0.98
FC9(C,V)*D20	MC61D	1.00	0.96	1.00

* = Single-phase outdoor units only.