

JOB NAME \_\_\_\_\_ LOCATION \_\_\_\_\_  
 PURCHASER \_\_\_\_\_ ORDER NO. \_\_\_\_\_  
 ENGINEER \_\_\_\_\_  
 SUBMITTED TO \_\_\_\_\_ FOR:  Reference  Approval  Construction  
 SUBMITTED BY \_\_\_\_\_ DATE \_\_\_\_\_

UNIT DESIGNATION: Schedule No. \_\_\_\_\_ MODEL NO. \_\_\_\_\_

**PRODUCT DATA**

**COOLING PERFORMANCE**

TOTAL CAPACITY ..... MBH  
 SENSIBLE CAPACITY ..... MBH  
 EVAPORATOR PRESSURE  
 AT SATURATION ..... PSIG  
 EVAPORATOR TEMPERATURE  
 AT SATURATION ..... °F  
 TOTAL SUPPLY AIR ..... CFM  
 TEMP. OF AIR ENTERING  
 EVAPORATOR COIL ..... / °F DB/WB

**HEATING PERFORMANCE**

Refer to field-installed accessories on reverse side.

**SUPPLY AIR BLOWER PERFORMANCE**

TOTAL SUPPLY AIR ..... CFM  
 TOTAL RESISTANCE EXTERNAL  
 TO UNIT ..... IWG  
 BLOWER SPEED ..... RPM  
 POWER OUTPUT REQUIREMENT .. BHP  
 MOTOR RATING ..... HP  
 POWER INPUT REQUIREMENT .... KW

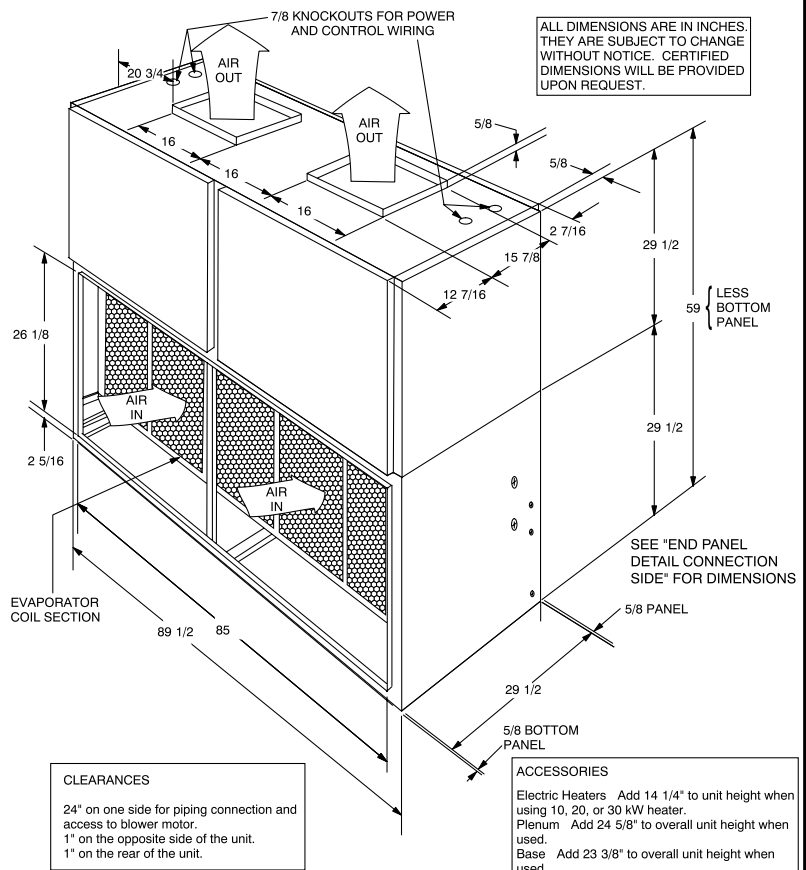
**ELECTRICAL DATA**

POWER SUPPLY ..... / ..... / .....  
 TOTAL UNIT AMPACITY ..... AMPS  
 MINIMUM WIRE SIZE ..... AWG  
 (Copper Conductors)  
 MAXIMUM FUSE SIZE  
 DUAL ELEMENT ..... AMPS

**UNIT WEIGHT**

TOTAL OPERATING WEIGHT ..... LBS.  
 (Including field-installed accessories)

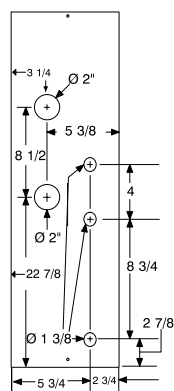
**DIMENSIONS – INCHES**



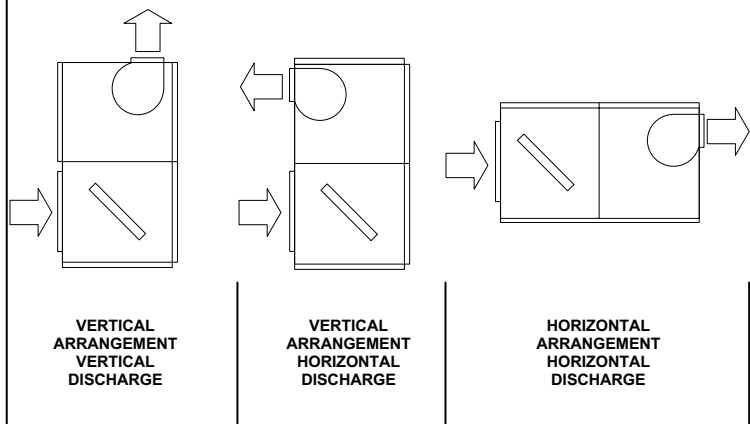
**CLEARANCES**  
 24" on one side for piping connection and access to blower motor.  
 1" on the opposite side of the unit.  
 1" on the rear of the unit.

**ACCESSORIES**  
 Electric Heaters Add 14 1/4" to unit height when using 10, 20, or 30 kW heater.  
 Plenum Add 24 5/8" to overall unit height when used.  
 Base Add 23 3/8" to overall unit height when used.

END PANEL DETAIL CONNECTION SIDE



**INSTALLATION CONFIGURATION**



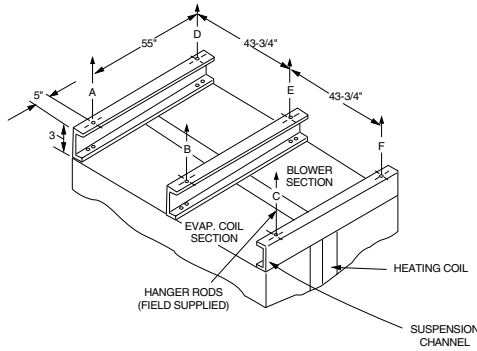
**SPLIT-SYSTEM EVAPORATOR BLOWERS**  
**20 TONS**  
**MODEL F\_HP240**

FORM: 036-22803-001-A-0803

Supersedes: Nothing



## SUSPENSION MOUNTING (Horizontal Application)



SUSPENSION WEIGHTS, LBS.					
A	B	C	D	E	F

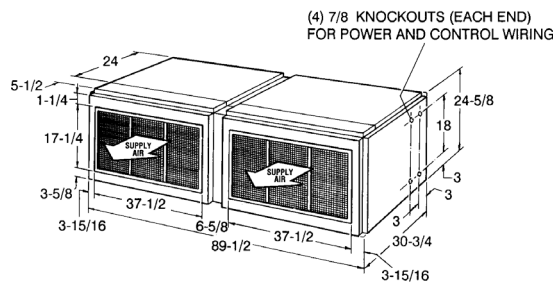
DIMENSIONS, IN.	
A	B

Four 3/8" - 16 weld nuts are provided in the unit support angles for ceiling suspension. Knockouts are provided in panels for access to these weld nuts. Support rods must be supplied in the field.

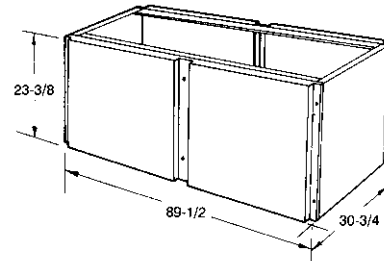
### FIELD-INSTALLED ACCESSORIES

- SUPPLY AIR PLENUM (1SP0405) .....
- RETURN AIR GRILLE (1RG0405) .....
- BASE (1BS0405) .....
- (Vertical Application Only) .....
- ELECTRIC HEATER\* .....
- Model Number \_\_\_\_\_
- Capacity (@ \_\_\_\_\_ Volts) ..... MBH
- Power Input Requirement ..... KW
- (Less Blower Motor)

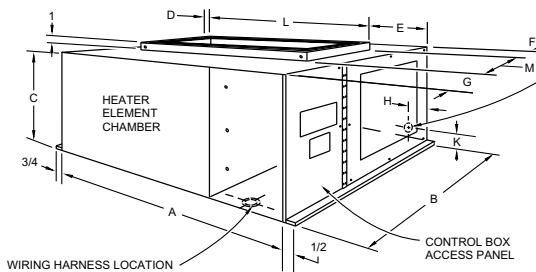
### ACCESSORY DIMENSIONS – INCHES



**SUPPLY AIR PLENUM**

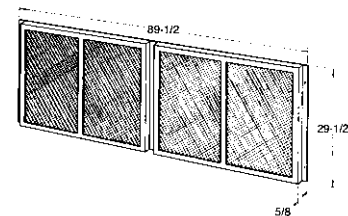


**BASE ACCESSORY**



**WIRING HARNESS LOCATION**  
This opening in the bottom of the heater control box is used for the wiring harness that connects the heater accessory to the basic unit. It is provided with a squeeze connector for securing the wiring harness, and its location corresponds to the location of the 1-23/32 inch knockout in the top panel of the basic unit.

**ACCESS OPENING FOR POWER SUPPLY WIRING**  
10KW THRU 30KW - Add a 1-1/4 inch conduit fitting to the 1-23/32 inch hole for wire sizes up through #1 AWG. Remove the knockout ring and add a 1-1/2 inch conduit fitting to the 1-31/32 inch hole for wire sizes up through #0 AWG.  
50 KW - Add a 1-1/4 inch conduit fitting to the 1-23/32 inch hole for wire sizes up through #11 AWG. Remove the knockout ring and add a two-inch conduit fitting to the 2-1/2" hole for wire sizes up through #000 AWG. Used on FEH180 only.



**RETURN AIR GRILLE**

Heater Model <sup>1</sup>	Nom. kW	Heater Dimensions (inches)												
		A	B	C	D	E	F	G	H	K	L	M		
2HB04501025, 46	10													
2HB04502025, 46	20	27-1/4	25-1/4	14-1/4	1	4	1/2	5-1/2	1-1/2	1-1/2	22-1/4	19-1/4		
2HB04503025, 46	30													
2HP04505025, 46	50	29-7/8	26-3/8	21-3/4	2-3/8	5-1/4	3/4	6-3/4	2-1/4	2-1/2	22-1/4	19-1/4		

<sup>1</sup> 2HC04501025, 46 and 2HC04502025, and 46 are used on the FEH240 units only. The dimensions are the same as shown above for the 2HB heaters. The 2HB heaters are installed on the drive side of the FEH240 and the 2HC heaters are installed on the opposite side.

**NOTES:** \_\_\_\_\_

\_\_\_\_\_

\_\_\_\_\_