

TABULAR DATA SHEET

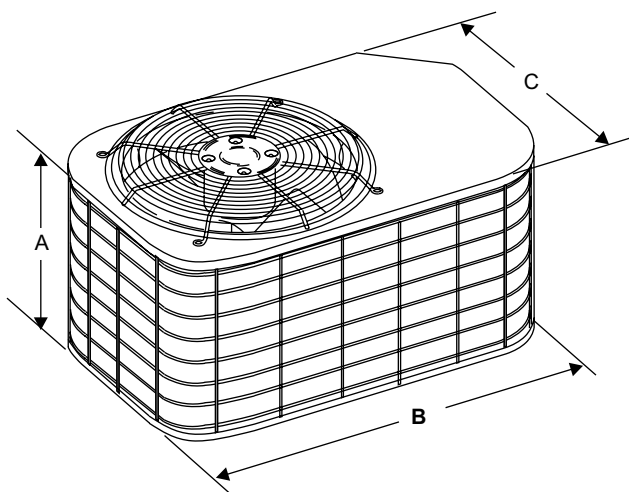
OUTDOOR SPLIT SYSTEM HEAT PUMP 1.5 Thru 5 Tons

MODELS: ERHS018* THRU 060* 13 SEER – R-22- 1 Phase

Physical and Electrical Data

MODEL	ERHS0181BA	ERHS0241BA	ERHS0301BA	ERHS0361BA	ERHS0421BA	ERHS0481BA	ERHS0601BA	
Unit Supply Voltage	208/230 – 1 – 60							
Normal Voltage Range ¹	187 to 252							
Minimum Circuit Ampacity	9.9	15.0	16.9	19.8	25.0	32.7	37.8	
Max. Overcurrent Device Amps ²	15	25	25	30	40	50	60	
Min. Overcurrent Device Amps ³	15	20	20	20	30	35	40	
Compressor Type ⁴	Recip	Recip	Recip	Recip	Recip	Scroll ^D	Scroll ^D	
Compressor Amps	Rated Load	7.5	10.7	12.4	14.6	18.8	25.0	29.1
	Locked Rotor	41	44	60	78	78	115	150
Crankcase Heater	Yes	Yes	Yes	Yes	Yes	No	No	
Fan Motor Amps	Rated Load	0.5	1.5	1.5	1.5	1.5	1.5	1.5
	Fan Diameter Inches	22	22	22	22	22	24	24
Fan Motor	Rated HP	1/15	1/4	1/4	1/4	1/4	1/4	1/4
	Nominal RPM	850	850	850	850	850	850	850
	Nominal CFM	2,000	3,250	3,450	3,500	3,500	3,400	3,500
Coil	Face Area Sq. Ft.	15.72	18.34	20.96	23.58	23.58	24.00	27.00
	Rows Deep	1	1	1	1	1	2	2
	Fin / Inches	22	22	22	22	22	18	18
Liquid Line Set OD (Field Installed)	3/8	3/8	3/8	3/8	3/8	3/8	3/8	
Vapor Line Set OD (Field Installed)	3/4	3/4	7/8	7/8	7/8	7/8	1-1/8	
Unit Charge (Lbs. - Oz.) ⁵	7 - 1	6 - 6	8 - 7	8 - 7	8 - 7	12 - 8	16 - 7	
Charge Per Foot, Oz.	0.68	0.68	0.70	0.70	0.70	0.70	0.76	
Operating Weight Lbs.	172	184	196	208	208	250	294	

1. Rated in accordance with ARI Standard 110, utilization range "A".
2. Dual element fuses or HACR circuit breaker. Maximum allowable overcurrent protection.
3. Dual element fuses or HACR circuit breaker. Minimum recommended overcurrent protection.
4. All scrolls listed with a superscript "D" are Danfoss scrolls. All scrolls listed with a superscript "C" are Copeland scrolls.
5. The Unit Charge is correct for the outdoor unit, matched indoor coil and 15 feet of refrigerant tubing. For tubing lengths other than 15 feet, add or subtract the amount of refrigerant, using the difference in length multiplied by the per foot value. If line exceeds 25 feet, you may refer to publications software 036-68001-001 for proper line sizing.



All dimensions are in inches. They are subject to change without notice. Certified dimensions will be provided upon request.

Unit Model	Dimensions (Inches)			Refrigerant Connection Service Valve Size	
	A ¹	B	C	Liquid	Vapor
018	27	37	27	3/8"	3/4"
024	31	37	27		
030	35	37	27		
036	39	37	27		7/8"
042	39	37	27		
048	34	43	32		
060	38	43	32		7/8"*

1. Including Fan Guard

* Adapter fitting required for 1-1/8" line set.

R-22 SYSTEM CHARGING PROCEDURE

Additional R-22 Charge / Orifice Size for Various Matched Systems							
Outdoor Unit	ERHS0181BA	ERHS0241BA	ERHS0301BA	ERHS0361BA	ERHS0421BA	ERHS0481BA	ERHS0601BA
Required TXV	1TVM2A1	1TVM2A1	1TVM2A1	1TVM2A1	1TVM2C1	1TVM2C1	1TVM2C1
Factory R-22 Charge, lbs-oz	7 - 1	6 - 6	8 - 7	8 - 7	8 - 7	12 - 8	16 - 7
Indoor Coil ^{1,2}	Additional Charge, Oz						
FC/MC/PC/UC18A2A	0	-	-	-	-	-	-
FC/MC/PC/UC18B2A	0	-	-	-	-	-	-
FC/MC/PC/UC24A2A	-	0	-	-	-	-	-
FC/MC/PC/UC24B2A	-	0	-	-	-	-	-
FC/MC/PC/UC30A2A	-	0	-	-	-	-	-
FC/MC/PC/UC30B2A	-	0	-	-	-	-	-
FC/MC/PC35B2A	-	-	0	9	-	-	-
FC/MC/PC35C2C	-	-	0	9	-	-	-
FC/MC/PC/UC42B2C	-	-	0	9	-	-	-
FC/MC/PC/UC42C2C	-	-	0	9	-	-	-
FC/MC/PC/UC48C2C	-	-	-	9	14	-	-
FC/MC/PC/UC48D2C	-	-	-	9	14	-	-
FC/PC/UC60C2C	-	-	-	-	-	7	7
FC/MC/PC/UC60D2C	-	-	-	-	-	7	7
MC61D2C	-	-	-	-	-	7	7
HC18A2A	0	-	-	-	-	-	-
HC30A2A	-	0	-	-	-	-	-
HC36B2A	-	-	0	-	-	-	-
HC42C2C	-	-	-	9	-	-	-
HC60C2C	-	-	-	-	-	7	7
HD24A2A	-	0	-	-	-	-	-
HD36B2A	-	-	0	9	-	-	-
HD48C2C	-	-	-	-	14	-	-
HD60D2C	-	-	-	-	-	7	7
AHP18B2A	0	-	-	-	-	-	-
AHP24B2A	-	0	-	-	-	-	-
AHP30B2A	-	-	0	-	-	-	-
AHP36C2A	-	-	-	9	-	-	-
AHP42C2C	-	-	-	9	-	-	-
AHP/SHP48D2C	-	-	-	-	14	7	-
AHP/SHP60D2C	-	-	-	-	-	7	7
AV24B2A	0	0	-	-	-	-	-
AV36C2A	-	-	0	9	-	-	-
AV/SV48D2C	-	-	-	-	14	7	-
AV/SV60D2C	-	-	-	-	-	-	7
MH30S	-	0	-	-	-	-	-
MH36S	-	-	0	9	-	-	-
FC/MC/PC/UC18A3X	0	-	-	-	-	-	-
FC/MC/PC/UC18B3X	0	-	-	-	-	-	-
FC/MC/PC/UC24A3X	-	0	-	-	-	-	-
FC/MC/PC/UC24B3X	-	0	-	-	-	-	-
FC/MC/PC/UC30A3X	-	0	-	-	-	-	-
FC/MC/PC/UC30B3X	-	0	-	-	-	-	-
FC/MC/PC35B3X	-	-	0	9	-	-	-
FC/MC/PC35X3X	-	-	0	9	-	-	-
FC/MC/PC/UC42B3X	-	-	0	9	-	-	-
FC/MC/PC/UC42X3X	-	-	0	9	-	-	-
FC/MC/PC/UC48C3X	-	-	-	9	14	-	-
FC/MC/PC/UC48D3X	-	-	-	9	14	-	-
FC/PC/UC60C3X	-	-	-	-	-	7	7

Additional R-22 Charge / Orifice Size for Various Matched Systems (Continued)							
Outdoor Unit	ERHS0181BA	ERHS0241BA	ERHS0301BA	ERHS0361BA	ERHS0421BA	ERHS0481BA	ERHS0601BA
Required TXV	1TVM2A1	1TVM2A1	1TVM2A1	1TVM2A1	1TVM2C1	1TVM2C1	1TVM2C1
Factory R-22 Charge, lbs-oz	7 - 1	6 - 6	8 - 7	8 - 7	8 - 7	12 - 8	16 - 7
Indoor Coil ^{1,2}	Additional Charge, Oz						
FC/MC/PC/UC60D3X	-	-	-	-	-	7	7
MC61D3X	-	-	-	-	-	7	7
HC18A3X	0	-	-	-	-	-	-
HC30A3X	-	0	-	-	-	-	-
HC36B3X	-	-	0	-	-	-	-
HC42C3X	-	-	-	9	-	-	-
HC60C3X	-	-	-	-	-	7	7
HD24A3X	-	0	-	-	-	-	-
HD36B3X	-	-	0	9	-	-	-
HD48C3X	-	-	-	-	14	-	-
HD60D3X	-	-	-	-	-	7	7
AHP18B3X	0	-	-	-	-	-	-
AHP24B3X	-	0	-	-	-	-	-
AHP30B3X	-	-	0	-	-	-	-
AHP36C3X	-	-	-	9	-	-	-
AHP42C3X	-	-	-	9	-	-	-
AHP/SHP48D3X	-	-	-	-	14	7	-
AHP/SHP60D3X	-	-	-	-	-	7	7
AV24B3X	0	0	-	-	-	-	-
AV36C3X	-	-	0	9	-	-	-
AV/SV48D3X	-	-	-	-	14	7	-
AV/SV60D3X	-	-	-	-	14	7	7
F*FP024H06T2A	0	-	-	-	-	-	-
F*FP030H06T2A	-	0	-	-	-	-	-
F*FP040H06T2A	-	-	0	9	-	-	-
F*FP042H06T2A	-	-	-	9	-	-	-
F*FV060H06T2C	-	-	-	-	-	7	7

FOOTNOTES:

1. Systems matched with furnace or air handlers not equipped with blower-off delays may require blower Time Delay Kit 2FD06700224.
 2. PC coils cannot be used in downflow or horizontal applications. FC coils cannot be used in horizontal applications.
- * This loose coil match does not achieve 13 SEER.

PROCEDURES:

1. Unit factory charge listed on the unit nameplate includes refrigerant for the condenser, the smallest evaporator and 15 feet of interconnecting line tubing.
2. Verify the TXV and additional charge required for specific evaporator coil in the system using the above table.
3. Additional charge for the amount of interconnecting line tubing greater than 15 feet at the rate specified in the table above.
4. Permanently mark the unit nameplate with the total system charge. Total System Charge = Base Charge (as shipped) + adder for evaporator + adder for line set.

Subject to change without notice. Printed in U.S.A.
Copyright © by York International Corp. 2007. All rights reserved.



250383-BTD-D-0607
Supersedes: 250383-BTD-C-1106

**Unitary
Products
Group**

**5005
York
Drive**

**Norman
OK
73069**