

SUBMITTAL DATA SHEET

GAS/ELECTRIC SINGLE PACKAGE AIR CONDITIONERS
MODELS: ZW-15, -18, -20 & -25



JOB NAME:		LOCATION:		
PURCHASER:		ORDER NO:		
ENGINEER:				
SUBMITTED TO:	FOR:	REF:	APPROVAL:	CONSTRUCTION:
SUBMITTED BY:		DATE:		
UNIT DESIGNATION:		SCHEDULE NO.	MODEL NO.	

COOLING PERFORMANCE

TOTAL CAPACITY----- MBH

SENSIBLE CAPACITY----- MBH

OUTDOOR DESIGN TMP. _____ °F DB/WB

TOTAL SUPPLY AIR----- CFM

TEMP. OF AIR ENTERING

EVAPORATOR COIL----- °F

POWER INPUT REQ.----- KW
 (LESS BLOWER MOTOR)

HEATING PERFORMANCE

ELECTRIC HEAT----- KW

GAS-FIRED INPUT-CAP.----- MBH

SUPPLY AIR BLOWER PERFORMANCE

TOTAL SUPPLY AIR----- CFM

EXT. STATIC PRESS.----- IWG

BLOWER SPEED----- RPM

POWER OUTPUT REQ.----- BHP

MOTOR RATING----- HP

POWER INPUT REQ.----- KW

ELECTRICAL DATA

POWER SUPPLY-----

TOTAL UNIT AMPACITY----- AMPS

MAX. OVERCURRENT DEVICE

___ FUSE ___ BREAKER----- AMPS

TOTAL UNIT WEIGHT

INCLUDING FACTORY- INSTALLED

OPTIONS----- LBS

FACTORY INSTALLED OPTIONS

SINGLE INPUT ELECTRONIC ENTHALPY ECONOMIZERS-----

BAS-READY ECONOMIZER (2-10 V.D.C. ACTUATOR WITHOUT A CONTROLLER)-----

POWER EXHAUST-----

MOTORIZED OUTDOOR AIR INTAKE DAMPER-----

BAROMETRIC RELIEF DAMPER-----

PHENOLIC COATED EVAPORATOR-----

PHENOLIC COATED CONDENSER COILS-----

ELECTRIC HEATERS-----

FILTER (2" PLEATED)-----

FILTER (4" PLEATED)-----

POWERED CONVENIENCE OUTLET-----

NON-POWERED CONVENIENCE OUTLET-----

DISCONNECT SWITCH-----

DOUBLE WALL CONSTRUCTION-----

BAS - (BUILDING AUTOMATION SYSTEMS)-----

 Simplicity® Intelli-Comfort™-----

 Honeywell™-----

 Novar®-----

 Johnson-----

 CPC-----

SMOKE DETECTOR (RETURN)-----

SMOKE DETECTOR (SUPPLY)-----

COIL GUARD-----

STAINLESS STEEL HEAT EXCHANGER-----

STAINLESS STEEL DRAIN PAN-----

PHASE MONITOR-----

HIGH STATIC DRIVE-----

LOW STATIC DRIVE (ZW-25, 25 TON ONLY)-----

AIR PROVING SWITCH-----

DIRTY FILTER SWITCH-----

HINGED FILTER DOOR/"TOOL FREE" BLOWER AND ACCESS PANELS (NOT HINGED)-----

HINGED/"TOOL FREE" BLOWER, BLOWER MOTOR, FILTER AND ELECTRICAL ACCESS PANELS-----

HOT GAS BYPASS-----

VARIABLE AIR VOLUME (VFD)-----

VARIABLE AIR VOLUME (VFD with Manual Bypass)-----

VARIABLE AIR VOLUME (VFD) Ready for Customer Installed Drive-----

FIELD-INSTALLED ACCESSORIES

SINGLE INPUT ELECTRONIC ENTHALPY ECONOMIZERS-----

MOTORIZED OUTDOOR AIR INTAKE DAMPER-----

ROOF CURBS-----

HIGH ALTITUDE NATURAL GAS KIT-----

PROPANE CONVERSION KIT-----

HIGH ALTITUDE PROPANE KIT-----

SIDE DUCT FLANGES-----

BAROMETRIC RELIEF DAMPER-----

HIGH STATIC DRIVE-----

ENTHALPY ACCESSORY CONTROL KIT (DUAL)-----

BURGLAR BARS-----

FLUE EXHAUST EXTENSION KIT-----

HAIL GUARD-----

WOOD SKID-----

DIRTY FILTER SWITCH-----

AIR PROVING SWITCH-----

CO2 SENSOR-----

COIL GUARD-----

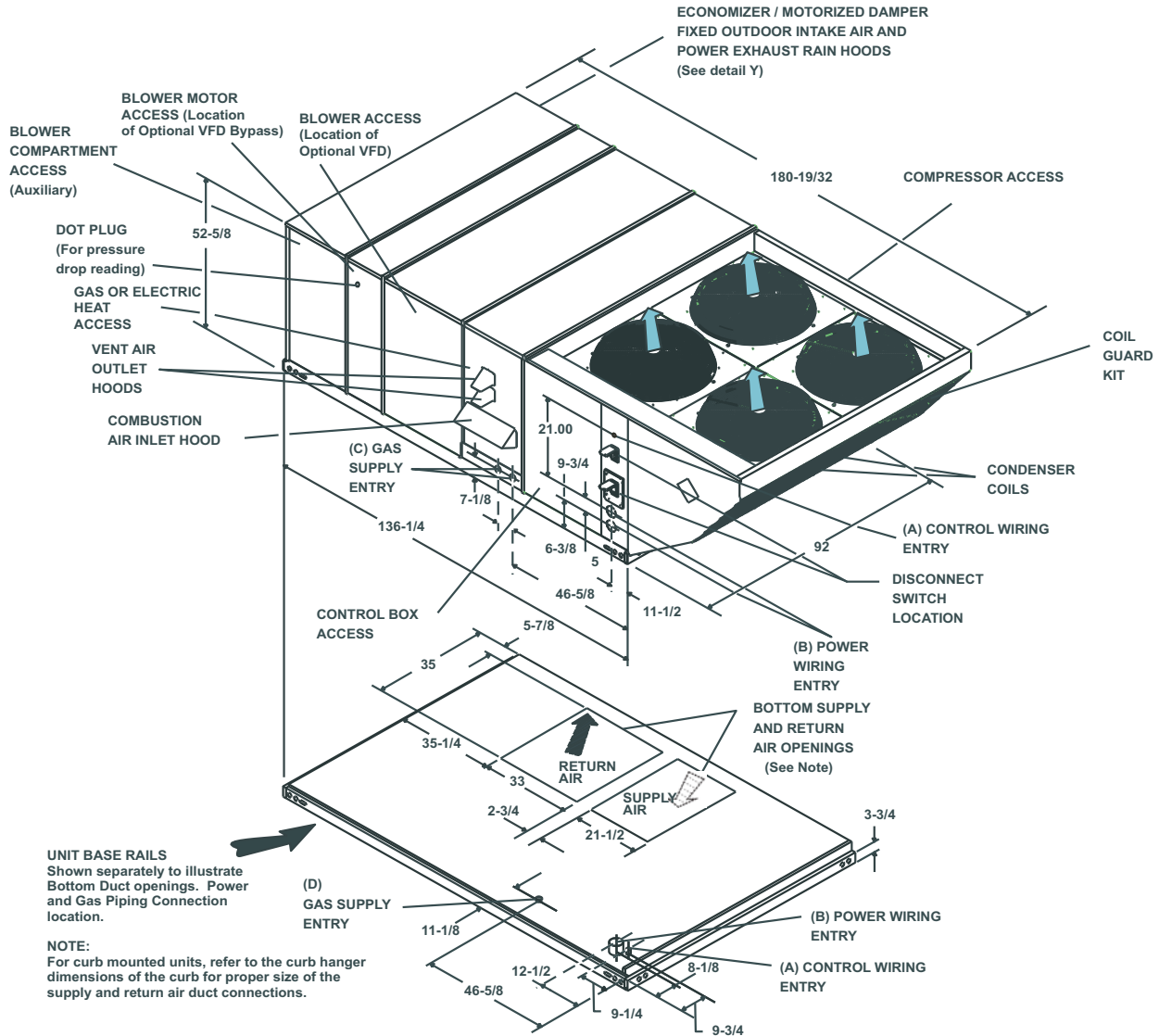
SMOKE DETECTOR (RETURN OR SUPPLY)-----

WALL MOUNT TEMPERATURE SENSOR (Intelli-Comfort™)-----

WALL MOUNT TEMPERATURE SENSOR WITH OVERRIDE (Intelli-Comfort™)-----

WALL MOUNT TEMPERATURE SENSOR WITH OVERRIDE & SET POINT ADJ. (Intelli-Comfort™)-----

HUMIDITY SENSOR (Intelli-Comfort™)-----

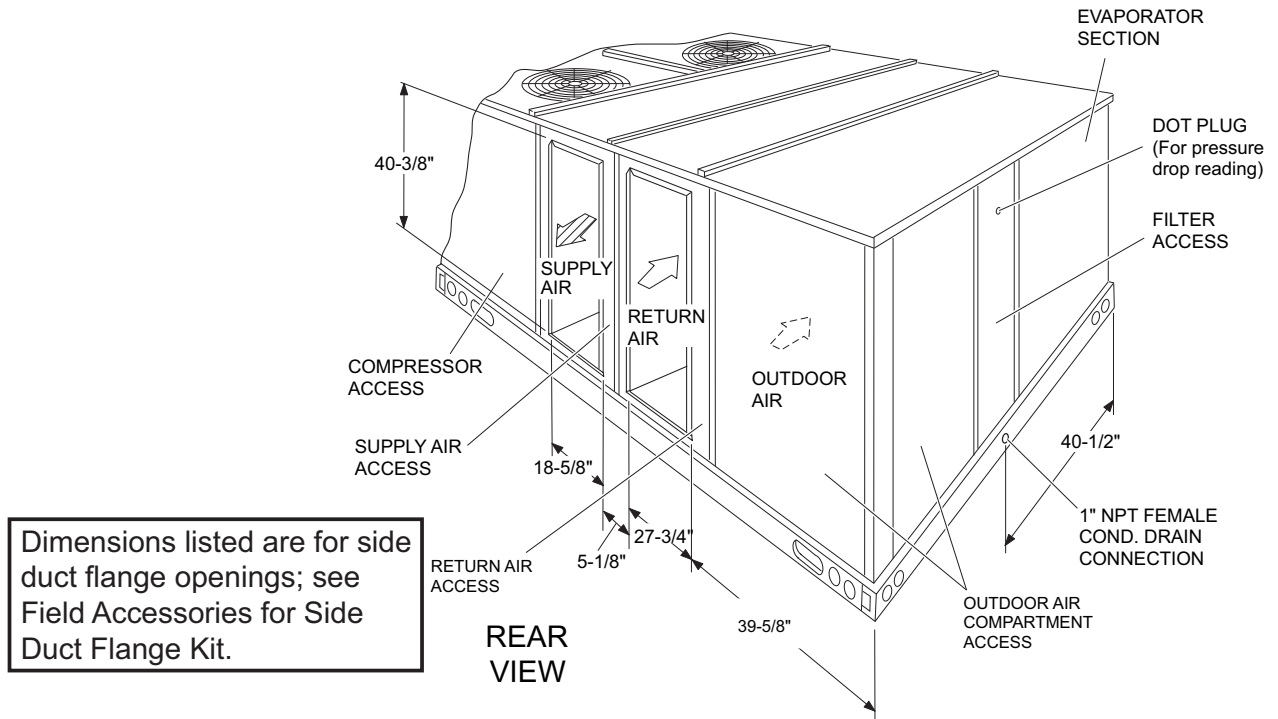


UTILITIES ENTRY DATA

HOLE	OPENING SIZE (DIA.)	USED FOR	
A	1-1/8" KO	Control Wiring	Side
	3/4" NPS (Fem.)		Bottom
B	3-5/8" KO	Power Wiring	Side
	3" NPS (Fem.)		Bottom
C	2-3/8" KO	Gas Piping (Front) ¹	
D	1-11/16" Hole	Gas Piping (Bottom) ^{1, 2}	

1. One-inch gas piping NPT required.
2. Opening in the bottom of the unit can be located by the slice in the insulation.

NOTE: All entry holes should be field sealed to prevent rain water entry into the building.



Dimensions listed are for side duct flange openings; see Field Accessories for Side Duct Flange Kit.

LOCATION	CLEARANCE
Front	36"
Rear	24" (Less Economizer) 49" (With Economizer)
Left Side (Filter Access)	24" (Less Economizer) 36" (With Economizer) ³
Right Side (Cond. Coil)	36"
Below Unit ¹	0"
Above Unit ²	72" With 36" Maximum Horizontal Overhang (For Condenser Air Discharge)

- Units may be installed on combustible floors made from wood or class A, B, or C roof covering material.
- Units must be installed outdoors. Overhanging structures or shrubs should not obstruct condenser air discharge outlet.
- If economizer is factory installed, the unassembled rain hood must be removed from its ride along position in front of evaporator coil, or in the outdoor air compartment, prior to final installation.

NOTE: ELEC / ELEC Models: Units and ductwork are approved for zero clearance to combustible material when equipped with electric heaters.

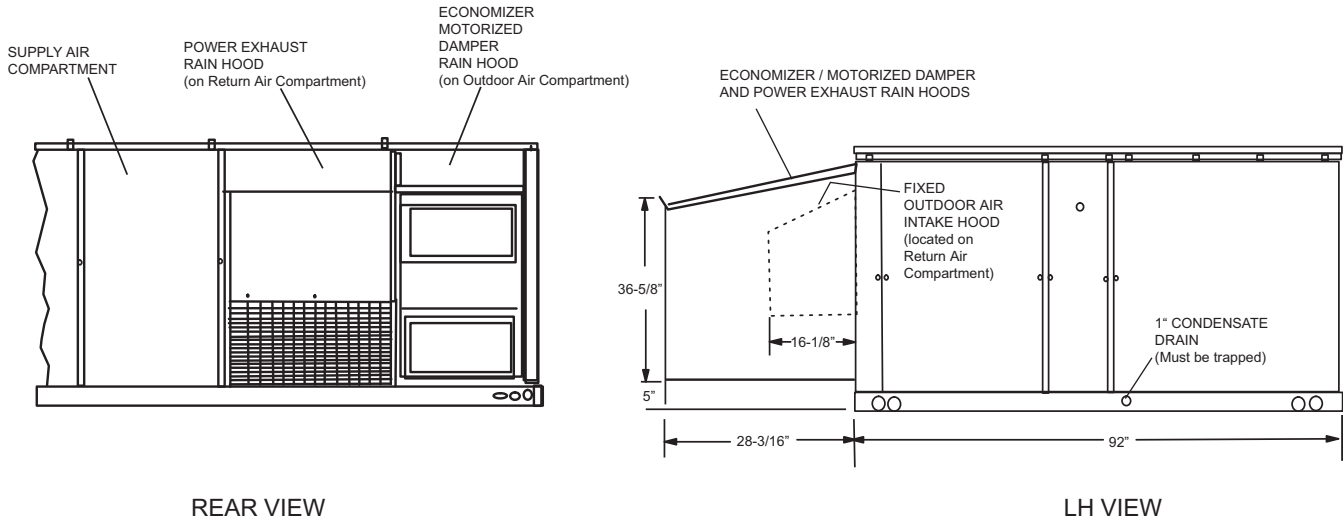
GAS / ELEC Models: A 1" clearance must be provided between any combustible material and the supply air ductwork for a distance of 3 feet from the unit.

The products of combustion must not be allowed to accumulate within a confined space and recirculate.

Locate unit so that the vent air outlet hood is at least:

- Three (3) feet above any force air inlet located within 10 horizontal feet (excluding those integral to the unit).
- Four (4) feet below, four horizontal feet from, or one foot above any door or gravity air inlet into the building.
- Four (4) feet from electric and gas meters, regulators and relief equipment.

UNITS WITH RAIN HOODS



DETAIL "Y"
UNIT WITH RAIN HOODS

NOTES

REFER TO UNIT TECHNICAL GUIDE FOR THE LIST OF STANDARD FEATURES

ATTACHED **NOT ATTACHED**

Subject to change without notice. Printed in U.S.A.
Copyright © 2008 by Johnson Controls, Inc. All rights reserved.

251577-CSD-E-0508
Supersedes: 251577-CSD-D-0707