

TABULAR DATA SHEET

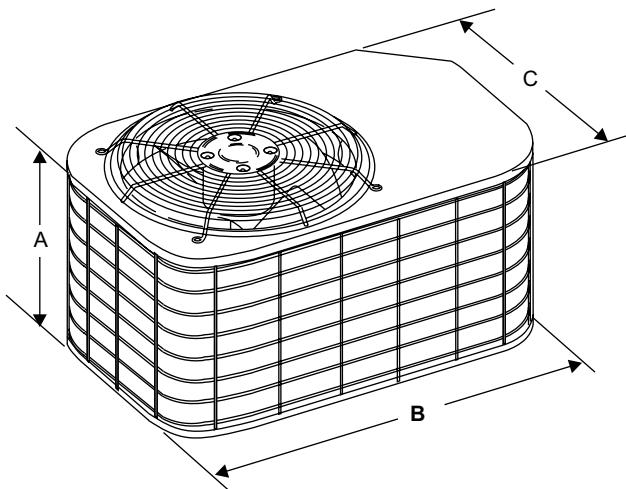
Outdoor Split System Air Conditioner 1.5 Thru 5 Tons

**MODELS: CCBD018*THRU 060*
13 SEER – R-410A**

PHYSICAL AND ELECTRICAL DATA

MODEL	CCBD018FS1	CCBD024FS1	CCBD030FS1	CCBD036FS1	CCBD042FS1	CCBD048FS1	CCBD060FS1
Unit Supply Voltage	208-230V, 1 ϕ , 60Hz						
Normal Voltage Range ¹	187 to 252						
Minimum Circuit Ampacity	8.5	11.7	14.2	19.2	23.9	27.9	37.5
Max. Overcurrent Device Amps ²	15	20	20	30	40	45	60
Min. Overcurrent Device Amps ³	15	15	15	20	25	30	40
Compressor Type	Recip	Recip	Recip	Recip	Scroll	Scroll	Scroll
Compressor Amps	Rated Load	6.4	8.96	10.7	14.7	17.9	28.8
	Locked Rotor	47	48	57	83	112	150
Crankcase Heater	No	No	No	No	No	No	No
Fan Motor Amps	Rated Load	0.5	0.5	0.8	0.8	1.5	1.5
Fan Diameter Inches	22	22	22	22	22	22	22
Fan Motor	Rated HP	1/15	1/15	1/8	1/8	1/4	1/4
	Nominal RPM	830	830	1075	1075	850	850
	Nominal CFM	2200	2200	2500	2700	3000	3200
Coil	Face Area Sq. Ft.	15.71	15.71	15.71	20.96	20.96	23.58
	Rows Deep	1	1	1	1	1	1
	Fin / Inches	18	18	18	22	22	22
Liquid Line OD (Field Installed)	3/8	3/8	3/8	3/8	3/8	3/8	3/8
Vapor Line OD (Field Installed)	3/4	3/4	3/4	7/8	7/8	7/8	1 1/8
Unit Charge (Lbs. - Oz.) ⁴	6 - 1	6 - 2	6 - 5	7 - 13	8 - 4	8 - 7	9 - 1
Charge Per Foot, Oz.	0.68	0.68	0.68	0.70	0.70	0.70	0.76
Operating Weight Lbs.	150	150	170	195	180	184	198

1. Rated in accordance with ARI Standard 110, utilization range "A".
2. Dual element fuses or HACR circuit breaker. Maximum allowable overcurrent protection.
3. Dual element fuses or HACR circuit breaker. Minimum recommended overcurrent protection.
4. The Unit Charge is correct for the outdoor unit, matched indoor coil and 15 feet of refrigerant tubing. For tubing lengths other than 15 feet, add or subtract the amount of refrigerant, using the difference in length multiplied by the per foot value. See the "Additional R-22/410A charge" for additional refrigerant needed for evaporator units.



All dimensions are in inches. They are subject to change without notice. Certified dimensions will be provided upon request.

Unit Model	Dimensions (Inches)			Refrigerant Connection Service Valve Size	
	A ¹	B	C	Liquid	Vapor
18	27	37	27	3/8	3/4
24	27	37	27		
30	27	37	27		
36	35	37	27		7/8
42	35	37	27		
48	35	37	27		
60	39	37	27	7/8*	

1. Including Fan Guard.

* Adapter fitting required for 1-1/8" line set.

Additional R-410A Charge / Orifice Size for Various Matched Systems							
Outdoor Unit	CCBD018FS1	CCBD024FS1	CCBD030FS1	CCBD036FS1	CCBD042FS1	CCBD048FS1	CCBD060FS1
Required TXV ¹	1TVM4A1	1TVM4A1	1TVM4B1	1TVM4B1	1TVM4B1	1TVM4C1	1TVM4D1
Factory R-410A Charge, lbs-oz	6 - 1	6 - 2	6 - 5	7 - 13	8 - 4	8 - 7	9 - 1
Indoor Coil ²	Additional Charge, Oz						
FC/MC/PC/UC18A	0	-	-	-	-	-	-
FC/MC/PC/UC18B	0	-	-	-	-	-	-
FC/MC/PC/UC24A	4	0	-	-	-	-	-
FC/MC/PC/UC24B	4	0	-	-	-	-	-
FC/MC/PC/UC30A	-	0	0	-	-	-	-
FC/MC/PC/UC30B	-	0	0	-	-	-	-
FC/MC/PC/UC36A	-	3	3	0	-	-	-
FC/MC/PC/UC36B	-	3	3	0	-	-	-
FC/MC/PC/UC36C	-	3	3	0	-	-	-
FC/MC/PC/UC42B	-	-	-	-	0	-	-
FC/MC/PC/UC42C	-	-	-	-	0	-	-
FC/MC/PC/UC48C	-	-	-	-	8	0	-
FC/MC/PC/UC48D	-	-	-	-	8	0	-
FC/PC/UC60C	-	-	-	-	-	-	0
FC/MC/PC/UC60D	-	-	-	-	-	-	0
MC61D	-	-	-	-	-	-	4
HC18A	0	-	-	-	-	-	-
HC30A	-	0	0	-	-	-	-
HC36B	-	-	3	0	-	-	-
HC42C	-	-	-	-	0	0	-
HC60C	-	-	-	-	-	4	0
HD24A	-	0	-	-	-	-	-
HD36B	-	-	3	0	-	-	-
HD48C	-	-	-	-	8	0	-
HD60D	-	-	-	-	-	4	0
AHP18B	0	-	-	-	-	-	-
AHP24B	2	0	-	-	-	-	-
AHP30B	-	5	0	-	-	-	-
AHP36C	-	-	2	0	-	-	-
AHP42C	-	-	-	-	2	-	-
AHP/SHP48D	-	-	-	-	12	4	-
AHP/SHP60D	-	-	-	12	12	4	0
AV24B	2	0	-	-	-	-	-
AV36C	-	-	0	0	-	-	-
AV/SV48D	-	-	-	-	12	4	-
AV/SV60D	-	-	-	-	12	4	0

FOOTNOTES:

1. If indoor coil comes with a factory-installed TXV, it must be removed and replaced with the required TXV.
2. Systems matched with furnace or air handlers not equipped with blower-off delays may require blower Time Delay Kit 2FD06700224.

PROCEDURES:

1. Unit factory charge listed on the unit nameplate includes refrigerant for the condenser, the smallest evaporator and 15 feet of inter-connecting line tubing.
2. Verify the TXV and additional charge required for specific evaporator coil in the system using the above table.
3. Additional charge for the amount of interconnecting line tubing greater than 15 feet at the rate specified in the table above.
4. Permanently mark the unit nameplate with the total system charge. Total System Charge = Base Charge (as shipped) + adder for evaporator + adder for line set.

Subject to change without notice. Printed in U.S.A.
 Copyright © by York International Corp. 2007. All rights reserved.



255841-BTD-C-0507
 Supersedes: 255841-BTD-B-0706

**Unitary
 Products
 Group**

**5005
 York
 Drive**

**Norman
 OK
 73069**