

# SUBMITTAL DATA SHEET

**SINGLE PACKAGE HEAT PUMPS  
MODEL: BB-20**



JOB NAME:		LOCATION:		
PURCHASER:		ORDER NO:		
ENGINEER:				
SUBMITTED TO:	FOR:	REF:	APPROVAL:	CONSTRUCTION:
SUBMITTED BY:		DATE:		
UNIT DESIGNATION:		SCHEDULE NO.	MODEL NO.	

**COOLING PERFORMANCE**

TOTAL CAPACITY ----- MBH  
 SENSIBLE CAPACITY ----- MBH  
 OUTDOOR DESIGN TMP. \_\_\_\_\_ °F DB/WB  
 TOTAL SUPPLY AIR ----- CFM  
 TEMP. OF AIR ENTERING  
 EVAPORATOR COIL ----- °F  
 POWER INPUT REQ. ----- KW  
 (LESS BLOWER MOTOR)

**HEATING PERFORMANCE**

CAPACITY  
 @ 47°F ----- MBH  
 @ 17°F ----- MBH  
 COEFFICIENT OF PERFORMANCE  
 @ 47°F ----- MBH  
 @ 17°F ----- MBH  
 (RESISTANCE HEAT - SEE REVERSE SIDE)

**SUPPLY AIR BLOWER PERFORMANCE**

TOTAL SUPPLY AIR ----- CFM  
 EXT. STATIC PRESS. ----- IWG  
 BLOWER SPEED ----- RPM  
 POWER OUTPUT REQ. ----- BHP  
 MOTOR RATING ----- HP  
 POWER INPUT REQ. ----- KW

**ELECTRICAL DATA**

POWER SUPPLY -----  
 TOTAL UNIT AMPACITY ----- AMPS  
 MAX. OVERCURRENT DEVICE  
 \_\_\_ FUSE \_\_\_ BREAKER ----- AMPS

**TOTAL UNIT WEIGHT**

INCLUDING FACTORY-INSTALLED  
 OPTIONS ----- LBS

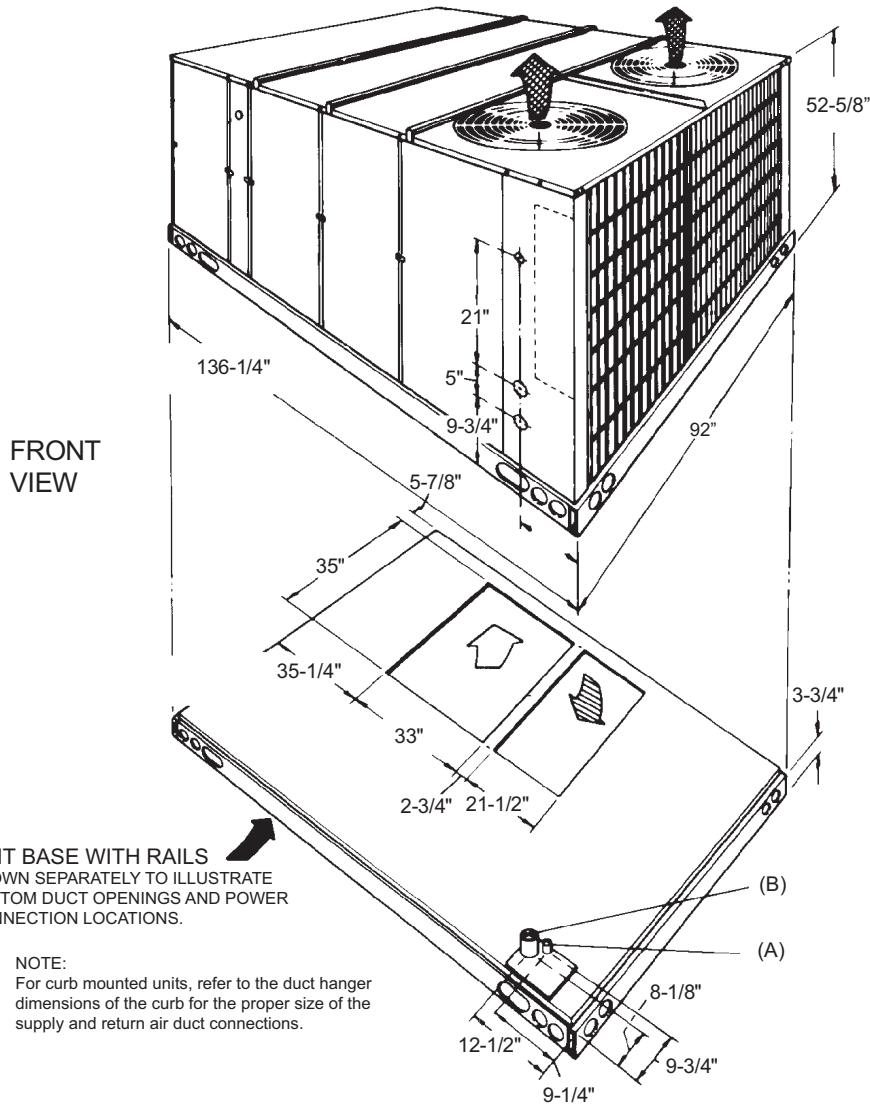
**FACTORY INSTALLED OPTIONS**

- SINGLE INPUT ELECTRONIC ENTHALPY ECONOMIZERS- -----
- BAS-READY ECONOMIZER (2-10 V.D.C. ACTUATOR WITHOUT A CONTROLLER) -----
- POWER EXHAUST -----
- MOTORIZED OUTDOOR AIR INTAKE DAMPER -----
- BAROMETRIC RELIEF DAMPER -----
- PHENOLIC COATED EVAPORATOR COILS -----
- PHENOLIC COATED CONDENSER COILS -----
- FILTER (2" THROW AWAY) -----
- FILTER (4" PLEATED) -----
- POWERED CONVENIENCE OUTLET -----
- NON-POWERED CONVENIENCE OUTLET -----
- DISCONNECT SWITCH -----
- BAS - (BUILDING AUTOMATION SYSTEMS) -----
- Simplicity® Intelli-Comfort™ -----
- Honeywell™ -----
- Novar® -----
- Johnson -----
- CPC -----
- SMOKE DETECTOR (RETURN) -----
- SMOKE DETECTOR (SUPPLY) -----
- STAINLESS STEEL DRAIN PAN -----
- COIL GUARD -----
- PHASE MONITOR -----
- HIGH STATIC DRIVE -----
- DIRTY FILTER SWITCH -----
- HINGED FILTER DOOR/"TOOL FREE" BLOWER AND ACCESS PANELS (NOT HINGED) -----
- HINGED/"TOOL FREE" BLOWER, BLOWER MOTOR, FILTER AND ELECTRICAL ACCESS PANELS -----
- ELECTRIC RESISTANCE HEAT<sup>1</sup> -----
- CAPACITY (AT \_\_\_\_\_ VOLTS) ----- MBH
- POWER INPUT REQUIREMENT ----- KW

**FIELD-INSTALLED ACCESSORIES**

- SINGLE INPUT ELECTRONIC ENTHALPY ECONOMIZERS- -----
- MOTORIZED OUTDOOR AIR INTAKE DAMPER -----
- ROOF CURBS -----
- SIDE DUCT FLANGES -----
- BAROMETRIC RELIEF DAMPER -----
- HIGH STATIC DRIVE -----
- ENTHALPY ACCESSORY CONTROL KIT (DUAL) -----
- BURGLAR BARS -----
- WOOD SKID -----
- DIRTY FILTER SWITCH -----
- AIR PROVING SWITCH -----
- CO<sub>2</sub> SENSOR -----
- COIL GUARD -----
- SMOKE DETECTOR (RETURN) -----
- SMOKE DETECTOR (SUPPLY) -----
- COIL GUARDS -----
- HAIL GUARDS -----
- WALL MOUNT TEMPERATURE SENSOR (Intelli-Comfort™) -----
- WALL MOUNT TEMPERATURE SENSOR WITH OVERRIDE (Intelli-Comfort™) -----
- WALL MOUNT TEMPERATURE SENSOR WITH OVERRIDE & SET POINT ADJ. (Intelli-Comfort™) -----
- HUMIDITY SENSOR (Intelli-Comfort™) -----

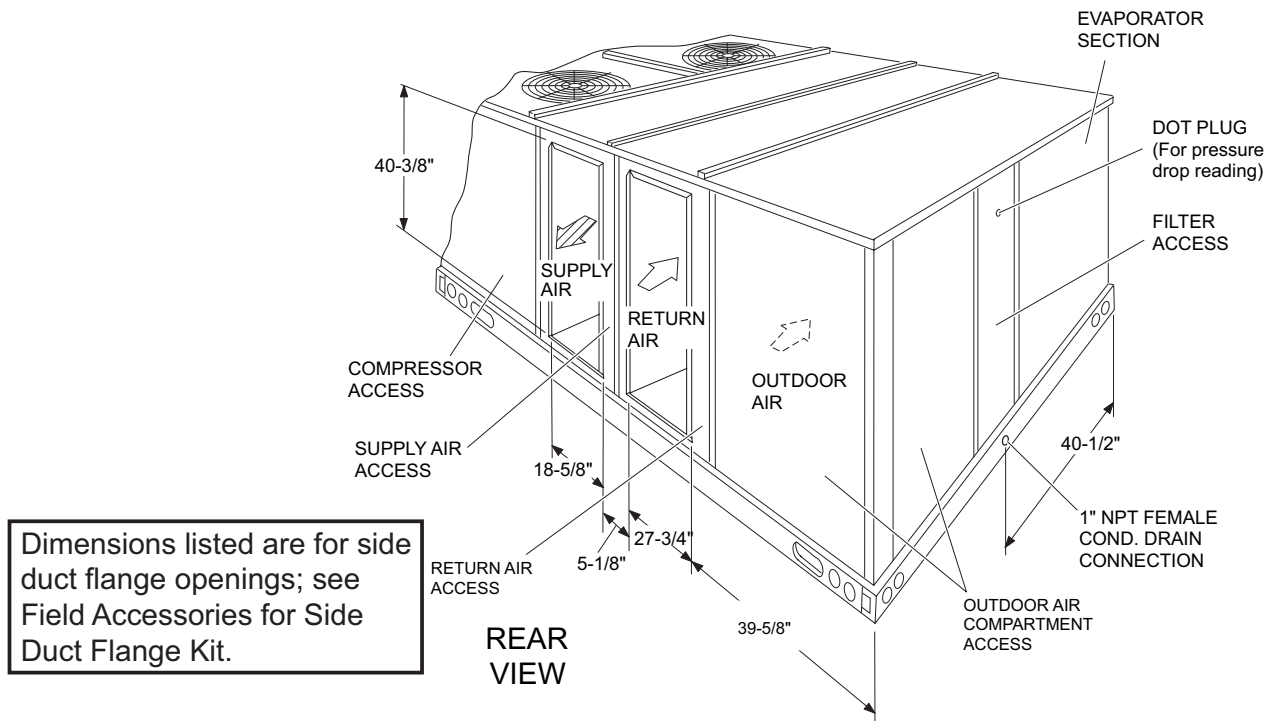
1. UNITS WITH ELECTRIC HEAT HAVE A SINGLE POWER SUPPLY. REFER TO PRODUCT DATA ON THE LEFT SIDE FOR ELECTRICAL DATA.



**UTILITIES ENTRY DATA**

HOLE	OPENING SIZE (DIA.)	USED FOR	
		A	1-1/8" KO
3/4" NPS (Fem.)	Bottom		
B	3-5/8" KO	Power Wiring	Side
	3" NPS (Fem.)		Bottom

NOTE: All entry holes should be field sealed to prevent rain water entry into the building.

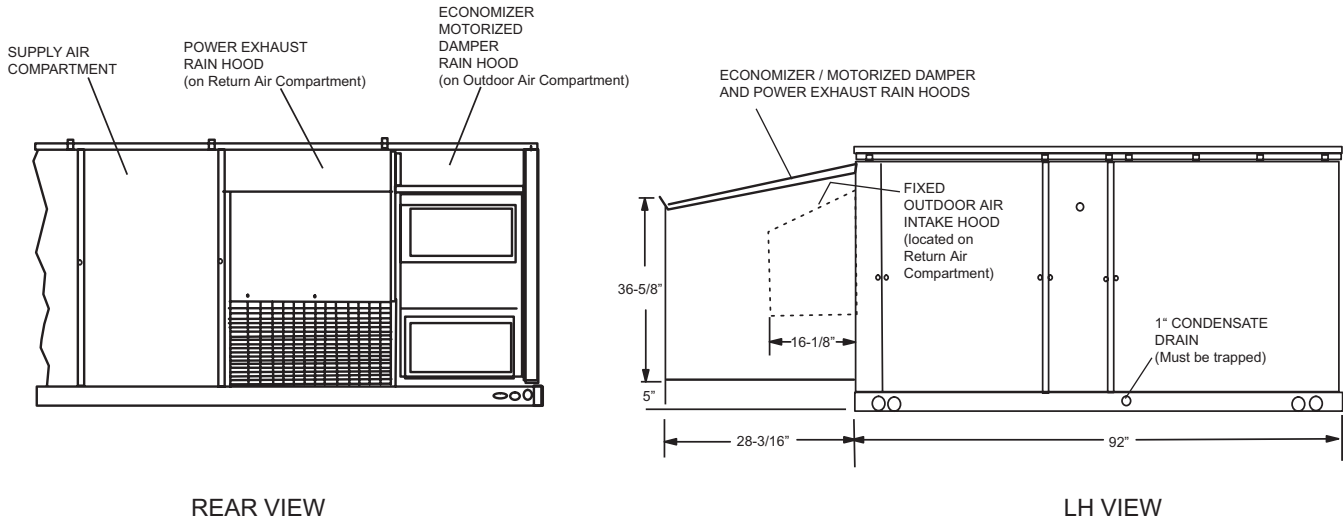


LOCATION	CLEARANCE
Front	36"
Rear	24" (Less Economizer) 49" (With Economizer)
Left Side (Filter Access)	24" (Less Economizer) 36" (With Economizer) <sup>3</sup>
Right Side (Cond. Coil)	36"
Below Unit <sup>1</sup>	0"
Above Unit <sup>2</sup>	72" With 36" Maximum Horizontal Overhang (For Condenser Air Discharge)

1. Units may be installed on combustible floors made from wood or class A, B, or C roof covering material.
2. Units must be installed outdoors. Overhanging structures or shrubs should not obstruct condenser air discharge outlet.
3. If economizer is factory installed, the unassembled rain hood must be removed from its ride along position in front of evaporator coil, or in the outdoor air compartment, prior to final installation.

NOTE: Units and ductwork are approved for zero clearance to combustible material when equipped with electric heaters.

## UNITS WITH RAIN HOODS



DETAIL "Y"  
UNIT WITH RAIN HOODS

## NOTES

**REFER TO UNIT TECHNICAL GUIDE FOR THE LIST OF STANDARD FEATURES**

**ATTACHED**  **NOT ATTACHED**

Subject to change without notice. Printed in U.S.A.  
Copyright © 2007 by Unitary Products Group. All rights reserved.

260196-CSD-C-0707  
Supersedes: 260196-CSD-B-0606

Unitary  
Products  
Group

5005  
York  
Drive

Norman  
OK  
73069