

SUBMITTAL DATA SHEET

ADD - ON COILS FOR USE WITH SPLIT-SYSTEM COOLING & HEAT PUMPS

MODELS: HC, HD

JOB NAME:		LOCATION:		
PURCHASER:		ORDER NO:		
ENGINEER:				
SUBMITTED TO:	FOR:	REF:	APPROVAL:	CONSTRUCTION:
SUBMITTED BY:		DATE:		
UNIT DESIGNATION:		SCHEDULE NO.	MODEL NO.	

PRODUCT DATA

Cooling Performance

Total Capacity* _____ MBH
 Sensible Capacity* _____ MBH
 Temperature of Air Entering _____
 Indoor Coil _____ °F (DB/WB)

Supply Air Blower Performance

Total Supply Air _____ CFM
 Total Resistance External To Unit _____ IWG
 Blower Speed Tap _____ RPM
 Motor Rating _____ HP

Electrical Data

Power Supply _____ / _____ / _____
 Total Unit Ampacity _____ AMPS
 Minimum Wire Size _____ AWG
 (Copper conductors)
 Maximum Overcurrent Device _____ AMPS
 Fuses (Dual Element)
 Circuit Breaker (HACR)

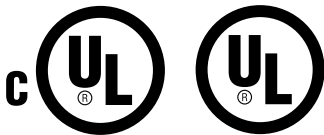
Unit Weight

Total Operating Weight _____ LBS
 (Including field-installed accessories)
 * Shown in Outdoor Unit Technical Guide

CLEARANCES

Front	24"
Rear	1"
Sides	1"

* 0 Clearance allowed when Electric Heater is not installed.



FEATURES

HC & HD COILS

- Rifled copper tubes and aluminum fins
- MicroBlue^{TN} fin coating
- Sweat connect refrigerant connections
- HC - dedicated horizontal cased "A" coil
- HD - dedicated horizontal slab coil

MATCHED INDOOR UNIT

- Model Number (# _____)
- Submittal Part Number (# _____)

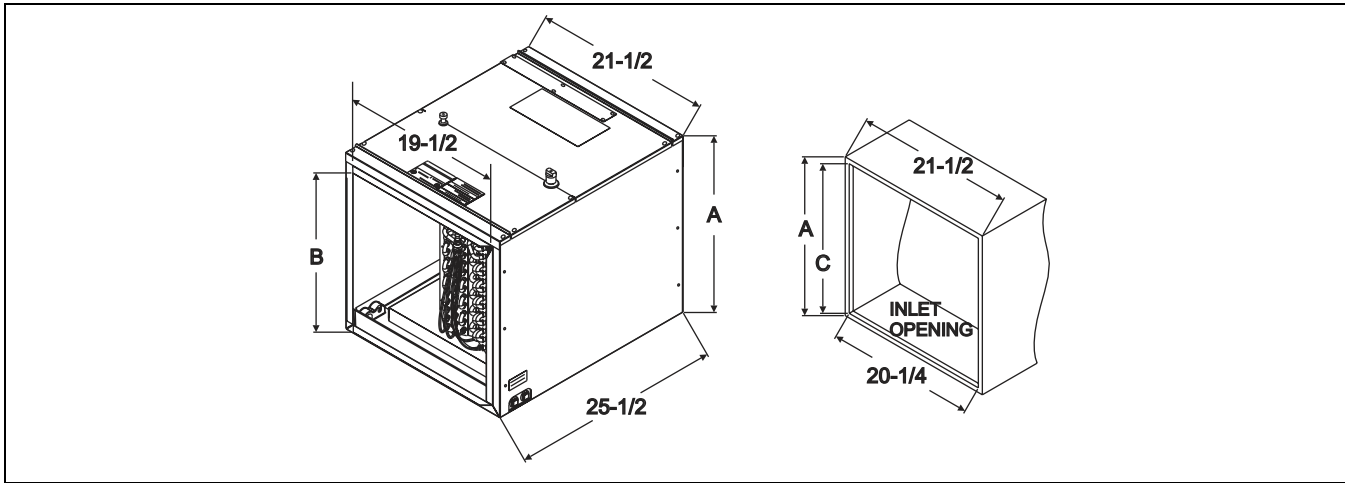
MATCHED OUTDOOR UNIT

- Model Number (# _____)
- Submittal Part Number (# _____)

FIELD INSTALLED ACCESSORIES

- Electric Heaters (# _____)
- Capacity (@ _____ Volts) _____ MBH
- Power Input Requirement (Less Blower Motor) _____ KW
- Filter Rack (# _____)
- Combustible Floor Base (# _____)
- Interconnecting Lines. . . . Length _____ Ft
- Thermal Expansion Valve Kit (# _____)

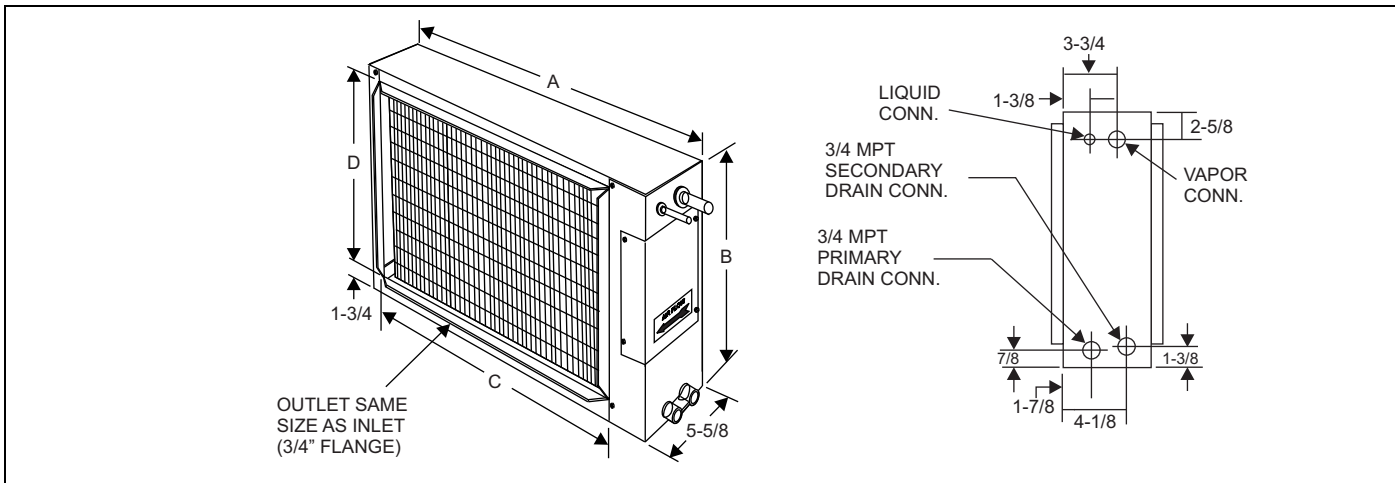
DIMENSIONS - INCHES



HC HORIZONTAL

Dimensions - HC Coils

Model	Dimensions — Inches			Refrigerant Connections	
	A	B	C	Line Size	
				Liquid	Vapor
HC18A**N1	15-5/16	13-1/4	14-3/16	3/8	3/4
HC30A**N1					
HC36B**N1	17-9/16	15-1/2	16-7/16		7/8
HC42C**N1	21-5/16	19-1/4	20-3/16		
HC60D**N1	25-5/16	23-1/4	24-3/16		



HD HORIZONTAL DUCT COIL

Dimensions - HD Coils

Model	Dimensions — Inches				Refrigerant Connections	
	A	B	C	D	Line Size	
					Liquid	Vapor
HD24S**H1	28-3/4	24	23-3/4	21-5/8	3/8	3/4
HD36S**H1	28-3/4	28	23-3/4	25-5/8		
HD48S**H1	34-3/4	28	29-3/4	25-5/8		7/8
HD60S**H1	34-3/4	30	29-3/4	27-5/8		

NOTE: See installation manual for furnace applications.

Subject to change without notice. Printed in U.S.A.
Copyright © by York International Corp. 2006. All rights reserved.

261630-BSD-A-0906
Supersedes: 257093-BSD-B-0506