

SUBMITTAL DATA SHEET



**XA SERIES
SINGLE PACKAGE HEAT PUMP
MODELS: XA-03, -04 & -05**

JOB NAME:		LOCATION:		
PURCHASER:		ORDER NO:		
ENGINEER:				
SUBMITTED TO:	FOR:	REF:	APPROVAL:	CONSTRUCTION:
SUBMITTED BY:		DATE:		
UNIT DESIGNATION:		SCHEDULE NO.	MODEL NO.	

FACTORY INSTALLED OPTIONS

COOLING PERFORMANCE

TOTAL CAPACITY----- MBH

SENSIBLE CAPACITY ----- MBH

OUTDOOR DESIGN TMP. _____ °F DB/WB

TOTAL SUPPLY AIR ----- CFM

TEMP. OF AIR ENTERING
EVAPORATOR COIL ----- °F

POWER INPUT REQ. ----- KW
(LESS BLOWER MOTOR)

HEATING PERFORMANCE

CAPACITY

 @ 47°F----- MBH

 @ 17°F----- MBH

COEFFICIENT OF PERFORMANCE

 @ 47°F----- MBH

 @ 17°F----- MBH

(RESISTANCE HEAT - SEE REVERSE SIDE)

SUPPLY AIR BLOWER PERFORMANCE

TOTAL SUPPLY AIR ----- CFM

EXT. STATIC PRESS. ----- IWG

BLOWER SPEED----- RPM

POWER OUTPUT REQ. ----- BHP

MOTOR RATING ----- HP

POWER INPUT REQ. ----- KW

ELECTRICAL DATA

POWER SUPPLY-----

TOTAL UNIT AMPACITY ----- AMPS

MAX. OVERCURRENT DEVICE

__ FUSE __ BREAKER ----- AMPS

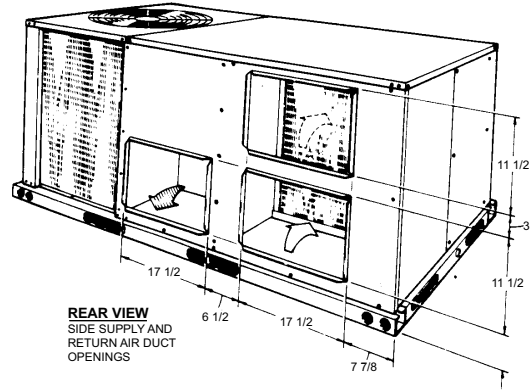
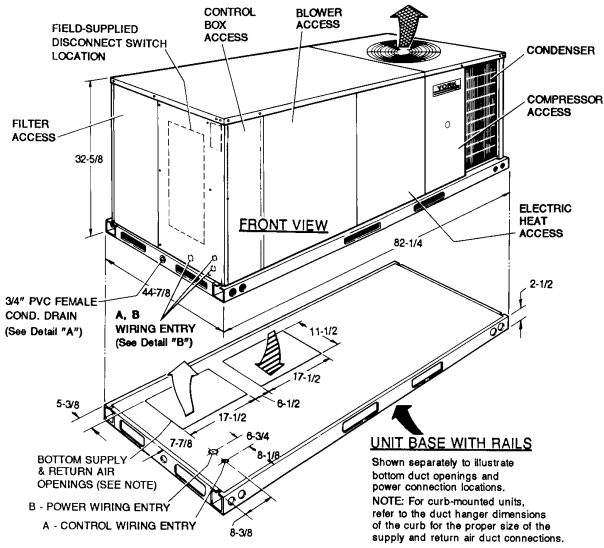
TOTAL UNIT WEIGHT

INCLUDING FACTORY- INSTALLED
OPTIONS----- LBS

- SINGLE INPUT ELECTRONIC ENTHALPY ECONOMIZERS -----
- MOTORIZED OUTDOOR AIR INTAKE DAMPER-----
- PHENOLIC COATED EVAPORATOR COILS-----
- PHENOLIC COATED CONDENSER COILS -----
- ELECTRIC HEATERS -----
- FILTER (2" PLEATED)-----
- POWERED CONVENIENCE OUTLET-----
- NON-POWERED CONVENIENCE OUTLET -----
- DISCONNECT SWITCH-----
- BAS - (BUILDING AUTOMATION SYSTEMS) -----
- Simplicity® Intelli-Comfort™ -----
- Honeywell™ -----
- Novar® -----
- Johnson -----
- CPC -----
- SMOKE DETECTOR (RETURN)-----
- SMOKE DETECTOR (SUPPLY) -----
- COIL GUARD -----
- STAINLESS STEEL DRAIN PAN -----
- BAS READY ECONOMIZER (2-10 V.D.C. ACTUATOR WITHOUT
A CONTROLLER) -----
- AIR PROVING SWITCH-----
- PHASE MONITOR-----
- BELT DRIVE -----
- BELT DRIVE (HIGH STATIC) -----
- DIRECT DRIVE -----
- DIRTY FILTER SWITCH -----
- HINGED FILTER DOOR/"TOOLLESS" BLOWER AND ACCESS
PANELS (NOT HINGED) -----

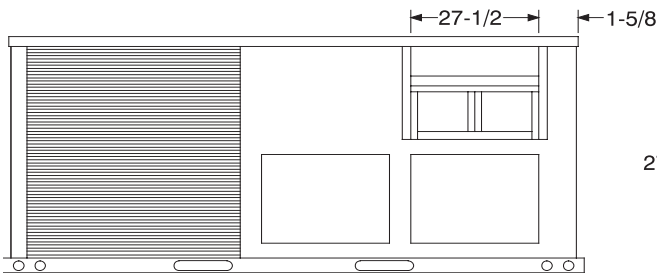
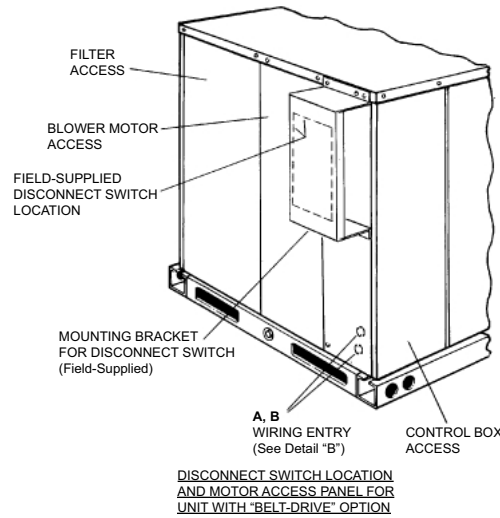
FIELD INSTALLED ACCESSORIES

- SINGLE INPUT ELECTRONIC ENTHALPY ECONOMIZERS -----
- ENTHALPY ACCESSORY CONTROL KIT (DUAL)-----
- MOTORIZED OUTDOOR AIR INTAKE DAMPER -----
- ROOF CURBS -----
- BAROMETRIC RELIEF DAMPER -----
- BURGLAR BARS-----
- CO₂ SENSOR, UNIT MOUNT-----
- CO₂ SENSOR, SPACE MOUNT -----
- DIRTY FILTER SWITCH -----
- AIR PROVING SWITCH-----
- POWER EXHAUST -----
- ELECTRIC HEAT -----
- COIL GUARDS -----
- HAIL GUARDS -----
- WALL MOUNT TEMPERATURE SENSOR (Intelli-Comfort™) -----
- WALL MOUNT TEMPERATURE SENSOR WITH
OVERRIDE (Intelli-Comfort™) -----
- WALL MOUNT TEMPERATURE SENSOR WITH OVERRIDE
& SET POINT ADJ. (Intelli-Comfort™) -----
- HUMIDITY SENSOR (Intelli-Comfort™)-----

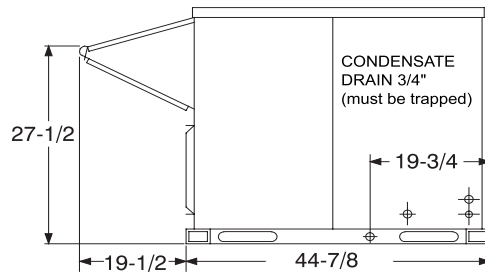


UTILITIES ENTRY DATA

HOLE	KNOCKOUT SIZE (DIA.)	USED FOR
A	7/8"	Control Wiring (Side or Bottom)
B	2"	Power Wiring (Side or Bottom)

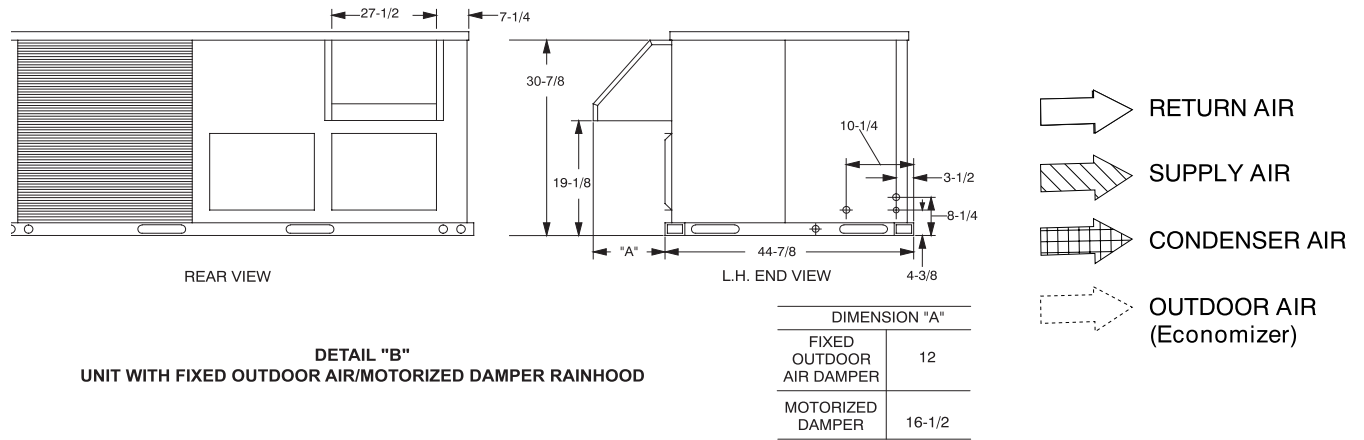


REAR VIEW



L.H. END VIEW

DETAIL "A"
UNIT WITH ECONOMIZER RAINHOOD



MINIMUM CLEARANCES

LOCATION	CLEARANCE
Front	24" (Cooling/Electric Heat)
Rear	12" (Less Economizer) 36" (With Economizer or Fixed Air/Motorized Damper)
Left Side (Filter Access)	24" (Less Economizer) 36" (With Economizer)
Right Side (Cond. Coil)	24"
Below Unit ¹	0"
Above Unit ²	72" (For Condenser Air Discharge)

1. Units may be installed on combustible floors made from wood or class A, B, or C roof covering material.
2. Units must be installed outdoors. Overhanging structures or shrubs should not obstruct condenser air discharge outlet.

NOTE: Units and ductwork are approved for zero clearance to combustible materials when equipped with electric heaters.

NOTE: All entry holes should be field sealed to prevent rain water entry into building.

NOTES

REFER TO TECHNICAL GUIDE FOR THE LIST OF STANDARD FEATURES

ATTACHED **NOT ATTACHED**

Subject to change without notice. Printed in U.S.A.
Copyright © 2008 by Johnson Controls, Inc. All rights reserved.

267730-CSD-C-0408
Supersedes: 267730-CSD-B-0507

Johnson Controls Unitary Products
5005 York Drive
Norman, OK 73069