

# SUBMITTAL DATA SHEET



## ECHELON SPLIT SYSTEM HEAT PUMP UNITS

13 SEER 1-1/2, 2, 2-1/2, 3, 3-1/2, 4 & 5 TON

MODELS: HC3B018 THRU 060

JOB NAME:			LOCATION:		
PURCHASER:			ORDER NO.:		
ENGINEER:					
SUBMITTED TO:	FOR:	REF:	APPROVAL:	CONSTRUCTION:	
SUBMITTED BY:			DATE:		
UNIT DESIGNATION:			SCHEDULE NO.	MODEL NO.	

### PRODUCT DATA

#### Cooling Performance

Total Capacity \_\_\_\_\_ MBH

Outdoor Design Temp \_\_\_\_\_ °F

#### Electrical Data

Power Supply \_\_\_\_\_ / \_\_\_\_\_ / \_\_\_\_\_

Total Unit Ampacity \_\_\_\_\_ AMPs

Power Input Req \_\_\_\_\_ KW

Minimum Wire Size \_\_\_\_\_ AWG

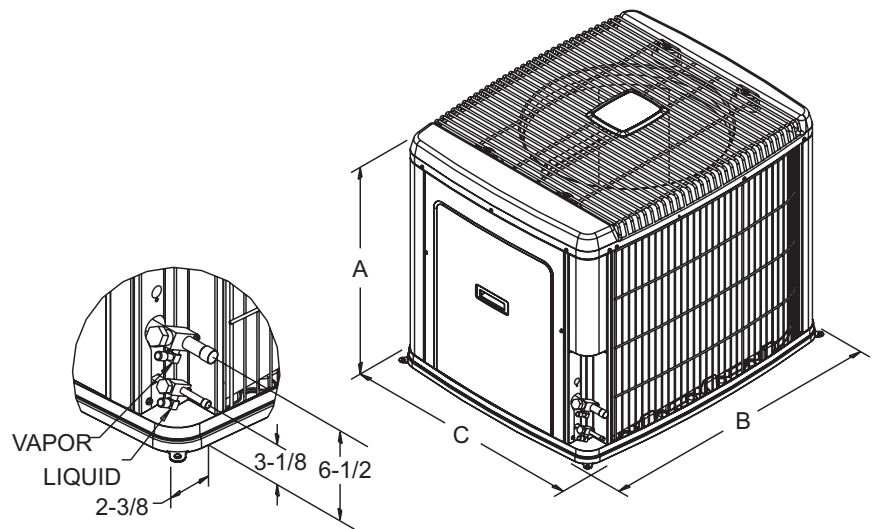
Maximum Overcurrent Device

Fuses  Circuit Breaker

#### Unit Weight

Unit Weight \_\_\_\_\_ LBS

### DIMENSIONS - INCHES



All dimensions are in inches. They are subject to change without notice. Certified dimensions will be provided upon request.

Unit Model	Dimensions (Inches)			Refrigerant Connection Service Valve Size	
	A	B	C	Liquid	Vapor
018	29-1/2	37	31	3/8"	3/4"
024	33-1/2	37	31		
030	33-1/2	37	31		
036	39-1/2	37	31		7/8"
042	39-1/2	37	31		
048	39-1/2	37	31		
060	39-1/2	42	34		



**FEATURES**

- UL approval (units & accessories)
- CSA listed and ARI certified
- 5-year limited parts warranty
- 10-year limited warranty on the compressor
- Copper tube/aluminum fin coil
- Hi and Lo pressure switches standard
- Durable construction
- Powder-painted steel cabinet
- Factory wired
- R-410A total system charge (thru 15 ft. of lines)
- Sweat refrigerant connections
- Re-usable service valves
- Slide down electrical compartment for easy access
- Enhanced coil guard
- Composite base pan
- Isolated compressor compartment
- Full service access panel

**MATCHING AIR SIDE EQUIPMENT**

Model No. ( \_\_\_\_\_ )  
 Submittal Form No. ( \_\_\_\_\_ )

**FIELD INSTALLED ACCESSORIES**

Dehumidification Control (2HU16700124)( \_\_\_\_\_ )  
 Thermostat ( \_\_\_\_\_ )  
 Thermal Expansion Valve\* ( \_\_\_\_\_ )  
 Hard Start Kit ( \_\_\_\_\_ )  
 Compressor Discharge Temperature Sensor Kit ( \_\_\_\_\_ )  
 Bonnet Sensor kit ( \_\_\_\_\_ )  
 Heat Pump Risers ( \_\_\_\_\_ )  
 Two Speed Fan Control- Furnaces ( \_\_\_\_\_ )  
 Two Speed Fan Control - Air Handlers ( \_\_\_\_\_ )

\* Must be installed for proper performance.

*(Refer to form 036-21558-001 for detailed specifications on the unit and its accessories.)*

**CLEARANCES**

Front of Unit .....24 inch  
 All Other Sides ..... 12 inch  
 Above Unit .....60 inch  
 Below Unit..... 0 inch

\*Must be installed for proper

**NOTES:**

---



---



---