

# SUBMITTAL DATA SHEET



**MagnaDRY™**  
**GAS/ELECTRIC SINGLE PACKAGE AIR CONDITIONERS**  
**MODELS: DK-03, -04, -05 & -A6**

JOB NAME:		LOCATION:	
PURCHASER:		ORDER NO:	
ENGINEER:			
SUBMITTED TO:	FOR:	REF:	APPROVAL:
SUBMITTED BY:		DATE:	
UNIT DESIGNATION:	SCHEDULE NO.	MODEL NO.	

**COOLING PERFORMANCE**

TOTAL CAPACITY----- MBH

SENSIBLE CAPACITY----- MBH

OUTDOOR DESIGN TMP. \_\_\_\_\_ °F DB/WB

TOTAL SUPPLY AIR ----- CFM

TEMP. OF AIR ENTERING

EVAPORATOR COIL ----- °F

POWER INPUT REQ. ----- KW  
 (LESS BLOWER MOTOR)

**HEATING PERFORMANCE**

ELECTRIC HEAT ----- KW

GAS-FIRED INPUT-CAP. ----- MBH

**SUPPLY AIR BLOWER PERFORMANCE**

TOTAL SUPPLY AIR ----- CFM

EXT. STATIC PRESS. ----- IWG

BLOWER SPEED----- RPM

POWER OUTPUT REQ. ----- BHP

MOTOR RATING ----- HP

POWER INPUT REQ. ----- KW

**ELECTRICAL DATA**

POWER SUPPLY-----

TOTAL UNIT AMPACITY ----- AMPS

MAX. OVERCURRENT DEVICE

\_\_\_ FUSE \_\_\_ BREAKER ----- AMPS

**TOTAL UNIT WEIGHT**

INCLUDING FACTORY- INSTALLED  
 OPTIONS----- LBS

**FACTORY INSTALLED OPTIONS**

SINGLE INPUT ELECTRONIC ENTHALPY ECONOMIZERS -----

MOTORIZED OUTDOOR AIR INTAKE DAMPER -----

PHENOLIC COATED EVAPORATOR COILS-----

PHENOLIC COATED CONDENSER COILS -----

ELECTRIC HEATERS -----

FILTER (2" PLEATED)-----

POWERED CONVENIENCE OUTLET-----

NON-POWERED CONVENIENCE OUTLET -----

DISCONNECT SWITCH-----

BAS - (BUILDING AUTOMATION SYSTEMS) -----

    Simplicity® Intelli-Comfort™ -----

    Honeywell™ -----

    Novar®-----

    Johnson -----

    CPC -----

SMOKE DETECTOR (RETURN)- -----

SMOKE DETECTOR (SUPPLY) -----

COIL GUARD -----

STAINLESS STEEL HEAT EXCHANGER -----

STAINLESS STEEL DRAIN PAN -----

BAS READY ECONOMIZER (2-10 V.D.C. ACTUATOR WITHOUT  
 A CONTROLLER) -----

AIR PROVING SWITCH-----

PHASE MONITOR-----

BELT DRIVE -----

BELT DRIVE (HIGH STATIC) -----

DIRECT DRIVE -----

DIRTY FILTER SWITCH -----

HINGED FILTER DOOR/"TOOLLESS" BLOWER AND  
 ACCESS PANELS (NOT HINGED) -----

**FIELD INSTALLED ACCESSORIES**

SINGLE INPUT ELECTRONIC ENTHALPY ECONOMIZERS -----

ENTHALPY ACCESSORY CONTROL KIT (DUAL)-----

MOTORIZED OUTDOOR AIR INTAKE DAMPER - -----

ROOF CURBS -----

HIGH ALTITUDE NATURAL GAS -----

PROPANE CONVERSION -----

HIGH ALTITUDE PROPANE -----

BAROMETRIC RELIEF DAMPER -----

BURGLAR BARS-----

FLUE EXHAUST EXTENSION KIT -----

CO2 SENSOR, UNIT MOUNT -----

CO2 SENSOR, SPACE MOUNT-----

DIRTY FILTER SWITCH -----

AIR PROVING SWITCH-----

POWER EXHAUST -----

ELECTRIC HEAT -----

LOW NOx KIT -----

COIL GUARDS -----

HAIL GUARDS -----

LOW AMBIENT KIT -----

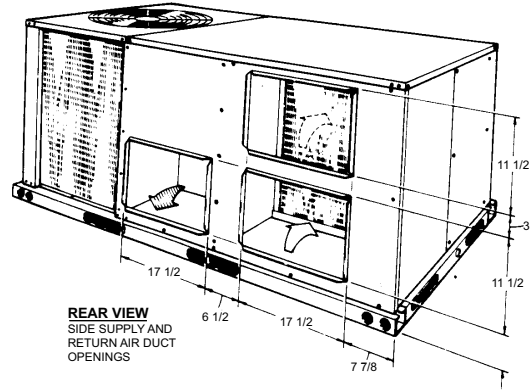
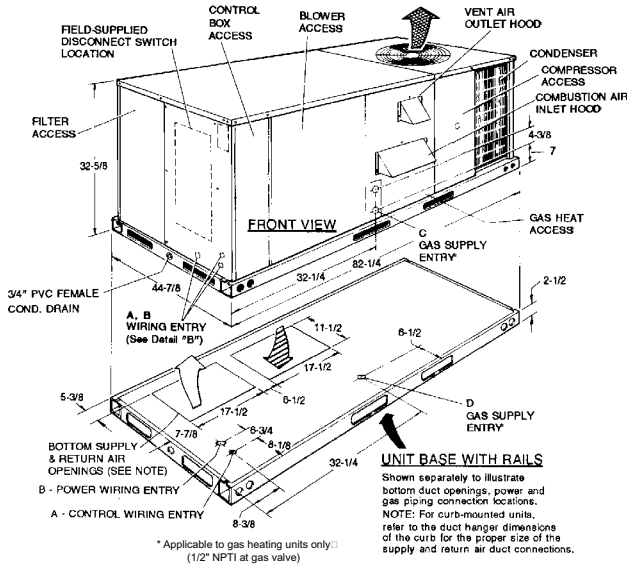
GAS PIPING KIT -----

WALL MOUNT TEMPERATURE SENSOR (Intelli-Comfort™) -----

WALL MOUNT TEMPERATURE SENSOR WITH  
 OVERRIDE (Intelli-Comfort™) -----

WALL MOUNT TEMPERATURE SENSOR WITH  
 OVERRIDE & SET POINT ADJ. (Intelli-Comfort™)- -----

HUMIDITY SENSOR (Intelli-Comfort™)- -----

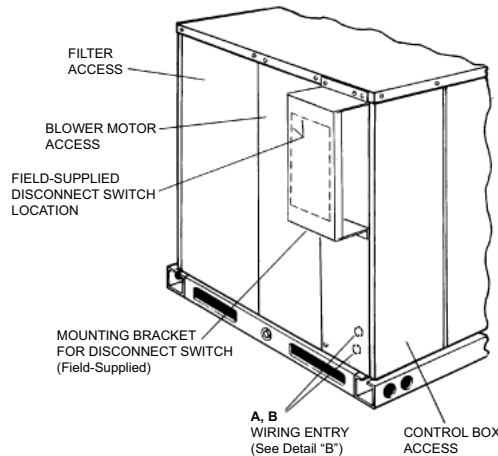


**UTILITIES ENTRY DATA**

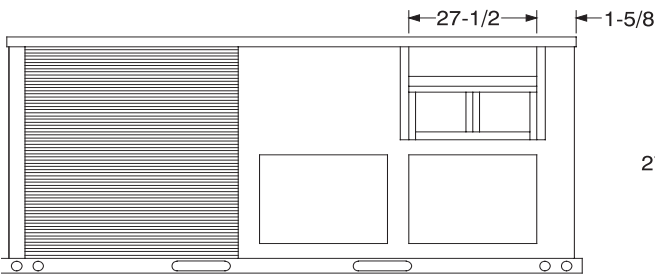
HOLE	KNOCKOUT SIZE (DIA.)	USED FOR
A	7/8"	Control Wiring (Side or Bottom)
B	2"	Power Wiring (Side or Bottom)
C	1-5/8"	Gas Piping (Front)
D	1-1/2"	Gas Piping (Bottom)

**UNIT BASE WITH RAILS**  
 Shown separately to illustrate bottom duct openings, power and gas piping connection locations.  
 NOTE: For curb-mounted units, refer to the duct hanger dimensions of the curb for the proper size of the supply and return air duct connections.

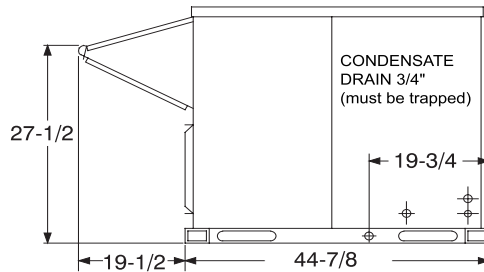
\* Applicable to gas heating units only (1/2" NPTI at gas valve)



**DISCONNECT SWITCH LOCATION AND MOTOR ACCESS PANEL FOR UNIT WITH "BELT-DRIVE" OPTION**

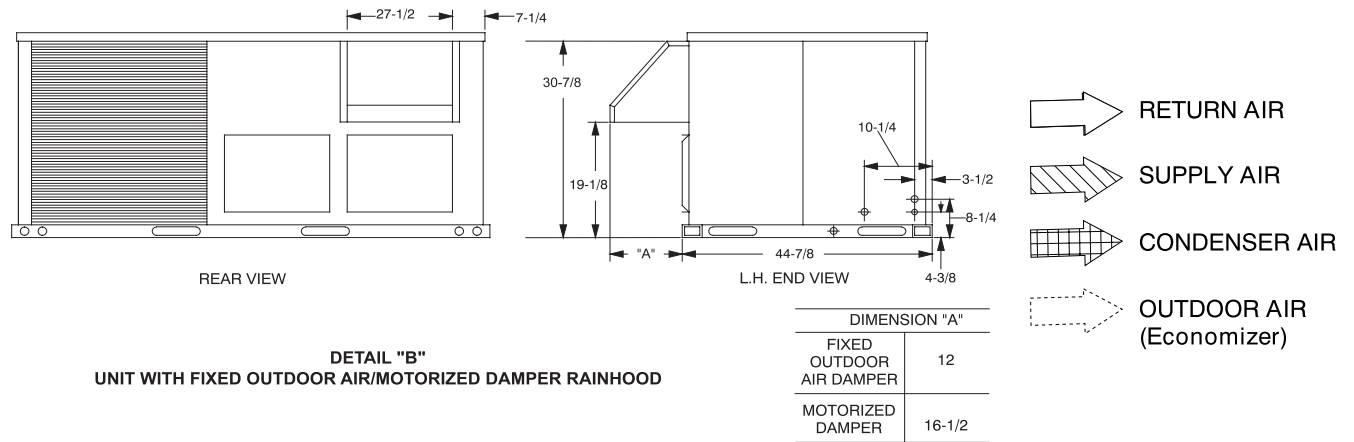


REAR VIEW



L.H. END VIEW

**DETAIL "A"  
 UNIT WITH ECONOMIZER RAINHOOD**



**MINIMUM CLEARANCES**

LOCATION	CLEARANCE
Front	24" (Cooling/Electric Heat) 32" (Gas Heat)
Rear	12" (Less Economizer) 36" (With Economizer or Fixed Air/Motorized Damper)
Left Side (Filter Access)	24" (Less Economizer) 36" (With Economizer)
Right Side (Cond. Coil)	24"
Below Unit <sup>1</sup>	0"
Above Unit <sup>2</sup>	72" (For Condenser Air Discharge)

1. Units may be installed on combustible floors made from wood or class A, B, or C roof covering material.
2. Units must be installed outdoors. Overhanging structures or shrubs should not obstruct condenser air discharge outlet.

**NOTE:** A 1" clearance must be provided between any combustible material and the supply air ductwork for a distance of 3 feet from the unit.

**NOTE:** The products of combustion must not be allowed to accumulate within a confined space and recirculate.

**NOTE:** Locate unit so that the vent air outlet hood is at least:

- Three (3) feet above any force air inlet located within 10 horizontal feet (excluding those integral to the unit).
- Four (4) feet below, four horizontal feet from, or one foot above any door or gravity air inlet into the building.
- Four (4) feet from electric and gas meters, regulators and relief equipment.

**NOTE:** Units and ductwork are approved for zero clearance to combustible materials when equipped with electric heaters.

**NOTE:** All entry holes should be field sealed to prevent rain water entry into building.

# NOTES

**REFER TO THE TECHNICAL GUIDE FOR THE LIST OF STANDARD FEATURES**

**ATTACHED**  **NOT ATTACHED**

Subject to change without notice. Printed in U.S.A.  
Copyright © 2008 by Johnson Controls, Inc. All rights reserved.

340859-CSD-B-0408  
Supersedes: 340859-CSD-A-0507

---

**Johnson Controls Unitary Products**  
**5005 York Drive**  
**Norman, OK 73069**