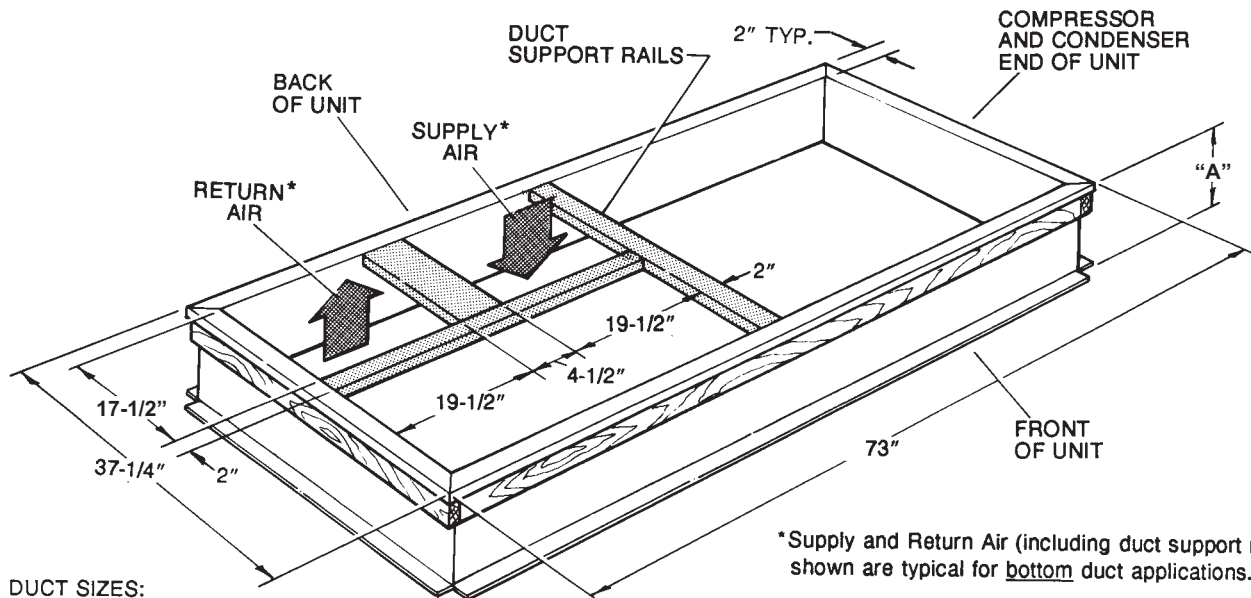


SUBMITTAL DATA SHEET



**ROOF CURB (FOR 3 - 6 TON SINGLE PACKAGE ROOFTOP MODELS WITH & WITHOUT BOTTOM CONDENSATE DRAIN)
MODEL: 1RC0442**

JOB NAME:		LOCATION:		
PURCHASER:		ORDER NO:		
ENGINEER:				
SUBMITTED TO:	FOR:	REF:	APPROVAL:	CONSTRUCTION:
SUBMITTED BY:		DATE:		
UNIT DESIGNATION:		SCHEDULE NO.	MODEL NO.	



DUCT SIZES:
Supply Air = 17" x 19"
Return Air = 17" x 19"

*Supply and Return Air (including duct support rails) shown are typical for bottom duct applications.

For location of horizontal duct applications (on back of unit), refer to Unit Dimension details.

NOTE:

1. Roof curb is built to NRCA standards.
2. Roof curb is constructed of 18 gauge G90 steel.
3. Unit duct supports are provided.
4. Full perimeter 4 wood nailer.
5. Curbs are shipped unassembled.
6. Corner hinge pins are used for assembly.

MODEL	DIMENSION "A"
1RC0442	12"

Suggested roof opening: 43-1/2" long x 33-1/4 wide.

Refer to price pages for other details.

Subject to change without notice. Printed in U.S.A.
Copyright © 2007 by Unitary Products Group. All rights reserved.

341455-CSD-A-0507
Supersedes: Nothing

Unitary
Products
Group

5005
York
Drive

Norman
OK
73069