

SUBMITTAL DATA SHEET



**GAS/ELECTRIC & ELECTRIC/ELECTRIC
SINGLE PACKAGE AIR CONDITIONERS
MODELS: DG-03, -04 & -05**

JOB NAME:		LOCATION:		
PURCHASER:		ORDER NO:		
ENGINEER:				
SUBMITTED TO:	FOR:	REF:	APPROVAL:	CONSTRUCTION:
SUBMITTED BY:		DATE:		
UNIT DESIGNATION:	SCHEDULE NO.		MODEL NO.	

COOLING PERFORMANCE

TOTAL CAPACITY----- MBH
 SENSIBLE CAPACITY----- MBH
 OUTDOOR DESIGN TMP. _____ °F DB/WB
 TOTAL SUPPLY AIR----- CFM
 TEMP. OF AIR ENTERING
 EVAPORATOR COIL----- °F
 POWER INPUT REQ.----- KW
 (LESS BLOWER MOTOR)

HEATING PERFORMANCE

ELECTRIC HEAT----- KW
 GAS-FIRED INPUT-CAP.----- MBH

SUPPLY AIR BLOWER PERFORMANCE

TOTAL SUPPLY AIR----- CFM
 EXT. STATIC PRESS.----- IWG
 BLOWER SPEED----- RPM
 POWER OUTPUT REQ.----- BHP
 MOTOR RATING----- HP
 POWER INPUT REQ.----- KW

ELECTRICAL DATA

POWER SUPPLY-----
 TOTAL UNIT AMPACITY----- AMPS
 MAX. OVERCURRENT DEVICE
 ___ FUSE ___ BREAKER----- AMPS

TOTAL UNIT WEIGHT

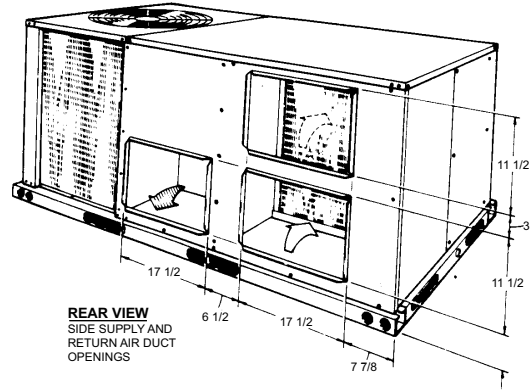
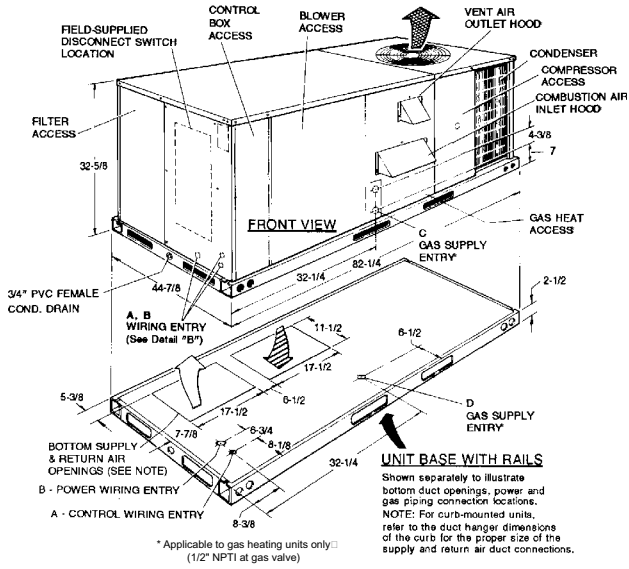
INCLUDING FACTORY- INSTALLED
 OPTIONS----- LBS

FACTORY INSTALLED OPTIONS

- SINGLE INPUT ELECTRONIC ENTHALPY ECONOMIZERS -----
- MOTORIZED OUTDOOR AIR INTAKE DAMPER-----
- PHENOLIC COATED EVAPORATOR COILS-----
- PHENOLIC COATED CONDENSER COILS-----
- ELECTRIC HEATERS-----
- FILTER (2" PLEATED)-----
- POWERED CONVENIENCE OUTLET-----
- NON-POWERED CONVENIENCE OUTLET-----
- DISCONNECT SWITCH-----
- BAS - (BUILDING AUTOMATION SYSTEMS)-----
- Simplicity® Intelli-Comfort™-----
- Honeywell™-----
- Novar®-----
- Johnson-----
- CPC-----
- SMOKE DETECTOR (RETURN)-----
- SMOKE DETECTOR (SUPPLY)-----
- COIL GUARD-----
- STAINLESS STEEL HEAT EXCHANGER-----
- STAINLESS STEEL DRAIN PAN-----
- BAS READY ECONOMIZER (2-10 V.D.C. ACTUATOR WITHOUT
A CONTROLLER)-----
- AIR PROVING SWITCH-----
- PHASE MONITOR-----
- DIRECT DRIVE-----
- DIRTY FILTER SWITCH-----
- HINGED FILTER DOOR/"TOOLLESS" BLOWER AND
ACCESS PANELS (NOT HINGED)-----

FIELD INSTALLED ACCESSORIES

- SINGLE INPUT ELECTRONIC ENTHALPY ECONOMIZERS -----
- ENTHALPY ACCESSORY CONTROL KIT (DUAL)-----
- MOTORIZED OUTDOOR AIR INTAKE DAMPER-----
- ROOF CURBS-----
- HIGH ALTITUDE NATURAL GAS-----
- PROPANE CONVERSION-----
- HIGH ALTITUDE PROPANE-----
- BAROMETRIC RELIEF DAMPER-----
- BURGLAR BARS-----
- FLUE EXHAUST EXTENSION KIT-----
- CO2 SENSOR, UNIT MOUNT-----
- CO2 SENSOR, SPACE MOUNT-----
- DIRTY FILTER SWITCH-----
- AIR PROVING SWITCH-----
- POWER EXHAUST-----
- ELECTRIC HEAT-----
- LOW NOx KIT-----
- COIL GUARDS-----
- HAIL GUARDS-----
- LOW AMBIENT KIT-----
- GAS PIPING KIT-----
- WALL MOUNT TEMPERATURE SENSOR (Intelli-Comfort™)-----
- WALL MOUNT TEMPERATURE SENSOR WITH
OVERRIDE (Intelli-Comfort™)-----
- WALL MOUNT TEMPERATURE SENSOR WITH
OVERRIDE & SET POINT ADJ. (Intelli-Comfort™)-----
- HUMIDITY SENSOR (Intelli-Comfort™)-----

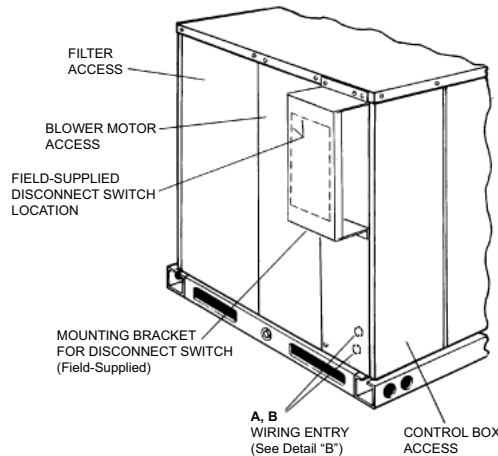


UTILITIES ENTRY DATA

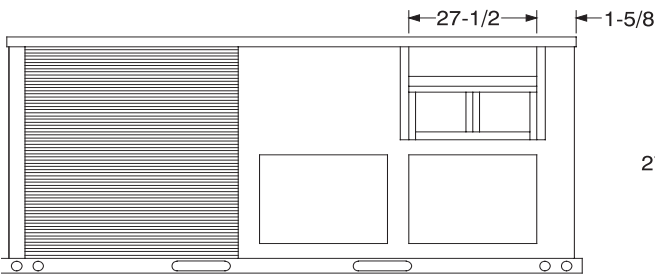
HOLE	KNOCKOUT SIZE (DIA.)	USED FOR
A	7/8"	Control Wiring (Side or Bottom)
B	2"	Power Wiring (Side or Bottom)
C	1-5/8"	Gas Piping (Front)
D	1-1/2"	Gas Piping (Bottom)

UNIT BASE WITH RAILS
 Shown separately to illustrate bottom duct openings, power and gas piping connection locations.
 NOTE: For curb-mounted units, refer to the duct hanger dimensions of the curb for the proper size of the supply and return air duct connections.

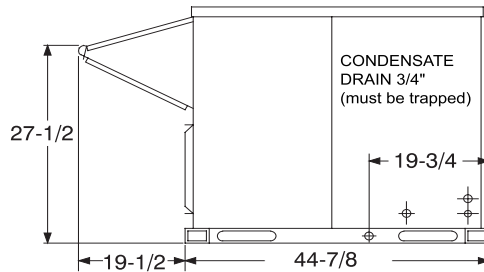
* Applicable to gas heating units only (1/2" NPTI at gas valve)



DISCONNECT SWITCH LOCATION AND MOTOR ACCESS PANEL FOR UNIT WITH "BELT-DRIVE" OPTION

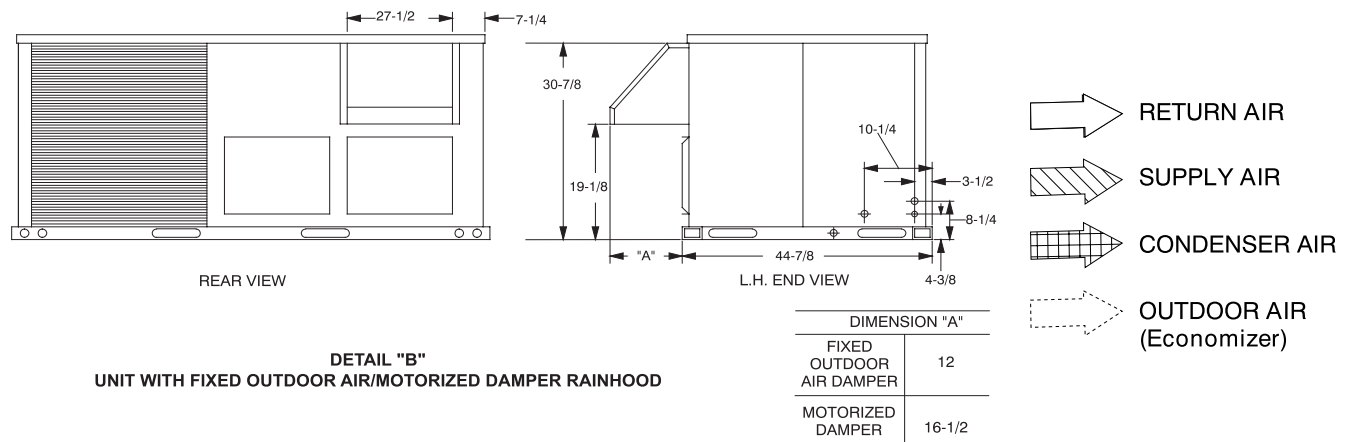


REAR VIEW



L.H. END VIEW

**DETAIL "A"
 UNIT WITH ECONOMIZER RAINHOOD**



MINIMUM CLEARANCES

LOCATION	CLEARANCE
Front	24" (Cooling/Electric Heat) 32" (Gas Heat)
Rear	12" (Less Economizer) 36" (With Economizer or Fixed Air/Motorized Damper)
Left Side (Filter Access)	24" (Less Economizer) 36" (With Economizer)
Right Side (Cond. Coil)	24"
Below Unit ¹	0"
Above Unit ²	72" (For Condenser Air Discharge)

1. Units may be installed on combustible floors made from wood or class A, B, or C roof covering material.
2. Units must be installed outdoors. Overhanging structures or shrubs should not obstruct condenser air discharge outlet.

NOTE: A 1" clearance must be provided between any combustible material and the supply air ductwork for a distance of 3 feet from the unit.

NOTE: The products of combustion must not be allowed to accumulate within a confined space and recirculate.

NOTE: Locate unit so that the vent air outlet hood is at least:

- Three (3) feet above any force air inlet located within 10 horizontal feet (excluding those integral to the unit).
- Four (4) feet below, four horizontal feet from, or one foot above any door or gravity air inlet into the building.
- Four (4) feet from electric and gas meters, regulators and relief equipment.

NOTE: Units and ductwork are approved for zero clearance to combustible materials when equipped with electric heaters.

NOTE: All entry holes should be field sealed to prevent rain water entry into building.

NOTES

REFER TO THE TECHNICAL GUIDE FOR THE LIST OF STANDARD FEATURES

ATTACHED **NOT ATTACHED**

Subject to change without notice. Printed in U.S.A.
Copyright © 2008 by Johnson Controls, Inc. All rights reserved.

343611-CSD-B-0408
Supersedes: 343611-CSD-A-0807

Johnson Controls Unitary Products
5005 York Drive
Norman, OK 73069