

TABULAR DATA SHEET

Outdoor Split System Heat Pump 1.5 Thru 5 Tons

MODELS: GHGD18* THRU 60

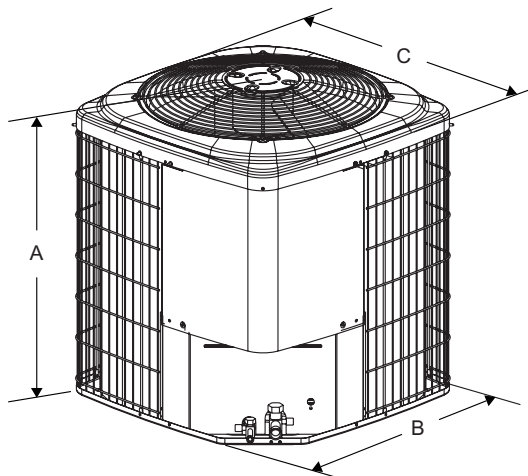
13 SEER – R-22, 1 PHASE

Physical and Electrical Data

MODEL	GHGD18 S21S1	GHGD24 S21S1	GHGD30 S21S1	GHGD36 S21S1	GHGD42 S21S1	GHGD48 S21S1	GHGD60 S21S1	
Unit Supply Voltage	208-230V, 1 ϕ , 60Hz							
Normal Voltage Range ¹	187 to 252							
Minimum Circuit Ampacity	9.9	13.1	17.7	19.8	24.9	30.3	38.3	
Max. Overcurrent Device Amps ²	15	20	30	30	40	50	60	
Min. Overcurrent Device Amps ³	15	15	20	20	25	35	40	
Compressor Type	Recip	Recip	Recip	Recip	Recip	Scroll	Scroll	
Compressor Amps	Rated Load	7.6	9.9	13.1	14.6	18.7	23.0	29.5
	Locked Rotor	36	54	61	78	78	115	150
Crankcase Heater	Yes	Yes	Yes	Yes	Yes	No	No	
Fan Motor Amps	Rated Load	0.5	1.5	1.4	1.5	1.5	1.5	
Fan Diameter Inches	24	24	24	24	24	24	24	
Fan Motor	Rated HP	1/15	1/10	1/4	1/4	1/4	1/4	
	Nominal RPM	850	825	1100	850	850	850	
	Nominal CFM	2050	2250	3700	3700	3600	3450	
Coil	Face Area Sq. Ft.	15.72	18.34	20.96	23.58	23.58	24.00	
	Rows Deep	1	1	1	1	1	2	
	Fin / Inches	22	22	22	22	22	22	
Liquid Line Set OD (Field Installed)	3/8	3/8	3/8	3/8	3/8	3/8	3/8	
Vapor Line Set OD (Field Installed)	3/4	3/4	3/4	7/8	7/8	7/8	1-1/8	
Unit Charge (Lbs. - Oz.) ⁴	7 - 3	7 - 7	8 - 12	9 - 1	11 - 14	13 - 4	15 - 5	
Charge Per Foot, Oz.	0.68	0.68	0.68	0.70	0.70	0.70	0.76	
Operating Weight Lbs.	172	184	196	208	208	275	280	

1. Rated in accordance with ARI Standard 110, utilization range "A".
2. Dual element fuses or HACR circuit breaker. Maximum allowable overcurrent protection.
3. Dual element fuses or HACR circuit breaker. Minimum recommended overcurrent protection.
4. The Unit Charge is correct for the outdoor unit, matched indoor coil and 15 feet of refrigerant tubing. For tubing lengths other than 15 feet, add or subtract the amount of refrigerant, using the difference in length multiplied by the per foot value.

All dimensions are in inches. They are subject to change without notice. Certified dimensions will be provided upon request.



Unit Model	Dimensions (Inches)			Refrigerant Connection Service Valve Size	
	A ¹	B	C	Liquid	Vapor
18	28	34	34	3/8"	3/4"
24	32	34	34		
30	36	34	34		
36	40	34	34		7/8"
42	40	34	34		
48	40	34	34		
60	40	34	34	1-1/8"	

1. Including Fan Guard.
- * Adapter fitting required for 1-1/8" line set.

R-22 SYSTEM CHARGING PROCEDURE

Additional R-22 Charge / Orifice Size for Various Matched Systems							
Outdoor Unit	GHGD18 S21S1	GHGD24 S21S1	GHGD30 S21S1	GHGD36 S21S1	GHGD42 S21S1	GHGD48 S21S1	GHGD60 S21S1
Required TXV ^{1,2}	2A	2A	2A	2A	2C	2C	2C
Factory Charge, lbs-oz	7 - 3	7 - 7	8 - 12	9 - 1	11 - 14	13 - 4	15 - 5
Indoor Coil ^{3,4}	Additional Charge, Oz						
FC/MC/PC/UC18A2A	0	-	-	-	-	-	-
FC/MC/PC/UC18B2A	0	-	-	-	-	-	-
FC/MC/PC/UC24A2A	0	0	-	-	-	-	-
FC/MC/PC/UC24B2A	0	0	-	-	-	-	-
FC/MC/PC/UC30A2A	0	0	-	-	-	-	-
FC/MC/PC/UC30B2A	0	0	-	-	-	-	-
FC/MC/PC/UC32A2A	-	5	0	-	-	-	-
FC/MC/PC/UC35B2A	-	5	0	-	-	-	-
FC/MC/PC/UC35C2A	-	5	0	-	-	-	-
FC/MC/PC/UC37A2A	-	-	0	0	-	-	-
FC/MC/PC/UC43C2C	-	-	-	-	-	-	-
FC/MC/PC/UC48C2C	-	-	-	-	0	-	-
FC/MC/PC/UC48D2C	-	-	-	-	0	-	-
FC/PC/UC60C2C	-	-	-	-	2	0	-
FC/MC/PC/UC60D2C	-	-	-	-	2	0	-
FC/MC62D2C	-	-	-	-	-	2	0
HC18A2A	0	-	-	-	-	-	-
HC30A2A	-	0	-	-	-	-	-
HC36B2A	-	5	0	-	-	-	-
HC60C2C	-	-	-	-	2	0	-
HD24A2A	-	4	-	-	-	-	-
HD36B2A	-	-	0	-	-	-	-
HD60D2C	-	-	-	-	2	0	-
MH30S2A	-	6	-	-	-	-	-
AHP18B2A	0	-	-	-	-	-	-
AHP24B2A	0	0	-	-	-	-	-
AHP30B2A	-	5	0	-	-	-	-
AHP36C2A	-	-	0	0	-	-	-
AHP48D2C	-	-	-	-	2	0	-
AHP60D2C	-	-	-	-	2	0	-
FC/MC/PC/UC18A3X	2A + 0	-	-	-	-	-	-
FC/MC/PC/UC18B3X	2A + 0	-	-	-	-	-	-
FC/MC/PC/UC24A3X	2A + 0	2A + 0	-	-	-	-	-
FC/MC/PC/UC24B3X	2A + 0	2A + 0	-	-	-	-	-
FC/MC/PC/UC30A3X	-	2A + 0	-	-	-	-	-
FC/MC/PC/UC30B3X	-	2A + 0	-	-	-	-	-
FC/MC/PC/UC32A3X	-	2A + 5	2A + 0	-	-	-	-
FC/MC/PC/UC35B3X	-	2A + 5	2A + 0	-	-	-	-
FC/MC/PC/UC35C3X	-	2A + 5	2A + 0	-	-	-	-
FC/MC/PC/UC37A3X	-	-	2A + 0	2A + 0	-	-	-
FC/MC/PC/UC43B3X	-	-	2A + 0	2A + 0	-	-	-
FC/MC/PC/UC43C3X	-	-	2A + 0	2A + 0	-	-	-
FC/MC/PC/UC48C3X	-	-	-	2A + 3	2C + 0	-	-
FC/MC/PC/UC48D3X	-	-	-	2A + 3	2C + 0	-	-
FC/PC/UC60C3X	-	-	-	2A + 5	2C + 2	2C + 0	-
FC/MC/PC/UC60D3X	-	-	-	2A + 5	2C + 2	2C + 0	-
FC/PC62D3X	-	-	-	-	-	2C + 2	2C + 0

R-22 SYSTEM CHARGING PROCEDURE

Additional R-22 Charge / Orifice Size for Various Matched Systems (Continued)							
Outdoor Unit	GHGD18 S21S1	GHGD24 S21S1	GHGD30 S21S1	GHGD36 S21S1	GHGD42 S21S1	GHGD48 S21S1	GHGD60 S21S1
Required TXV ^{1,2}	2A	2A	2A	2A	2C	2C	2C
Factory Charge, lbs-oz	7 - 3	7 - 7	8 - 12	9 - 1	11 - 14	13 - 4	15 - 5
Indoor Coil ^{3,4}	Additional Charge, Oz						
HC18A3X	2A + 0	-	-	-	-	-	-
HC30A3X	-	2A + 0	-	-	-	-	-
HC36B3X	-	2A + 5	2A + 0	-	-	-	-
HC42C3X	-	-	2A + 0	2A + 0	-	-	-
HC60C3X	-	-	-	2A + 5	2C + 2	2C + 0	-
HD24A3X	-	2A + 4	-	-	-	-	-
HD36B3X	-	-	2A + 0	-	-	-	-
HD48C3X	-	-	-	2A + 3	-	-	-
HD60D3X	-	-	-	2A + 5	2C + 2	2C + 0	-
MH24S59	-	2A + 6	2A + 0	-	-	-	-
MH30S65	-	2A + 6	2A + 0	-	-	-	-
AHP18B3X	2A + 0	-	-	-	-	-	-
AHP24B3X	2A + 0	2A + 0	-	-	-	-	-
AHP30B3X	-	2A + 5	2A + 0	-	-	-	-
AHP36C3X	-	-	2A + 0	2A + 0	-	-	-
AHP42C3X	-	-	-	2A + 0	-	-	-
AHP48D3X	-	-	-	-	2C + 2	2C + 0	-
AHP60D3X	-	-	-	2A + 5	2C + 2	2C + 0	-
F4FP024	0	-	-	-	-	-	-
F4FP030	-	0	-	-	-	-	-
F4FP040	-	-	0	-	-	-	-
F5FP045	-	-	-	2A + 5	2	-	-
F5FP048	-	-	-	2A + 3	0	-	-
F5FP060	-	-	-	2A + 5	2	0	-

FOOTNOTES:

1. For applications requiring a TXV use 1TVM series kit.
2. Approved orifice shipped with outdoor unit.
3. Systems matched with furnace or air handlers not equipped with blower-off delays may require blower Time Delay Kit 2FD06700224.
4. PC coils cannot be used in downflow or horizontal applications. FC coils cannot be used in horizontal applications.

PROCEDURES:

1. Unit factory charge listed on the unit nameplate includes refrigerant for the condenser, the smallest evaporator and 15 feet of interconnecting line tubing.
2. Verify the TXV or orifice and additional charge required for specific evaporator coil in the system using the above table.
3. Additional charge for the amount of interconnecting line tubing greater than 15 feet at the rate specified in Physical and Electrical Data Table.
4. For TXV match charge weight needs to be weighed in for specific coil match and lineset length.
5. Permanently mark the unit nameplate with the total system charge. Total System Charge = Base Charge (as shipped) + adder for evaporator + adder for line set.

Subject to change without notice. Printed in U.S.A.
Copyright © 2008 by Johnson Controls, Inc. All rights reserved.



359409-UTD-C-0808
Supersedes: 359409-UTD-B-0608

Johnson Controls Unitary Products
5005 York Drive
Norman, OK 73069