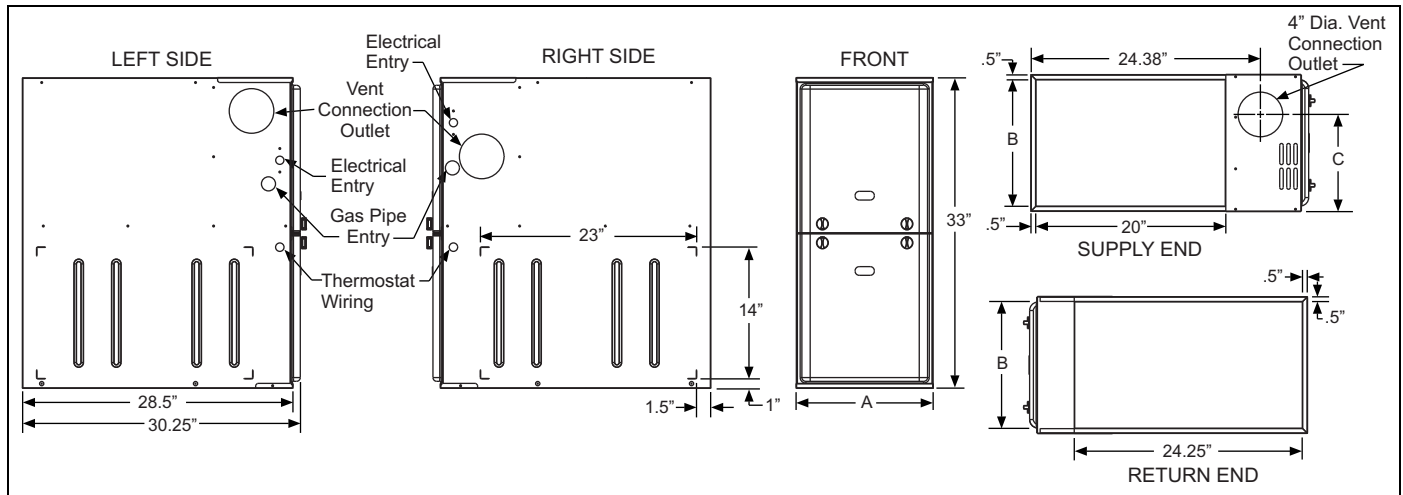


# SUBMITTAL DATA SHEET

## MULTI-POSITION SINGLE-STAGE GAS FURNACES MODELS: TG8S/TGLS

JOB NAME:		LOCATION:		
PURCHASER:		ORDER NO:		
ENGINEER:				
SUBMITTED TO:	FOR:	REF:	APPROVAL:	CONSTRUCTION:
SUBMITTED BY:		DATE:		
UNIT DESIGNATION:		SCHEDULE NO.		MODEL NO.

### DIMENSIONS - INCHES



BTUH (kW) Input	Nominal CFM	Cabinet Size	Cabinet Dimensions (Inches)			Approximate Operating Weights
			A	B	C	Lbs
TG(8,L)S040A08MP11	800	A	14 1/2	13 3/8	10.3	89
TG(8,L)S060A10MP11	1000	A	14 1/2	13 3/8	10.3	91
TG(8,L)S060A12MP11	1200	A	14 1/2	13 3/8	10.3	94
TG(8,L)S080B12MP11	1200	B	17 1/2	16 3/8	11.8	103
TG(8,L)S080C16MP11	1600	C	21	19 7/8	13.6	114
TG(8,L)S080C22MP11	2200	C	21	19 7/8	13.6	119
TG(8,L)S100B12MP11	1200	B	17 1/2	16 3/8	11.8	108
TG(8,L)S100C16MP11	1600	C	21	19 7/8	13.6	118
TG(8,L)S100C20MP11	2000	C	21	19 7/8	13.6	122
TG(8,L)S120C16MP11	1600	C	21	19 7/8	15.8	123
TG(8,L)S120C20MP11	2000	C	21	19 7/8	15.8	129
TG(8,L)S130D20MP11	2000	D	24 1/2	23 3/8	17.5	135

Due to continuous product improvements, specifications are subject to change without notice. Installation and conversions of these furnaces must be made by qualified distributor, dealer, or contractor personnel.



### PRODUCT DATA

#### Heating Performance

Input Capacity \_\_\_\_\_ MBH  
 Output Capacity \_\_\_\_\_ MBH  
 Air Temp. Rise \_\_\_\_\_ °F

#### Supply Air Blower Performance

Total Supply Air \_\_\_\_\_ CFM  
 Total External Static Pressure \_\_\_\_\_ IWG  
 Blower Speed (circle) \_\_\_\_ HI MH ML L  
 Motor Rating \_\_\_\_\_ HP

#### Electrical Data

Power Supply \_\_\_\_\_ / /  
 Total Unit Ampacity \_\_\_\_\_ AMPS  
 Minimum Wire Size \_\_\_\_\_ AWG  
 Maximum Overcurrent Device  
 Fuses  Circuit Breaker \_\_\_\_\_ AMPS

#### Unit Weight

Total Unit Weight \_\_\_\_\_ LBS

## FEATURES

- Easily applied in upflow, horizontal left or right, or downflow installation with minimal conversion necessary.
- Compact, easy to install, ideal height 33" tall cabinet.
- Blower-off delay for cooling SEER improvement.
- Easy access to controls to connect power/control wiring.
- Built-in, high level self diagnostics with fault code displays standard on integrated control module for reliable operation.
- Low unit amp requirement for easy replacement application.
- Single wire twinning or staging feature available.
- All models are convertible to use propane (LP) gas.
- Electronic Hot Surface Ignition saves fuel cost with increased dependability and reliability.
- 100% shut off main gas valve for extra safety.
- 4 speed, direct drive PSC motor.
- 24V, 40 VA control transformer and blower relay supplied for add-on cooling.
- Hi-tech tubular aluminized steel primary heat exchanger.
- Timed on, adjustable off blower capability for maximum comfort.
- Blower door safety switch.
- Solid removable bottom panel allows easy conversion.
- Low NOx models have been designed to meet specific code requirements.
- Airflow leakage less than 1% of total airflow at ductblaster conditions.
- No knockouts to deal with, making installation easier.
- Movable duct connector flanges for application flexibility.
- Quiet inducer operation.
- Inducer rotates for easy conversion of venting options.
- Fully supported blower assembly for easy access and removal of blower.
- External air filters used for maximum flexibility in meeting customers IAQ needs.
- Venting applications - may be installed as a common vent with other gas-fired appliances or use a lined masonry chimney.
- 1/4 turn knobs provided for easy door removal.

---

## FIELD INSTALLED ACCESSORIES

### **PROPANE (LP) CONVERSION KIT -**

1NP0347 - All Models except 130,000 BTU input  
1NP0501 - 130,000 BTU input only

This accessory conversion kit may be used to convert natural gas units for propane (LP) operation.

### **SIDE RETURN FILTER RACKS -**

1SR0200 - All Models  
1SR0302 - All Models  
1SF0101 - All Models

### **BOTTOM RETURN FILTER RACKS -**

1BR0514 or 1BR0614 - For 14-1/2" cabinets  
1BR0517 or 1BR0617 - For 17-1/2" cabinets  
1BR0521 or 1BR0621 - For 21" cabinets  
1BR0524 or 1BR0624 - For 24-1/2" cabinets

1BR05xx series are galvanized steel filter racks. 1BR06xx are pre-painted steel filter racks to match the appearance of the furnace cabinet.

### **COMBUSTIBLE FLOOR BASE KIT -**

For installation of these furnaces in downflow applications directly onto combustible flooring material, These kits are required to prevent potential overheating situations. These kits are also required in any applications where the furnace is installed in a downflow configuration without an evaporator coil, where the combustible floor base kit provides access for combustible airflow.

1CB0514 - For 14-1/2" cabinets  
1CB0517 - For 17-1/2" cabinets  
1CB0521 - For 21" cabinets  
1CB0524 - For 24-1/2" cabinets

### **EAC TRANSITION KITS -**

For installation of EAC accessories with these furnaces to provide easy transition of return airflow through the EAC to get the proper sealing and reduced airflow leakage.

1TK1001 - For all models using side return  
1TK1014 - For 14-1/2" cabinets using bottom return  
1TK1017 - For 17-1/2" cabinets using bottom return  
1TK1021 - For 21" cabinets using bottom return  
1TK1024 - For 24-1/2" cabinets using bottom return

### **MASONRY CHIMNEY KITS -**

For installations where these furnaces are vented using existing or new lined masonry chimneys.

1CK0603  
1CK0604

### **HIGH ALTITUDE PRESSURE SWITCHES -**

For installation where the altitude is less than 8,000 feet it is not required that the pressure switch be changed. For altitudes above 8,000 feet, see kits below.

1PS3301  
1PS3302