

SUBMITTAL DATA SHEET

VERTICAL WALL MOUNT AIR HANDLERS

SPLIT-SYSTEM FAN COIL

MODELS: EWN/EWW & HWN/HWW SERIES

JOB NAME: _____ LOCATION: _____

PURCHASER: _____ ORDER NO. _____

ENGINEER: _____

SUBMITTED TO: _____ FOR: _____ REF: _____ APPROVAL: _____ CONSTRUCTION: _____

SUBMITTED BY: _____ DATE: _____

UNIT DESIGNATION: _____ SCHEDULE NO: _____ MODEL NO: _____

PRODUCT DATA

Cooling Performance

Total Capacity* _____ MBH

Sensible Capacity* _____ MBH

Temperature of Air Entering _____

Indoor Coil _____ °F (DB/WB)

Supply Air Blower Performance

Total Supply Air _____ CFM

Total External Static Pressure _____ IWG

Blower Speed Settings _____

Power Input Requirement _____ KW

Electrical Data

Power Supply _____ / _____ / _____

Total Unit Ampacity _____ AMPS

Minimum Wire Size _____ AWG
(Copper conductors)

Maximum Overcurrent Device

_____ Fuses (Dual Element)

_____ Circuit Breakers (HACR)

Unit Weight

Total Unit Weight _____ LBS

Options

_____ Factory Installed TXV

*Shown in Product Technical Guide.

CLEARANCES

	Operation	Service
Top	0"	0"
Front	0"	30"
Rear	0"	0"
Sides	0"	0"

FEATURES

- Cooling or Heat Pump Applications
- Designed for front or bottom return air position
- Closet installation or wall with decorative grill
- Durable pre-painted galvanized steel cabinet
- Cabinets fully insulated with 1/2" foil faced insulation
- High efficiency rifled copper tube & enhanced aluminum fins
- Coils tested at 500 psi, nitrogen pressurized and factory sealed
- Quiet, efficient, direct drive multi-speed blowers
- Swing mounted blowers for easy service
- Heat kits easily installed using Molex plugs
- Hydronic units provided with auxiliary relay for remote pump
- Rugged, UV safe drain pan

FIELD INSTALLED ACCESSORIES

_____ Electric Heaters (#S1-EK _____)

Capacity (@ _____ Volts) _____ MBH

Power Input Required (Less Blower Motor) _____ KW

_____ Hydronic Heaters (#S1-HK _____)

_____ Thermal Expansion / Check Valve Kit (# _____)

MATCHED OUTDOOR UNIT

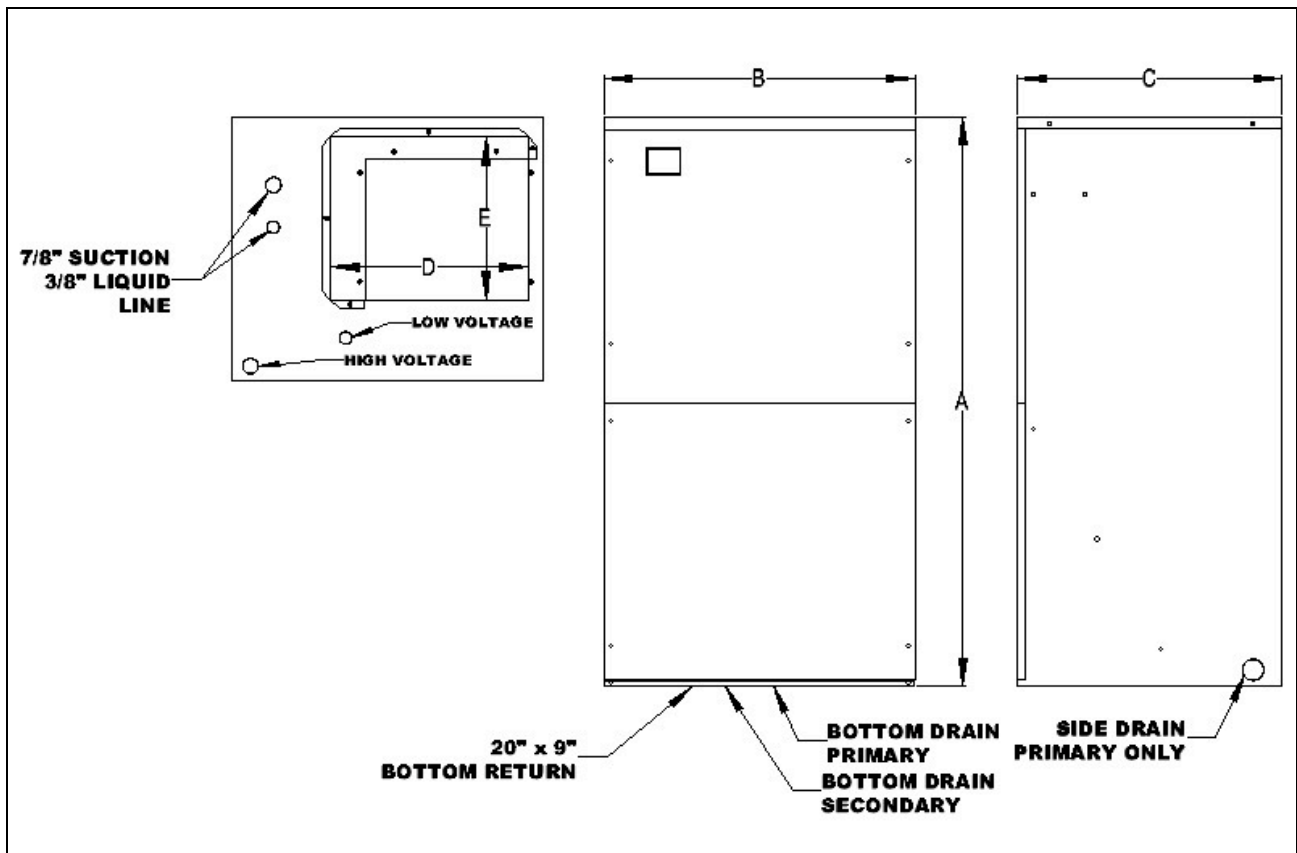
Model Number (# _____)

Submittal Part Number (# _____)



PHYSICAL DIMENSIONS EW SERIES

Models	Dimensions (inches)					Wiring Knockouts		Refrigerant Connections Line Size	
	A	B	C	D	E	High Volt	Low Volt	Liquid	Suction
	Height	Width	Depth						
EW(N,W)18	37-1/2	22	18-3/4	14	10	1-3/32	7/8	3/8	7/8
EW(N,W)24	37-1/2	22	18-3/4	14	10				
EW(N,W)30	40-1/2	22	18-3/4	14	11-1/2				
EW(N,W)36	40-1/2	22	18-3/4	14	11-1/2				



PHYSICAL DIMENSIONS HW SERIES

Models	Dimensions (inches)					Wiring Knockouts		Refrigerant Connections Line Size	
	A	B	C	D	E	High Volt	Low Volt	Liquid	Suction
	Height	Width	Depth						
HW(N,W)18	44-1/2	22	18-3/4	17-5/8	10-1/2	1-3/32	7/8	3/8	7/8
HW(N,W)24	44-1/2	22	18-3/4	17-5/8	10-1/2				
HW(N,W)30	44-1/2	22	18-3/4	17-5/8	10-1/2				
HW(N,W)36	44-1/2	22	18-3/4	17-5/8	10-1/2				

