

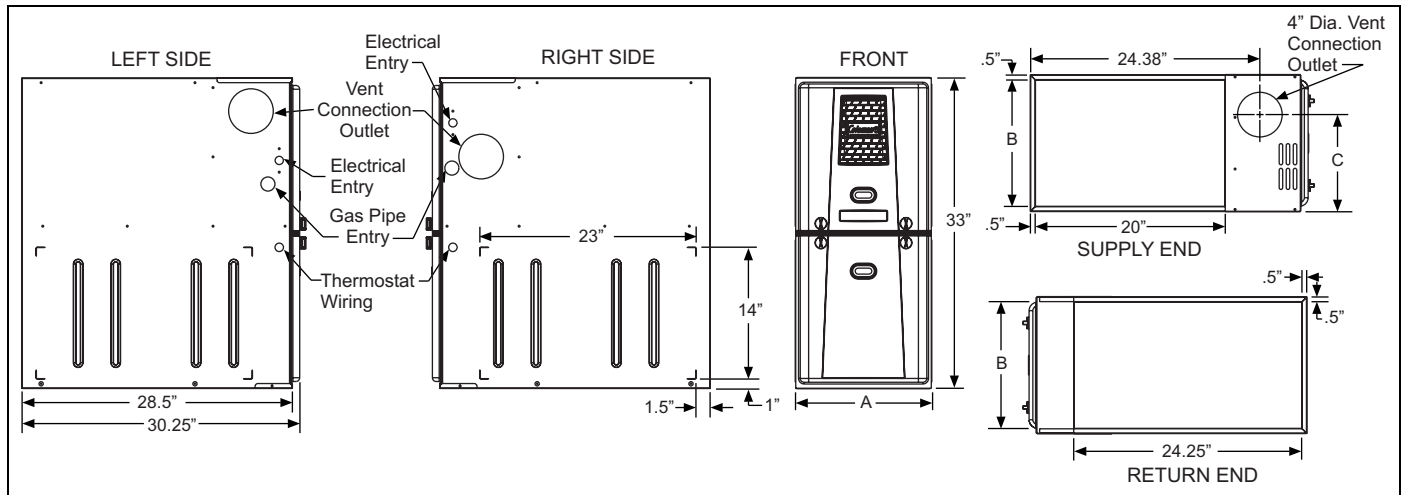
SUBMITTAL DATA SHEET



80% MODULATING GAS-FIRED RESIDENTIAL MULTI-POSITION GAS FURNACES (ECM MOTOR) MODELS: CP8C / CPLC

JOB NAME:		LOCATION:		
PURCHASER:		ORDER NO:		
ENGINEER:				
SUBMITTED TO:	FOR:	REF:	APPROVAL:	CONSTRUCTION:
SUBMITTED BY:		DATE:		
UNIT DESIGNATION:		SCHEDULE NO.		MODEL NO.

DIMENSIONS - INCHES



BTUH (kW) Input	Nominal CFM	Cabinet Size	Cabinet Dimensions (Inches)			Approximate Operating Weights
			A	B	C	Lbs
CP(8,L)C060A12MP11	1200	A	14 1/2	13 1/4	10.3	94
CP(8,L)C080B12MP11	1200	B	17 1/2	16 1/4	11.8	103
CP(8,L)C080C16MP11	1600	C	21	19 3/4	13.6	114
CP(8,L)C100C16MP11	1600	C	21	19 3/4	13.6	118
CP(8,L)C100C20MP11	2000	C	21	19 3/4	13.6	122
CP(8,L)C120C20MP11	2000	C	21	19 3/4	15.8	129

Due to continuous product improvements, specifications are subject to change without notice. Installation and conversions of these furnaces must be made by qualified distributor, dealer, or contractor personnel.

PRODUCT DATA

Heating Performance

Input Capacity _____ MBH
Output Capacity _____ MBH
Air Temp. Rise _____ °F

Supply Air Blower Performance

Total Supply Air _____ CFM
Total External Static Pressure _____ IWG
Blower Speed (circle) ____ H MH ML L
Motor Rating _____ HP

Electrical Data

Power Supply _____ / / _____
Total Unit Ampacity _____ AMPS
Minimum Wire Size _____ AWG
Maximum Overcurrent Device
 Fuses Circuit
Breaker _____ AMPS

Unit Weight

Total Unit Weight _____ LBS



ISO 9001
Certified Quality
Management System

FEATURES

- Modulating heating operation includes:
 - Modulating gas valve, inducer and circulating blower
 - Modulating operation from 100% input to 50% input in 1% increments
- Easily applied in upflow, horizontal left or right, or downflow installation with minimal conversion necessary.
- Compact, easy to install, ideal height 33" tall cabinet.
- ECM variable speed motor for cooling SEER enhancement, blower delay options for comfort, and continuous fan options for IAQ performance.
- Easy access to controls to connect power/control wiring.
- Built-in, high level self diagnostics with fault code display.
- Low unit amp requirement for easy replacement application.
- All models are convertible to use propane (LP) gas.
- Electronic Hot Surface Ignition saves fuel cost with increased dependability and reliability.
- 100% shut off main gas valve for extra safety.
- 24V, 40 VA control transformer and blower relay supplied for add-on cooling.
- Hi-tech tubular aluminized steel primary heat exchanger.
- Blower door safety switch.
- Solid removable bottom panel allows easy conversion.
- Low NOx models have been designed to meet specific code requirements.
- Airflow leakage less than 1% of nominal airflow for ductblaster conditions.
- No knockouts to deal with, making installation easier.
- Movable duct connector flanges for application flexibility.
- Quiet inducer, burner and blower operation.
- Inducer rotates for easy conversion of venting options.
- Fully supported blower assembly for easy access and removal of blower.
- External air filters used for maximum flexibility in meeting customers IAQ needs.
- Venting applications - may be installed as a common vent with other gas-fired appliances.
- Insulated blower compartment for thermal and acoustic performance.
- 1/4 turn knobs provided for easy door removal.

FIELD INSTALLED ACCESSORIES

PROPANE (LP) CONVERSION KIT -

1NP0680 - All Models

This accessory conversion kit may be used to convert natural gas (N) units for propane (LP) operation.

SIDE RETURN FILTER RACKS -

1SR0200 - All Models

1SR0302 - All Models

1SF0101 - All Models

BOTTOM RETURN FILTER RACKS -

1BR0514 or 1BR0614 - For 14-1/2" cabinets

1BR0517 or 1BR0617 - For 17-1/2" cabinets

1BR0521 or 1BR0621 - For 21" cabinets

1BR05xx series are galvanized steel filter racks. 1BR06xx are pre-painted steel filter racks to match the appearance of the furnace cabinet.

COMBUSTIBLE FLOOR BASE KIT -

For installation of these furnaces in downflow applications directly onto combustible flooring material, These kits are required to prevent potential overheating situations. These kits are also required in any applications where the furnace is installed in a downflow configuration without an evaporator coil, where the combustible floor base kit provides access for combustible airflow.

1CB0514 - For 14-1/2" cabinets

1CB0517 - For 17-1/2" cabinets

1CB0521 - For 21" cabinets

EAC TRANSITION KITS -

For installation of EAC accessories with these furnaces to provide easy transition of return airflow through the EAC to get the proper sealing and reduced airflow leakage.

1TK1001 - For all models using side return

1TK1014 - For 14-1/2" cabinets using bottom return

1TK1017 - For 17-1/2" cabinets using bottom return

1TK1021 - For 21" cabinets using bottom return

1TK1024 - For 24-1/2" cabinets using bottom return

HIGH ALTITUDE - No high altitude kits are required.