

QUICK REFERENCE GUIDE

80% MODULATING PSC MULTI-POSITION RESIDENTIAL GAS FURNACES (33" TALL)

NOTES:

- If the furnace is equipped with NOx screens and is to be used with LP (propane) gas, the screens must be removed prior to start-up.
- Drip leg in the gas line must be installed.
- The furnace controls require correct polarity on the power supply and a proper ground.
- Y & G must be connected to the control board for cooling operation.
- External filters required on all configurations.
- Electrical or gas entry is available on both casing sides.
- To measure total static pressure add supply duct pressure to the return duct pressure, add pressure drop across the 'A' coil, and add pressure drop across the filter. Ignore negative signs on the readings.
- Inlet gas pressure for natural gas should be 7" and for propane should be 11" w.c. Nominal manifold gas pressure is 3.5" for natural gas and 10" w.c. for propane at max. input.
- For downflow application the vent blower must be rotated 90 left or right as shown.
- For downflow applications, the gas valve must be rotated upwards as shown below.

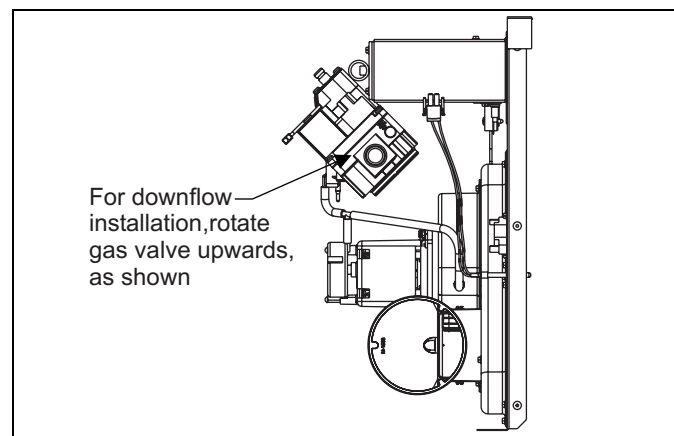
Models	Airflow CFM (Bottom Return without Filters)				Minimum Wire Size awg @ 75' One-Way	Maximum Over Current Protection
	0.5" ESP (Nominal)*					
	Low	Med-Lo	Med-Hi	High		
(T,Y,C,L)M(8,L)M060A12MP11	711	872	1042	1275	14	15
(T,Y,C,L)M(8,L)M080B12MP11	566	758	926	1243	14	15
(T,Y,C,L)M(8,L)M080C16MP11	1069	1205	1408	1602	14	15
(T,Y,C,L)M(8,L)M100C16MP11	1012	1367	1586	1820	14	15
(T,Y,C,L)M(8,L)M100C20MP11	1175	1482	1871	2432	12	20
(T,Y,C,L)M(8,L)M120C20MP11	1286	1580	1955	2338	12	20

Models	Input Rate		Total Unit Amps	Air Temp. Rise Max Input °F	Air Temp. Rise Min Input °F	Time For 1 ft ³ Natural Gas (1030 Btu/Ft ³) Seconds (On Max. Rate)
	Max	Min				
(T,Y,C,L)M(8,L)M060A12MP11	60,000	30,000	7.0	35-65	20-50	62
(T,Y,C,L)M(8,L)M080B12MP11	80,000	40,000	7.5	40-70	20-50	46
(T,Y,C,L)M(8,L)M080C16MP11	80,000	40,000	10.0	40-70	20-50	46
(T,Y,C,L)M(8,L)M100C16MP11	100,000	50,000	10.0	40-70	20-50	37
(T,Y,C,L)M(8,L)M100C20MP11	100,000	50,000	17.0	35-65	20-50	37
(T,Y,C,L)M(8,L)M120C20MP11	120,000	60,000	17.0	45-75	25-55	30

* Other airflows are available. see Tech guide for all CFM options.

LED INDICATOR

- Slow Green Flash - Normal operation in standby mode
- Slow Amber Flash - Normal operation with call for cooling
- Two Amber Flashes - Normal operation with call for heat
- Three Amber Flashes - Normal operation, burner is on at end of thermostat cycle.
- Six Amber Flashes - Normal operation with call for heat pump heating.
- Any Red Flash - Fault condition



This document does not replace the installation instructions, which must be referred to for detailed information.

SUPPLY END

RETURN END

IMPORTANT

DURING INSTALLATION, DOORS MUST REMAIN ON FURNACE WHEN MOVING OR LIFING.

Clips can be flipped into the up position for coil cabinet or plenum attachment

LEFT SIDE

RIGHT SIDE

Follow all national, local codes and standards in addition to this document. The installation must comply with regulations of the serving gas supplier, local building, heating, plumbing, and other codes. In absence of local codes, the installation must comply with the national codes and all authorities having jurisdiction.

CLEARANCES

Application	Upflow	Downflow	Horizontal
Top	1"	0"	0"
B-Vent	1"	1"	1"
Rear	0"	0"	0"
Side	0"	0"	1"
Front*	0"	0"	0"
Floor	Combustible	Combustible ¹	Combustible
Closet	Yes	Yes	Yes
Line Contact	No	No	Yes

- For combustible floors only when used with special sub-base.
 - * 24" clearance in front and 18" on side recommended for service access.
- All furnaces approved for alcove and attic installation.

DIMENSIONS

Cabinet Size	A (in)	B (in)
All 'A' Cabinet Furnaces	14-1/2"	13-3/8"
All 'B' Cabinet Furnaces	17-1/2"	16-3/8"
All 'C' Cabinet Furnaces	21"	19-7/8"

Subject to change without notice. Printed in U.S.A.
Copyright © 2008 by Johnson Controls, Inc. All rights reserved.



407735-URG-B-0808
Supersedes: 407735-URG-A-0508

Johnson Controls Unitary Products
5005 York Drive
Norman, OK 73069

MOST COMMON INSTALLATION CONFIGURATIONS (MORE OPTIONS AVAILABLE WITH INDUCER ROTATION, WHICH IS COVERED IN THE INSTALLATION MANUAL)

Furnace is multi-position and may be installed in any of the configurations shown.

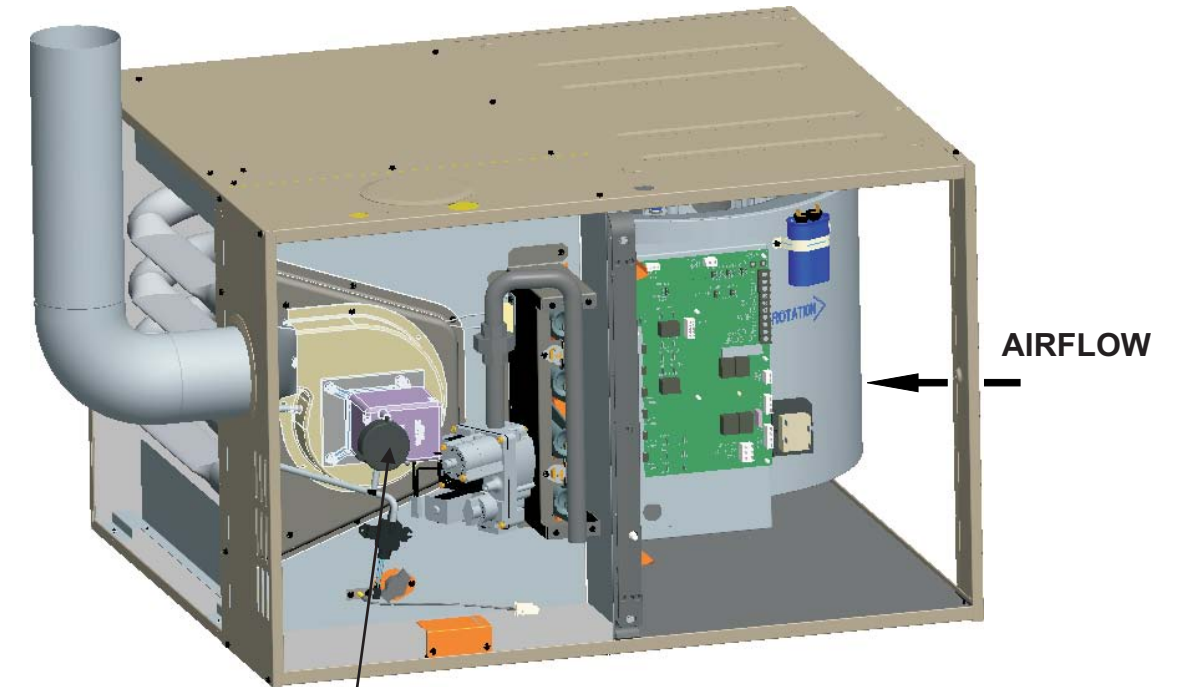
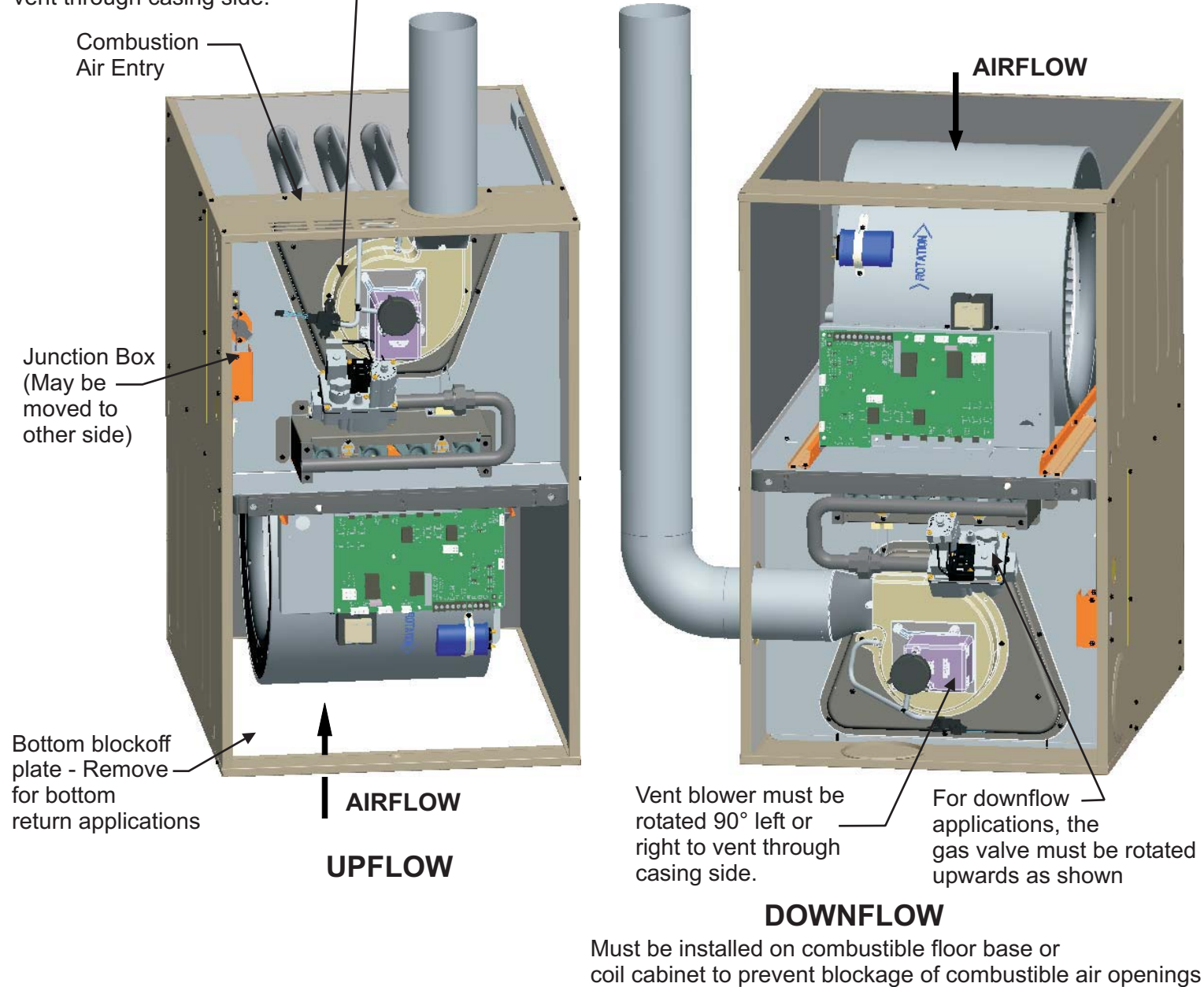
Inducer blower may be rotated 90° either way to vent through casing side, as shown below.

These are Category I units and the vent system must be installed in accordance with latest edition of the National Fuel Gas Code, Z223.1/NFPA 54, or in Canada, CSA B149.1.

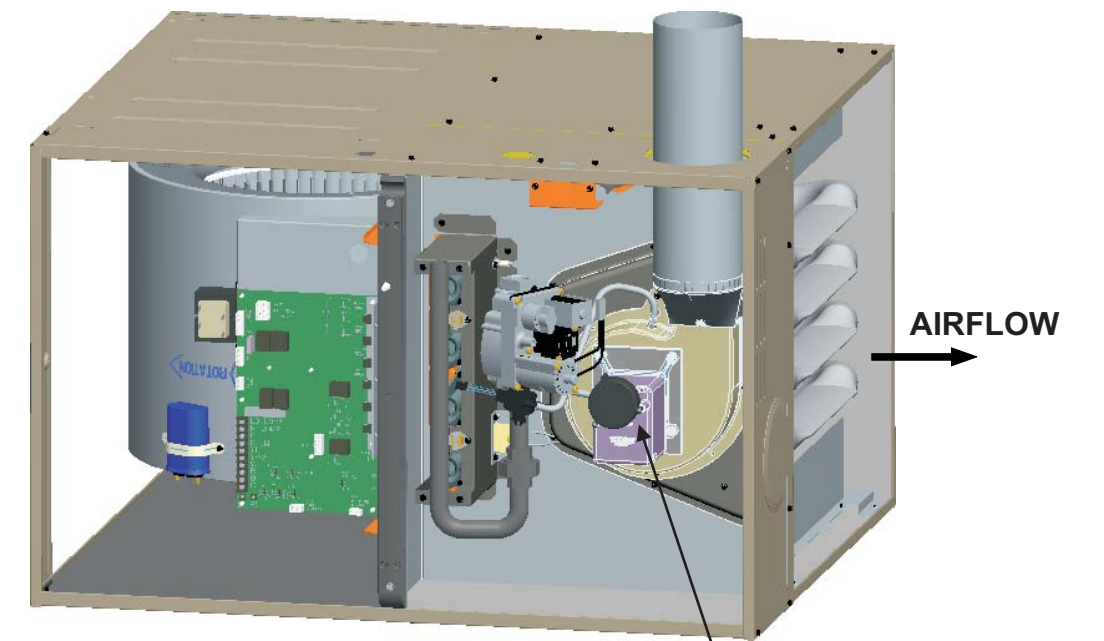
These furnaces should be vented **only** with type B vent pipe. No single - wall vent pipe or vent connectors are allowed. This furnace **should not** be vented into a masonry chimney.

These are modulating furnaces which vary the gas input between 50% and 100% of full rate. To make it easier to check that the furnace is not overfired or underfired, put the furnace in TEST MODE and clock the gas meter. See Installation Booklet for details of TEST MODE.

Optional - Vent blower may also be rotated 90° left or right to vent through casing side.



HORIZONTAL LEFT



HORIZONTAL RIGHT