

SUBMITTAL DATA SHEET



ROOF CURB

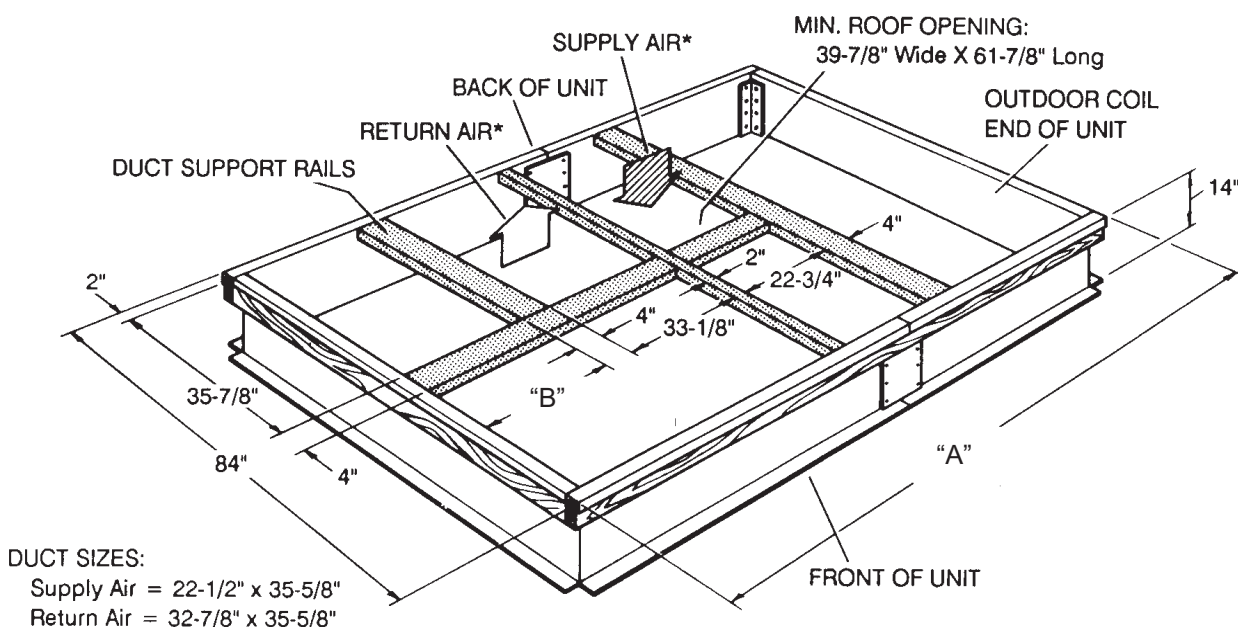
MODEL: 1RC0436

FOR UNITS: BA-15, DU-15, DL-15, ZS-15

JOB NAME:		LOCATION:		
PURCHASER:		ORDER NO:		
ENGINEER:				
SUBMITTED TO:	FOR:	REF:	APPROVAL:	CONSTRUCTION:
SUBMITTED BY:			DATE:	
UNIT DESIGNATION:		SCHEDULE NO.	MODEL NO.	

* Supply and Return Air (including duct support rails) as shown, are typical for bottom duct applications.

For location of horizontal duct applications (on back of unit), refer to Unit Dimension details.



ROOF CURB MODEL NUMBER	DIMENSION "A"	DIMENSION "B"
1RC0436	115-1/4"	14-1/4"

NOTE:

1. Roof curb is built to NRCA standards.
2. Roof curb is constructed of 18 gauge G90 steel.
3. Unit duct supports are provided.
4. Full perimeter 4 wood nailer.
5. Curbs are shipped unassembled.
6. Corner hinge pins are used for assembly.

SUGGESTED ROOF OPENING

MODEL	LENGTH	WIDTH
1RC0436	76"	80"

Refer to price pages for other details.

Subject to change without notice. Printed in U.S.A.
 Copyright © 2008 by Johnson Controls, Inc. All rights reserved.

433501-CSD-A-0908
 Supersedes: 036-22217-001-A-0502

Johnson Controls Unitary Products
 5005 York Drive
 Norman, OK 73069