

# TABULAR DATA SHEET

## Outdoor Split System Heat Pump 1.5 Thru 5 Tons

MODELS: GHRD18\* THRU 60

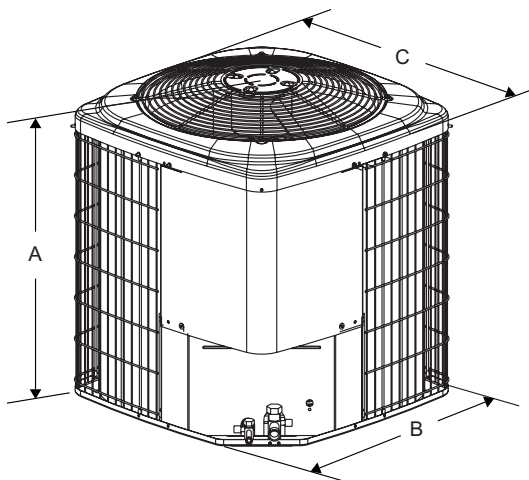
13 SEER – R-410A, 1 PHASE

### Physical and Electrical Data

MODEL		GHRD18 S41S1	GHRD24 S41S1	GHRD30 S41S1	GHRD36 S41S1	GHRD42 S41S1	GHRD48 S41S1	GHRD60 S41S1
Unit Supply Voltage		208-230V, 1 $\phi$ , 60Hz						
Normal Voltage Range <sup>1</sup>		187 to 252						
Minimum Circuit Ampacity		11.2	12.4	14.9	19.9	21.1	23.0	37.4
Max. Overcurrent Device Amps <sup>2</sup>		15	20	25	30	35	40	60
Min. Overcurrent Device Amps <sup>3</sup>		15	15	15	20	25	25	40
Compressor Type		Recip	Recip	Recip	Recip	Recip	Recip	Scroll
Compressor Amps	Rated Load	8.3	9.3	11.3	14.7	15.7	17.2	28.8
	Locked Rotor	43.0	43.0	54.0	74.0	88.0	84.0	150.0
Crankcase Heater		Yes	Yes	Yes	Yes	Yes	Yes	No
Fan Motor Amps	Rated Load	0.8	0.8	0.8	1.5	1.5	1.5	1.5
Fan Diameter Inches		18	18	22	24	24	24	24
Fan Motor	Rated HP	1/8	1/8	1/8	1/4	1/4	1/4	1/4
	Nominal RPM	1075	1075	1075	850	850	850	850
	Nominal CFM	2000	2000	2500	3500	3500	3900	2358
Coil	Face Area Sq. Ft.	9.3	9.3	12.8	15.7	15.7	23.6	23.6
	Rows Deep	1	1	1	1	1	1	2
	Fin / Inches	18	18	18	22	22	22	18
Liquid Line Set OD (Field Installed)		3/8	3/8	3/8	3/8	3/8	3/8	3/8
Vapor Line Set OD (Field Installed)		3/4	3/4	3/4	3/4	7/8	7/8	7/8
Unit Charge (Lbs. - Oz.) <sup>4</sup>		5 - 6	5 - 8	7 - 8	7 - 8	8 - 8	9 - 1	13 - 6
Charge Per Foot, Oz.		0.62	0.62	0.62	0.62	0.67	0.67	0.67
Operating Weight Lbs.		145	145	176	193	198	248	290

1. Rated in accordance with ARI Standard 110, utilization range "A".
2. Dual element fuses or HACR circuit breaker. Maximum allowable overcurrent protection.
3. Dual element fuses or HACR circuit breaker. Minimum recommended overcurrent protection.
4. The Unit Charge is correct for the outdoor unit, matched indoor coil and 15 feet of refrigerant tubing. For tubing lengths other than 15 feet, add or subtract the amount of refrigerant, using the difference in length multiplied by the per foot value.

All dimensions are in inches. They are subject to change without notice. Certified dimensions will be provided upon request.



Unit Model	Dimensions (Inches)			Refrigerant Connection Service Valve Size	
	A <sup>1</sup>	B	C	Liquid	Vapor
18	28	23-1/2	23-1/2	3/8"	3/4"
24	28	23-1/2	23-1/2		
30	28	29	29		
36	28	34	34		
42	28	34	34		
48	40	34	34	7/8"	
60	40	34	34		

1. Including Fan Guard.

### System Charge for Various Matched Systems

Outdoor Unit	GHRD18S41S1	GHRD24S41S1	GHRD30S41S1	GHRD36S41S1	GHRD42S41S1	GHRD48S41S1	GHRD60S41S2
Required Orifice or TXV <sup>1,2</sup>	.049/4F1	.055/4G1	.060/4G1	.067/4H1	.075/4J1	.078,.081/4K1	4K1
Factory Charge, lbs-oz	5 - 6	5 - 8	7 - 8	7 - 8	8 - 8	9 - 1	13 - 1
Indoor Coil <sup>3,4</sup>	Additional Charge, Oz						
AHX18	.049 + 0	—	—	—	—	—	—
AHX24	.049 + 13	.055 + 13	—	—	—	—	—
AHX30	—	.055 + 18	—	—	—	—	—
AHX36	—	—	.060 + 4	.067 + 6	—	—	—
AHX42	—	—	—	—	.075 + 0	—	—
AHX48	—	—	—	—	.075 + 2	.081 + 0	—
AHX60	—	—	—	—	—	.078 + 8	TXV + 0
AV*24	.049 + 2	.055 + 0	—	—	—	—	—
AV*36	—	—	.060 + 4	.067 + 6	—	—	—
AV*48	—	—	—	—	.075 + 2	.081 + 0	—
AV*60	—	—	—	—	.075 + 2	.081 + 0	—
F6FP018	.049 + 0	—	—	—	—	—	—
F6FP024	.049 + 2	.055 + 0	—	—	—	—	—
F6FP030	—	—	.060 + 0	—	—	—	—
F6FP036	—	—	.060 + 0	.067 + 0	—	—	—
F6FP042	—	—	—	—	.075 + 0	—	—
F6FP048	—	—	—	—	.075 + 2	.081 + 0	—
F6FP060	—	—	—	—	—	.078 + 8	TXV + 0
FC/MC/PC/UC18	.049 + 0	—	—	—	—	—	—
FC/MC/PC/UC24	.049 + 5	.055 + 3	—	—	—	—	—
FC/MC/PC/UC30	.049 + 5	.055 + 3	—	—	—	—	—
FC/MC/PC/UC32	—	—	.060 + 0	—	—	—	—
FC/MC/PC/UC35	—	—	.060 + 0	—	—	—	—
FC/MC/PC/UC37	—	—	.060 + 4	—	—	—	—
FC/MC/PC/UC43	—	—	.060 + 4	.067 + 6	—	—	—
FC/MC/PC/UC48	—	—	—	—	.075 + 0	—	—
FC/MC/PC/UC60	—	—	—	—	.075 + 2	.081 + 0	—
FC/MC62	—	—	—	—	—	.078 + 8	TXV + 0
HC30A3X	.049 + 11	.055 + 9	—	—	—	—	—
HC42C3X	—	—	.060 + 4	.067 + 6	—	—	—
HC60D3X	—	—	—	—	.075 + 2	—	—

**FOOTNOTES:**

1. For applications requiring a TXV use 1TVM series kit.
2. Approved orifice shipped with outdoor unit.
3. Systems matched with furnace or air handlers not equipped with blower-off delays may require blower Time Delay Kit 2FD06700224.
4. PC coils cannot be used in downflow or horizontal applications. FC coils cannot be used in horizontal applications.

**PROCEDURES:**

1. Unit factory charge listed on the unit nameplate includes refrigerant for the condenser, the smallest evaporator and 15 feet of interconnecting line tubing.
2. Verify the TXV and additional charge required for specific evaporator coil in the system using the above table.
3. Additional charge for the amount of interconnecting line tubing greater than 15 feet at the rate specified in Physical and Electrical Data Table.
4. For Orifice or TXV matches requiring additional charge, the refrigerant needs to be weighed in for specific coil match and lineset length.
5. Permanently mark the unit nameplate with the total system charge. Total System Charge = Base Charge (as shipped) + adder for evaporator + adder for line set.

