

TABULAR DATA SHEET



Outdoor Split System Heat Pump 1.5 Thru 5 Tons

MODELS: CHJD18* THRU 60

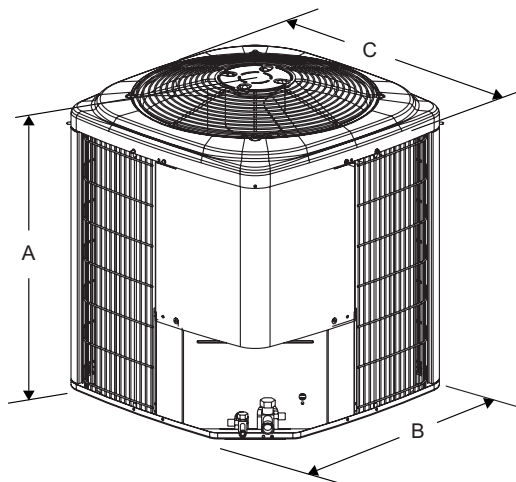
13 SEER – R-410A, 1 PHASE

Physical and Electrical Data

MODEL	CHJD18 S41S2	CHJD24 S41S2	CHJD30 S41S2	CHJD36 S41S2	CHJD42 S41S1	CHJD48 S41S1	CHJD60 S41S2
Unit Supply Voltage	208-230V, 1 ϕ , 60Hz						
Normal Voltage Range ¹	187 to 252						
Minimum Circuit Ampacity	11.9	11.2	14.1	19.7	28.6	30.9	37.4
Max. Overcurrent Device Amps ²	20	15	20	30	50	50	60
Min. Overcurrent Device Amps ³	15	15	15	20	30	35	40
Compressor Type	Scroll	Recip	Recip	Recip	Scroll	Scroll	Scroll
Compressor Amps	Rated Load	9.0	8.3	10.6	14.7	21.8	28.8
	Locked Rotor	48.0	43.0	54.0	74.0	105.0	150.0
Crankcase Heater	No	Yes	Yes	Yes	No	No	No
Fan Motor Amps	Rated Load	0.70	0.80	0.80	1.5	1.5	1.5
Fan Diameter Inches	24	24	24	24	24	24	24
Fan Motor	Rated HP	1/10	1/8	1/8	1/4	1/4	1/4
	Nominal RPM	825	1075	1075	850	850	850
	Nominal CFM	2000	2900	3100	3900	3900	3800
Coil	Face Area Sq. Ft.	15.7	18.3	21.0	23.6	23.6	23.6
	Rows Deep	1	1	1	1	1	2
	Fin / Inches	22	22	22	22	22	18
Liquid Line Set OD (Field Installed)	3/8	3/8	3/8	3/8	3/8	3/8	3/8
Vapor Line Set OD (Field Installed)	3/4	3/4	3/4	3/4	7/8	7/8	7/8
Unit Charge (Lbs. - Oz.) ⁴	6 - 6	8 - 13	9 - 0	9 - 7	9 - 12	13 - 9	13 - 6
Charge Per Foot, Oz.	.62	.62	.62	.62	.67	.67	0.67
Operating Weight Lbs.	172	184	196	208	208	275	290

1. Rated in accordance with ARI Standard 110, utilization range "A".
2. Dual element fuses or HACR circuit breaker. Maximum allowable overcurrent protection.
3. Dual element fuses or HACR circuit breaker. Minimum recommended overcurrent protection.
4. The Unit Charge is correct for the outdoor unit, matched indoor coil and 15 feet of refrigerant tubing. For tubing lengths other than 15 feet, add or subtract the amount of refrigerant, using the difference in length multiplied by the per foot value.

All dimensions are in inches. They are subject to change without notice. Certified dimensions will be provided upon request.



Unit Model	Dimensions (Inches)			Refrigerant Connection Service Valve Size	
	A ¹	B	C	Liquid	Vapor
18	28	34	34	3/8"	3/4"
24	32	34	34		
30	36	34	34		
36	40	34	34		
42	40	34	34	7/8"	
48	40	34	34		
60	40	34	34		

1. Including Fan Guard.

System Charge for Various Matched Systems

Outdoor Unit	CHJD18S41S2	CHJD24S41S2	CHJD30S41S2	CHJD36S41S2	CHJD42S41S1	CHJD48S41S1	CHJD60S41S2
Required Orifice or TXV ¹	.051/4F1	.059/4G1	.063/4G1	.071/4H1	4H1	4J1	4K1
Factory Charge, lbs-oz	6 - 6	8 - 13	9 - 0	9 - 7	9 - 12	13 - 9	13 - 6
Indoor Coil ^{2,3}	Additional Charge, Oz						
FC/MC/PC/UC18	.051 / TXV + 0	-	-	-	-	-	-
FC/MC/PC/UC24	.051 / TXV + 5	-	-	-	-	-	-
FC/MC/PC/UC30	.051 / TXV + 5	-	-	-	-	-	-
FC/MC/PC/UC32	-	.059 / TXV + 0	.063 / TXV + 0	-	-	-	-
FC/MC/PC/UC35	-	.059 / TXV + 0	.063 / TXV + 0	-	-	-	-
FC/MC/PC/UC37	-	.059 / TXV + 12	.063 / TXV + 7	.071 / TXV + 0	-	-	-
FC/MC/PC/UC43	-	.059 / TXV + 12	.063 / TXV + 7	.071 / TXV + 0	-	-	-
FC/MC/PC/UC48	-	-	-	.071 / TXV + 12	TXV + 0	-	-
FC/MC/PC/UC60	-	-	-	-	TXV + 0	TXV + 0	-
FC/PC62	-	-	-	-	-	TXV + 12	TXV + 0
HD24	.051 / TXV + 14	-	-	-	-	-	-
HD36	-	.059 / TXV + 18	.063 / TXV + 4	-	-	-	-
HD48	-	-	-	.071 / TXV + 20	-	-	-
HD60	-	-	-	-	TXV + 4	TXV + 0	-
AHP18	.051 / TXV + 0	-	-	-	-	-	-
AHP24	-	-	-	-	-	-	-
AHP30	-	.059 / TXV + 0	.063 / TXV + 0	-	-	-	-
AHP36	-	-	.063 / TXV + 7	.071 / TXV + 0	-	-	-
AHP42	-	-	-	-	-	-	-
AHP48	-	-	-	-	TXV + 4	TXV + 0	-
AHP60	-	-	-	-	-	TXV + 0	-
AHX18	.051 / TXV + 0	-	-	-	-	-	-
AHX24	-	-	-	-	-	-	-
AHX30	-	.059 / TXV + 0	.063 / TXV + 0	-	-	-	-
AHX36	-	.059 / TXV + 12	.063 / TXV + 7	.071 / TXV + 0	-	-	-
AHX42	-	-	-	-	TXV + 0	-	-
AHX48	-	-	-	-	TXV + 4	TXV + 0	-
AHX60	-	-	-	-	-	-	TXV + 0
AV24	.051 / TXV + 2	-	-	-	-	-	-
AV36	-	.059 / TXV + 12	.063 / TXV + 7	.071 / TXV + 0	-	-	-
AV48	-	-	-	-	TXV + 4	TXV + 0	-
AV60	-	-	-	-	-	TXV + 0	-
F4FP024	.051 / TXV + 0	-	-	-	-	-	-
F4FP040	-	.059 / TXV + 0	.063 / TXV + 0	-	-	-	-
F4FP045	-	-	-	.071 / TXV + 14	TXV + 4	-	-
F5FP048	-	-	-	.071 / TXV + 12	TXV + 0	TXV + 0	-
F4FV060	-	-	-	-	-	TXV + 0	-
F5FP060	-	-	-	-	-	TXV + 0	-
F6FP018	.051 / TXV + 0	-	-	-	-	-	-
F6FP024	.051 / TXV + 2	-	-	-	-	-	-
F6FP030	-	.059 / TXV + 0	.063 / TXV + 0	-	-	-	-
F6FP036	-	.059 / TXV + 0	.063 / TXV + 0	-	-	-	-
F6FP042	-	-	-	.071 / TXV + 12	TXV + 0	-	-
F6FP048	-	-	-	-	TXV + 2	TXV + 2	-
F6FP060	-	-	-	-	-	-	TXV + 0

FOOTNOTES:

1. For applications requiring a TXV use 1TVM series kit.
2. Systems matched with furnace or air handlers not equipped with blower-off delays may require blower Time Delay Kit 2FD06700224.
3. PC coils cannot be used in downflow or horizontal applications. FC coils cannot be used in horizontal applications.

PROCEDURES:

1. Unit factory charge listed on the unit nameplate includes refrigerant for the condenser, the smallest evaporator and 15 feet of interconnecting line tubing.
2. Verify the TXV and additional charge required for specific evaporator coil in the system using the above table.
3. Additional charge for the amount of interconnecting line tubing greater than 15 feet at the rate specified in Physical and Electrical Data Table.
4. For TXV matches requiring additional charge, the refrigerant needs to be weighed in for specific coil match and lineset length.
5. Permanently mark the unit nameplate with the total system charge. Total System Charge = Base Charge (as shipped) + adder for evaporator + adder for line set.

Subject to change without notice. Published in U.S.A.
 Copyright © 2009 by Johnson Controls, Inc. All rights reserved.



511441-CTD-B-0709
 Supersedes: 511441-CTD-A-0609

Johnson Controls Unitary Products
 5005 York Drive
 Norman, OK 73069