

TABULAR DATA SHEET



Outdoor Split System Heat Pump 1.5 Thru 5 Tons

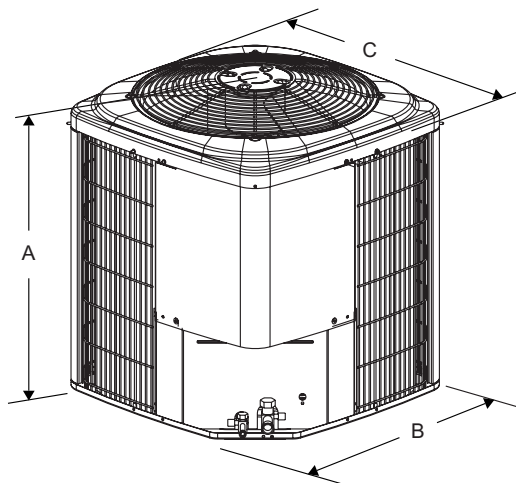
MODELS: CHJF18* THRU 60
14.5 SEER – R-410A, 1 PHASE

Physical and Electrical Data

| MODEL | CHJF18 S41S1 | CHJF24 S41S1 | CHJF30 S41S1 | CHJF36 S41S2 | CHJF42 S41S2 | CHJF48 S41S1 | CHJF60 S41S2 | |
|---|---------------------------|-----------------|-----------------|-----------------|-----------------|-----------------|-----------------|-------|
| Unit Supply Voltage | 208-230V, 1 ϕ , 60Hz | | | | | | | |
| Normal Voltage Range ¹ | 187 to 252 | | | | | | | |
| Minimum Circuit Ampacity | 11.9 | 17.6 | 17.3 | 23.7 | 26.1 | 28.8 | 35.3 | |
| Max. Overcurrent Device Amps ² | 20 | 30 | 30 | 40 | 45 | 50 | 60 | |
| Min. Overcurrent Device Amps ³ | 15 | 20 | 20 | 25 | 30 | 30 | 40 | |
| Compressor Type | Scroll | | | | | | | |
| Compressor Amps | Rated Load | 9.0 | 13.4 | 12.8 | 17.9 | 19.8 | 28.8 | 35.3 |
| | Locked Rotor | 48.0 | 58.3 | 64.0 | 96.7 | 115.0 | 115.0 | 118.0 |
| Crankcase Heater | No | | | | | | | |
| Fan Motor Amps | Rated Load | 0.7 | 0.8 | 1.3 | 1.3 | 1.3 | 1.3 | 1.3 |
| Fan Diameter Inches | 24 | | | | | | | |
| Fan Motor | Rated HP | 1/10 | 1/8 | 1/4 | 1/4 | 1/4 | 1/4 | 1/4 |
| | Nominal RPM | 825 | 1075 | 850 | 850 | 850 | 850 | 850 |
| | Nominal CFM | 2000 | 2000 | 3900 | 3900 | 3900 | 3800 | 3800 |
| Coil | Face Area Sq. Ft. | 15.72 | 19.17 | 23.58 | 23.58 | 23.58 | 23.58 | 23.58 |
| | Rows Deep | 1 | 1 | 1 | 1 | 1 | 2 | 2 |
| | Fin / Inches | 22 | 22 | 22 | 22 | 22 | 18 | 18 |
| Liquid Line Set OD (Field Installed) | 3/8 | | | | | | | |
| Vapor Line Set OD (Field Installed) | 3/4 | | | | | | | |
| Unit Charge (Lbs. - Oz.) ⁴ | 6 – 15 | 7 – 14 | 9 – 14 | 10 – 9 | 10 – 14 | 14 – 2 | 14 – 2 | |
| Charge Per Foot, Oz. | 0.62 | | | | | | | |
| Operating Weight Lbs. | 145 | | | | | | | |

1. Rated in accordance with ARI Standard 110, utilization range "A".
2. Dual element fuses or HACR circuit breaker. Maximum allowable overcurrent protection.
3. Dual element fuses or HACR circuit breaker. Minimum recommended overcurrent protection.
4. The Unit Charge is correct for the outdoor unit, matched indoor coil and 15 feet of refrigerant tubing. For tubing lengths other than 15 feet, add or subtract the amount of refrigerant, using the difference in length multiplied by the per foot value.

All dimensions are in inches. They are subject to change without notice. Certified dimensions will be provided upon request.



| Unit Model | Dimensions (Inches) | | | Refrigerant Connection Service Valve Size | |
|------------|---------------------|----|----|---|-------|
| | A ¹ | B | C | Liquid | Vapor |
| 18 | 28 | 34 | 34 | 3/8" | 3/4" |
| 24 | 40 | 29 | 29 | | |
| 30 | 40 | 34 | 34 | | |
| 36 | 40 | 34 | 34 | | |
| 42 | 40 | 34 | 34 | 7/8" | |
| 48 | 40 | 34 | 34 | | |
| 60 | 40 | 34 | 34 | | |

1. Including Fan Guard.

| System Charge for Various Matched Systems | | | | | | | |
|---|-----------------------|--------------|--------------|--------------|--------------|-------------|-------------|
| Outdoor Unit | CHJF18S41S1 | CHJF24S41S1 | CHJF30S41S1 | CHJF36S41S2 | CHJF42S41S2 | CHJF48S41S1 | CHJF60S41S2 |
| Required Orifice or TXV ^{1,2} | .051/1TVM4F1 | .059/1TVM4G1 | .063/1TVM4G1 | .071/1TVM4H1 | .075/1TVM4J1 | 1TVM4J1 | 1TVM4K1 |
| Factory Charge, lbs-oz | 6 - 15 | 7 - 14 | 9 - 14 | 10 - 9 | 10 - 14 | 14 - 2 | 14 - 2 |
| Indoor Coil ^{3,4} | Additional Charge, Oz | | | | | | |
| FC/MC/PC/UC32 | .051 + 0 | .059 + 0 | – | – | – | – | – |
| FC/MC/PC/UC35 | .051 + 0 | .059 + 0 | – | – | – | – | – |
| FC/MC/PC/UC37 | .051 + 13 | .059 + 12 | .063 + 0 | .071 + 0 | – | – | – |
| FC/MC/PC/UC43 | .051 + 13 | .059 + 12 | .063 + 0 | .071 + 0 | – | – | – |
| FC/PC62D3X | – | – | – | – | .075 + 0 | TXV + 0 | TXV + 0 |
| AHX30 | .051 + 0 | .059 + 0 | – | – | – | – | – |
| AHX36 | .051 + 13 | .059 + 12 | .063 + 0 | .071 + 0 | – | – | – |
| AHX60 | – | – | – | – | .075 + 0 | TXV + 0 | TXV + 0 |
| AV36 | .051 + 13 | .059 + 12 | .063 + 0 | .071 + 0 | – | – | – |
| F6FP030H06 | .051 + 0 | .059 + 0 | – | – | – | – | – |
| F6FP036H06 | .051 + 0 | .059 + 0 | – | – | – | – | – |
| F6FP042H06 | – | – | .063 + 3 | .071 + 3 | – | – | – |
| F6FP060H06 | – | – | – | – | .075 + 0 | TXV + 0 | TXV + 0 |

FOOTNOTES:

1. For applications requiring a TXV use 1TVM series kit.
2. Approved orifice shipped with outdoor unit.
3. Systems matched with furnace or air handlers not equipped with blower-off delays may require blower Time Delay Kit 2FD06700224.
4. PC coils cannot be used in downflow or horizontal applications. FC coils cannot be used in horizontal applications.

PROCEDURES:

1. Unit factory charge listed on the unit nameplate includes refrigerant for the condenser, the smallest evaporator and 15 feet of interconnecting line tubing.
2. Verify the TXV and additional charge required for specific evaporator coil in the system using the above table.
3. Additional charge for the amount of interconnecting line tubing greater than 15 feet at the rate specified in Physical and Electrical Data Table.
4. For orifice or TXV matches requiring additional charge, the refrigerant needs to be weighed in for specific coil match and lineset length.
5. Permanently mark the unit nameplate with the total system charge. Total System Charge = Base Charge (as shipped) + adder for evaporator + adder for line set.

