

SUBMITTAL DATA SHEET

FULL-CASED MULTI-POSITION ADD-ON COILS FOR USE WITH SPLIT-SYSTEM COOLING & HEAT PUMPS

MODELS: MC

JOB NAME:		LOCATION:		
PURCHASER:		ORDER NO:		
ENGINEER:				
SUBMITTED TO:	FOR:	REF:	APPROVAL:	CONSTRUCTION:
SUBMITTED BY:		DATE:		
UNIT DESIGNATION:		SCHEDULE NO.	MODEL NO.	

PRODUCT DATA

Cooling Performance

Total Capacity* _____ MBH
 Sensible Capacity* _____ MBH
 Temperature of Air Entering
 Indoor Coil _____ °F (DB/WB)

Supply Air Blower Performance

Total Supply Air _____ CFM
 Total Resistance External To Unit _____ IWG
 Blower Speed Tap _____ RPM
 Motor Rating _____ HP

Electrical Data

Power Supply _____ / _____ / _____
 Total Unit Ampacity _____ AMPS
 Minimum Wire Size _____ AWG
 (Copper conductors)
 Maximum Overcurrent Device _____ AMPS
 Fuses (Dual Element)
 Circuit Breaker (HACR)

Unit Weight

Total Operating Weight _____ LBS
 (Including field-installed accessories)
 * Shown in Outdoor Unit Technical Guide

CLEARANCES

Front	24"
Rear	0"
Sides	0"

Recommended service clearance.

FEATURES

MC COILS

- Rifled copper tubes and aluminum fins
- Sweat connect refrigerant connections
- MC - upflow, downflow and horizontal applications
- 3/4" insulation standard
- Available with or without factory installed R-22 TXV

MATCHED INDOOR UNIT

- Model Number (# _____)
 Submittal Part Number (# _____)

MATCHED OUTDOOR UNIT

- Model Number (# _____)
 Submittal Part Number (# _____)

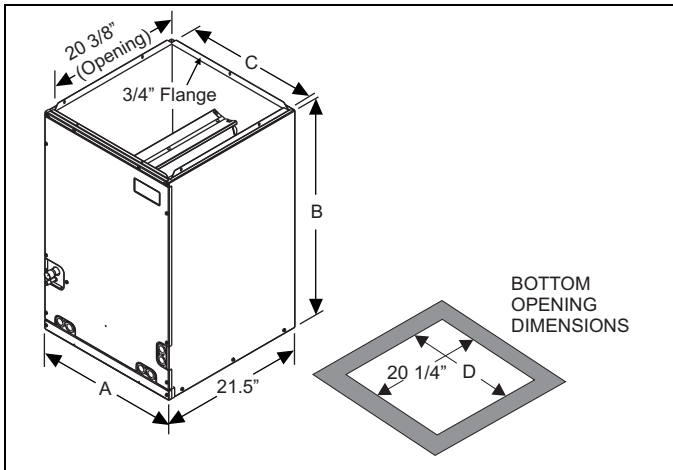
FIELD INSTALLED ACCESSORIES

- Electric Heaters (# _____)
 Capacity (@ _____ Volts) _____ MBH
 Power Input Requirement (Less Blower Motor) _____ KW
 Filter Rack (# _____)
 Combustible Floor Base (# _____)
 Interconnecting Lines. . . . Length _____ Ft
 Thermal Expansion Valve Kit (# _____)



DIMENSIONS - INCHES

Dimensions - MC Coils



COIL - MC

Dimensions - MC Coils

Model	A	B	C	D	Refrigerant Line Size ¹		Factory Installed TXV
					Liquid	Vapor	
MC18A2AH1	14.5	22	13 3/8	13.5	3/8	3/4	2A
MC18A3XH1	14.5	22	13 3/8	13.5	3/8	3/4	None
MC18A4FH1	14.5	22	13 3/8	13.5	3/8	3/4	4F
MC18B2AH1	17.5	22	16 3/8	16.5	3/8	3/4	2A
MC18B3XH1	17.5	22	16 3/8	16.5	3/8	3/4	None
MC18B4FH1	17.5	22	16 3/8	16.5	3/8	3/4	4F
MC24A2AH1	14.5	26.5	13 3/8	13.5	3/8	3/4	2A
MC24A3XH1	14.5	26.5	13 3/8	13.5	3/8	3/4	None
MC24A4FH1	14.5	26.5	13 3/8	13.5	3/8	3/4	4F
MC24B2AH1	17.5	26.5	16 3/8	16.5	3/8	3/4	2A
MC24B3XH1	17.5	26.5	16 3/8	16.5	3/8	3/4	None
MC24B4FH1	17.5	26.5	16 3/8	16.5	3/8	3/4	4F
MC30A2AH1	14.5	26.5	13 3/8	13.5	3/8	3/4	2A
MC30A3XH1	14.5	26.5	13 3/8	13.5	3/8	3/4	None
MC30A4FH1	14.5	26.5	13 3/8	13.5	3/8	3/4	4F
MC30B2AH1	17.5	26.5	16 3/8	16.5	3/8	3/4	2A
MC30B3XH1	17.5	26.5	16 3/8	16.5	3/8	3/4	None
MC30B4FH1	17.5	26.5	16 3/8	16.5	3/8	3/4	4F
MC32A2AH1	14.5	22	13 3/8	13.5	3/8	3/4	2A
MC32A3XH1	14.5	22	13 3/8	13.5	3/8	3/4	None
MC32A4FH1	14.5	22	13 3/8	13.5	3/8	3/4	4F
MC32A4GH1	14.5	22	13 3/8	13.5	3/8	3/4	4G
MC35B2AH1	17.5	22	16 3/8	16.5	3/8	3/4	2A
MC35B3XH1	17.5	22	16 3/8	16.5	3/8	3/4	None
MC35B4FH1	17.5	22	16 3/8	16.5	3/8	3/4	4F
MC35B4GH1	17.5	22	16 3/8	16.5	3/8	3/4	4G
MC35B4HH1	17.5	22	16 3/8	16.5	3/8	3/4	4H
MC35C2AH1	21	22	19 7/8	20	3/8	3/4	2A
MC35C3XH(1,2)	21	26.5/22	19 7/8	20	3/8	3/4	None
MC35C4FH1	21	22	19 7/8	20	3/8	3/4	4F
MC35C4GH1	21	22	19 7/8	20	3/8	3/4	4G
MC35C4HH1	21	22	19 7/8	20	3/8	3/4	4H
MC36A2AH1	14.5	26.5	13 3/8	13.5	3/8	7/8	2A
MC36A3XH1	14.5	26.5	13 3/8	13.5	3/8	7/8	None
MC36A4FH1	14.5	26.5	13 3/8	13.5	3/8	7/8	4F
MC36A4GH1	14.5	26.5	13 3/8	13.5	3/8	7/8	4G
MC36A4HH1	14.5	26.5	13 3/8	13.5	3/8	7/8	4H
MC36B2AH1	17.5	26.5	16 3/8	16.5	3/8	7/8	2A

Model	A	B	C	D	Refrigerant Line Size ¹		Factory Installed TXV
					Liquid	Vapor	
MC36B3XH1	17.5	26.5	16 3/8	16.5	3/8	7/8	None
MC36B4FH1	17.5	26.5	16 3/8	16.5	3/8	7/8	4F
MC36B4GH1	17.5	26.5	16 3/8	16.5	3/8	7/8	4G
MC36B4HH1	17.5	26.5	16 3/8	16.5	3/8	7/8	4H
MC36C2AH1	21	26.5	19 7/8	20	3/8	7/8	2A
MC36C3XH1	21	26.5	19 7/8	20	3/8	7/8	None
MC36C4FH1	21	26.5	19 7/8	20	3/8	7/8	4F
MC36C4GH1	21	26.5	19 7/8	20	3/8	7/8	4G
MC36C4HH1	21	26.5	19 7/8	20	3/8	7/8	4H
MC37A2AH1	14.5	26.5	13 3/8	13.5	3/8	3/4	2A
MC37A3XH1	14.5	26.5	13 3/8	13.5	3/8	3/4	None
MC37A4FH1	14.5	26.5	13 3/8	13.5	3/8	3/4	4F
MC42B2CH1	17.5	32	16 3/8	16.5	3/8	7/8	2C
MC42B3XH1	17.5	32	16 3/8	16.5	3/8	7/8	None
MC42B4FH1	17.5	32	16 3/8	16.5	3/8	7/8	4F
MC42B4HH1	17.5	32	16 3/8	16.5	3/8	7/8	4H
MC42C2CH1	21	32	19 7/8	20	3/8	7/8	2C
MC42C3XH1	21	32	19 7/8	20	3/8	7/8	None
MC42C4FH1	21	32	19 7/8	20	3/8	7/8	4F
MC42C4HH1	21	32	19 7/8	20	3/8	7/8	4H
MC43B2CH1	17.5	26.5	16 3/8	16.5	3/8	7/8	2C
MC43B2FH1	17.5	26.5	16 3/8	16.5	3/8	3/4	4F
MC43B3XH1	17.5	26.5	16 3/8	16.5	3/8	7/8	None
MC43B4GH1	17.5	26.5	16 3/8	16.5	3/8	7/8	4G
MC43B4KH1	17.5	26.5	16 3/8	16.5	3/8	7/8	4K
MC43C2CH1	21	26.5	19 7/8	20	3/8	7/8	2C
MC43C2FH1	21	26.5	19 7/8	20	3/8	7/8	4F
MC43C3XH1	21	26.5	19 7/8	20	3/8	7/8	None
MC43C4GH1	21	26.5	19 7/8	20	3/8	7/8	4G
MC43C4KH1	21	26.5	19 7/8	20	3/8	7/8	4K
MC48C2CH1	21	32	19 7/8	20	3/8	7/8	2C
MC48C3XH1	21	32	19 7/8	20	3/8	7/8	None
MC48C4FH1	21	32	19 7/8	20	3/8	7/8	4F
MC48C4HH1	21	32	19 7/8	20	3/8	7/8	4H
MC48C4JH1	21	32	19 7/8	20	3/8	7/8	4J
MC48C4KH1	21	32	19 7/8	20	3/8	7/8	4K
MC48D2CH1	24.5	32	23 3/8	23.5	3/8	7/8	2C
MC48D3XH1	24.5	32	23 3/8	23.5	3/8	7/8	None
MC48D4FH1	24.5	32	23 3/8	23.5	3/8	7/8	4F
MC48D4HH1	24.5	32	23 3/8	23.5	3/8	7/8	4H
MC48D4JH1	24.5	32	23 3/8	23.5	3/8	7/8	4J
MC48D4KH1	24.5	32	23 3/8	23.5	3/8	7/8	4K
MC60D2CH1	24.5	32	23 3/8	23.5	3/8	7/8	2C
MC60D3XH1	24.5	32	23 3/8	23.5	3/8	7/8	None
MC60D4GH1	24.5	32	23 3/8	23.5	3/8	7/8	4G
MC60D4HH1	24.5	32	23 3/8	23.5	3/8	7/8	4H
MC60D4JH1	24.5	32	23 3/8	23.5	3/8	7/8	4J
MC60D4KH1	24.5	32	23 3/8	23.5	3/8	7/8	4K
MC62D2CH1	24.5	36	23 3/8	23.5	3/8	7/8	2C
MC62D3XH1	24.5	36	23 3/8	23.5	3/8	7/8	None
MC62D4HH1	24.5	36	23 3/8	23.5	3/8	7/8	4H
MC62D4JH1	24.5	36	23 3/8	23.5	3/8	7/8	4J
MC62D4KH1	24.5	36	23 3/8	23.5	3/8	7/8	4K

All MC coils include a factory installed horizontal drain pan.
(3X) = Models require field installed metering device.

1. Refrigerant line sizes may require larger lines for extended line lengths. See York bulletin #690.01-AD1V for details.