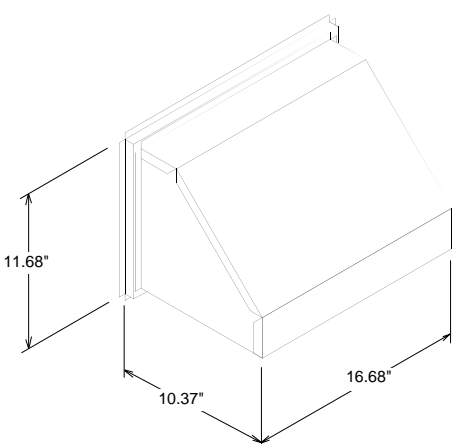
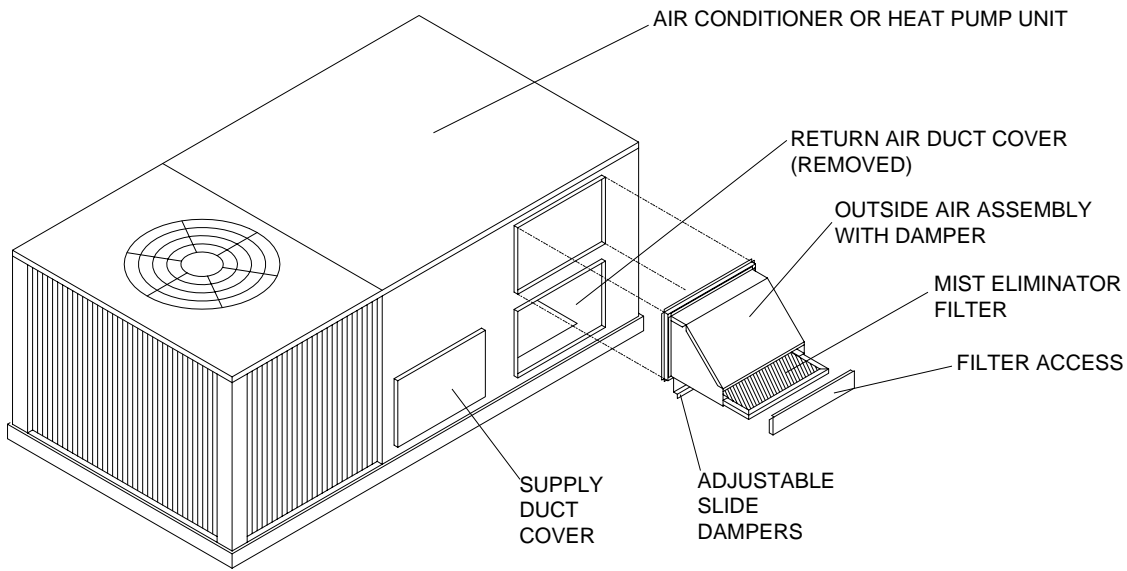


JOB NAME \_\_\_\_\_ LOCATION \_\_\_\_\_  
 PURCHASER \_\_\_\_\_ ORDER NO. \_\_\_\_\_  
 ENGINEER \_\_\_\_\_  
 SUBMITTED TO \_\_\_\_\_ FOR: Reference Approval Construction  
 SUBMITTED BY \_\_\_\_\_ DATE \_\_\_\_\_

**UNIT DESIGNATION: Schedule No. \_\_\_\_\_ MODEL NO. \_\_\_\_\_**



**NOTE:**  
 The 0-35% manual outside air system is designed to replace the unit duct cover. No drilling on the unit or field assembly is required. The amount of outside air is controlled by simply adjusting the slide damper. The panel is fully insulated.

Copyright © 1998 by Unitary Products Group - ALL RIGHTS RESERVED

**MANUAL OUTDOOR AIR DAMPER  
 ACCESSORY, 0% THRU 35% CAPABILITY  
 MODEL 1FA0403**

FORM 530.18-SD1.13C-0698

Supersedes: Nothing

