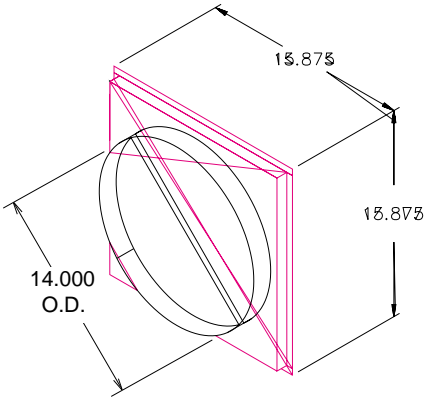
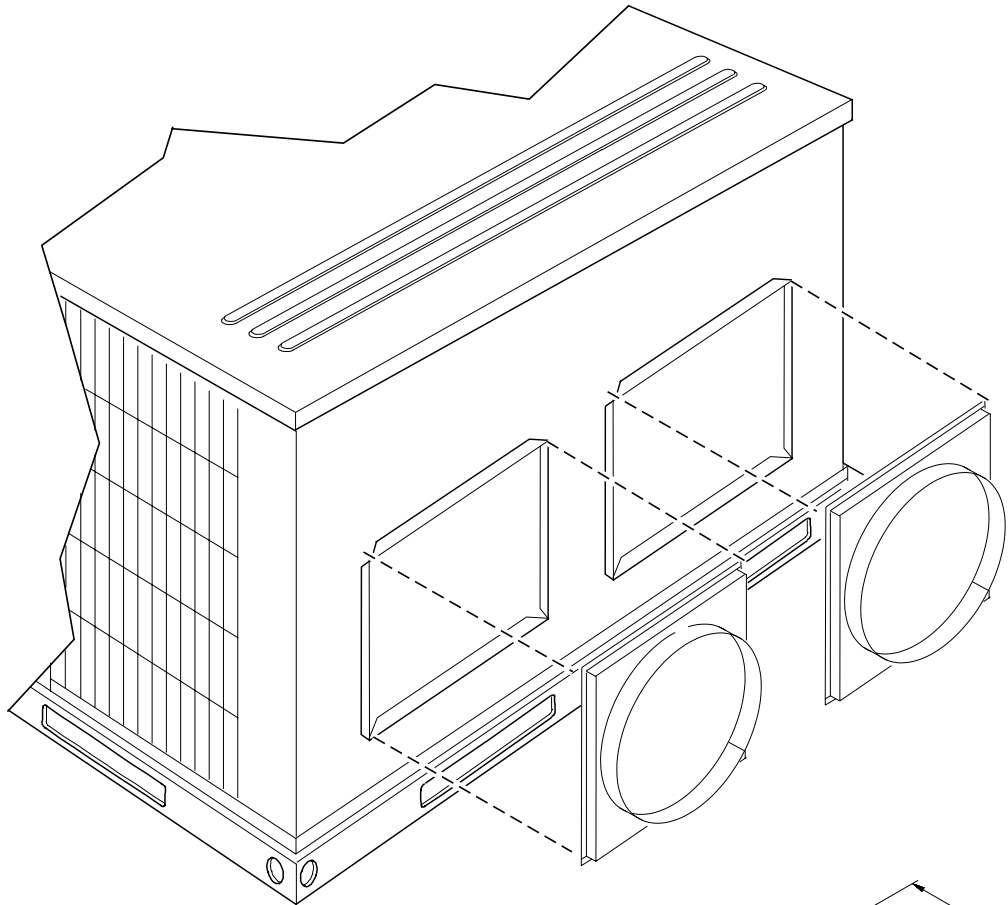


JOB NAME _____ LOCATION _____
PURCHASER _____ ORDER NO. _____
ENGINEER _____
SUBMITTED TO _____ FOR: Reference Approval Construction
SUBMITTED BY _____ DATE _____

UNIT DESIGNATION: Schedule No. _____ MODEL NO. _____



NOTE:
The Round Adaptor is designed to connect to the side duct openings and convert the square unit connections to round duct openings. This kit contains two adapters.

Subject to change without notice. Printed in the U. S. A.

**ROUND ADAPTER KIT
MODEL 1AK0107**

FORM 530.46-SD13C-1195
Supersedes: Nothing

