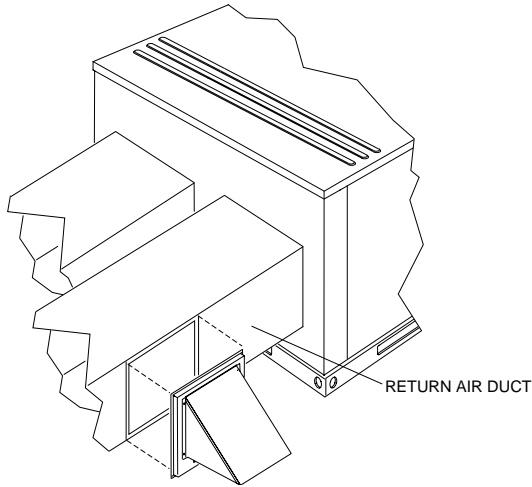
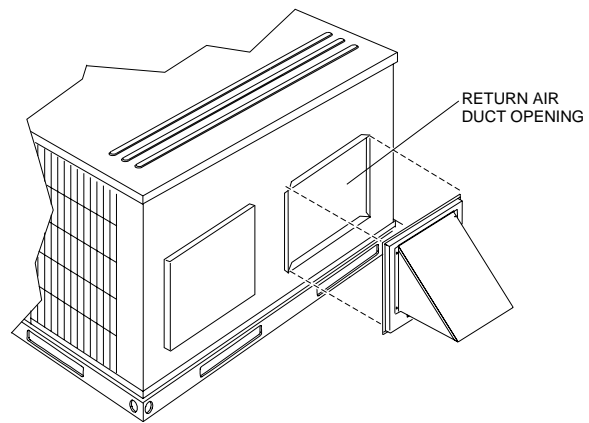


JOB NAME _____ LOCATION _____
 PURCHASER _____ ORDER NO. _____
 ENGINEER _____
 SUBMITTED TO _____ FOR: Reference Approval Construction
 SUBMITTED BY _____ DATE _____

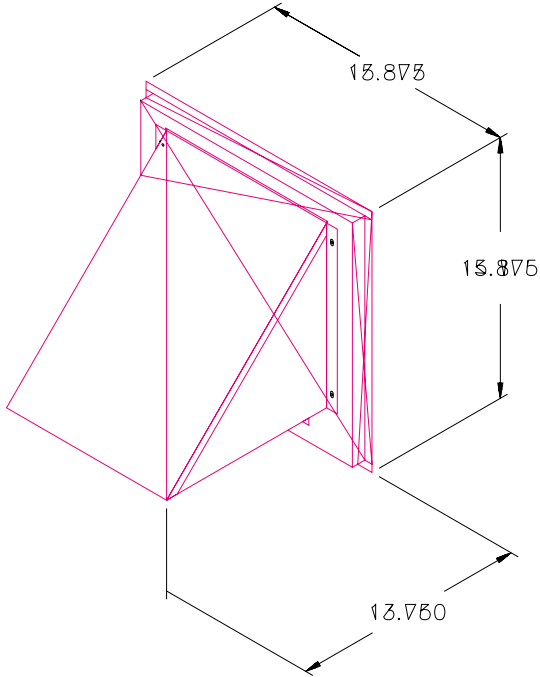
UNIT DESIGNATION: Schedule No. _____ MODEL NO. _____



SIDE RETURN AIR DUCT APPLICATION



DOWN SHOT RETURN AIR DUCT APPLICATION



NOTE:
 The 0 - 50% manual outside air system is designed to place over the return air side connection. No drilling on the unit or field assembly of this unit is required. The amount of outside air is controlled by simply adjusting the air slide damper. The panel is fully insulated, a protection screen is included.

Subject to change without notice. Printed in the U. S. A.

**MANUAL O.D.A. DAMPER
 MODEL 1FA0406
 (0% thru 50% capability)**

FORM 530.46-SD14C-1195
 Supersedes: Nothing

