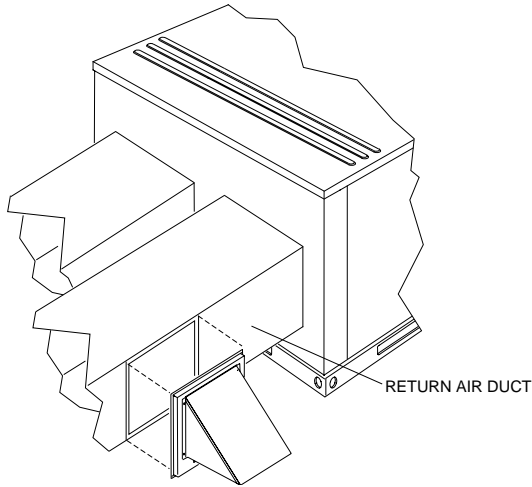
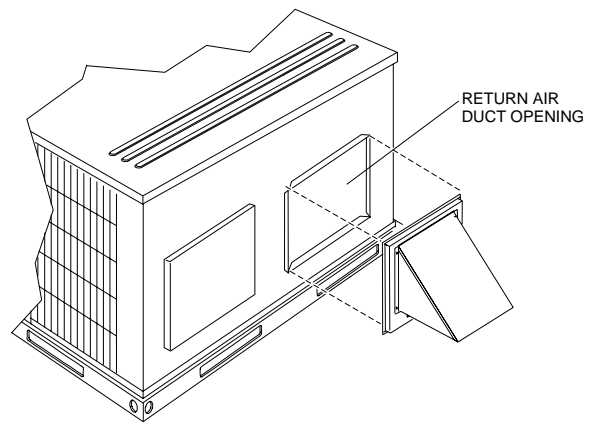


JOB NAME \_\_\_\_\_ LOCATION \_\_\_\_\_  
 PURCHASER \_\_\_\_\_ ORDER NO. \_\_\_\_\_  
 ENGINEER \_\_\_\_\_  
 SUBMITTED TO \_\_\_\_\_ FOR: Reference Approval Construction  
 SUBMITTED BY \_\_\_\_\_ DATE \_\_\_\_\_

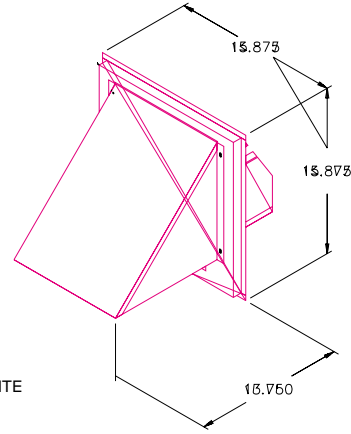
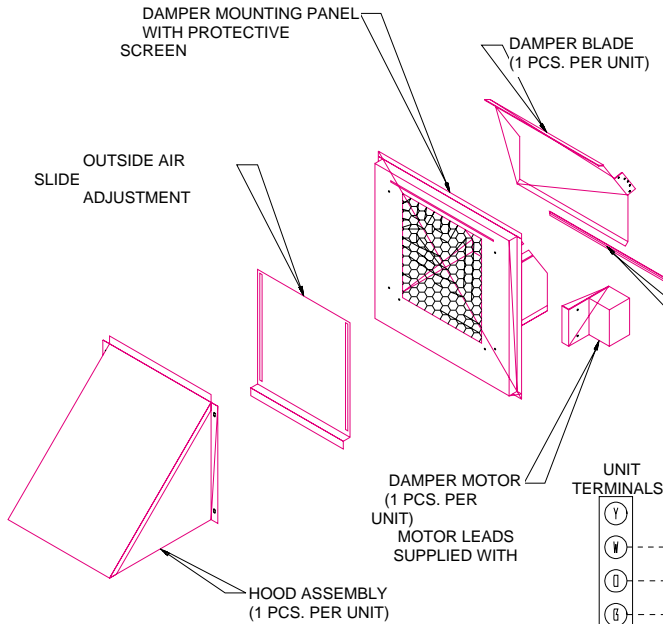
UNIT DESIGNATION: Schedule No. \_\_\_\_\_ MODEL NO. \_\_\_\_\_



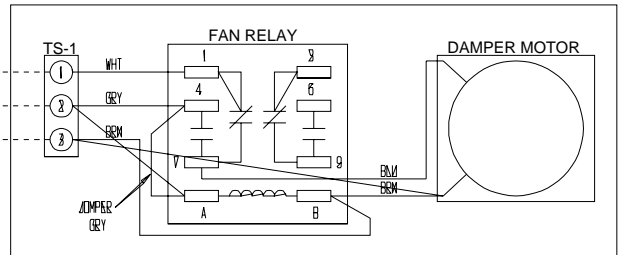
SIDE RETURN AIR DUCT APPLICATION



DOWN SHOT RETURN AIR DUCT APPLICATION



DAMPER SEAL WHITE (1 PCS. PER UNIT)



**NOTE:**

The 0 - 50% motorized outside air system is designed to place over the return air side connection. No drilling on the unit is required. This unit incorporates a 2-position control motor that opens the intake damper when the indoor blower is energized. The amount of air is controlled by an outside air slide plate. The intake panel is fully insulated. The damper closes on power loss.

Subject to change without notice. Printed in the U. S. A.

**MOTORIZED FRESH AIR DAMPER  
 MODEL 2FA08700124  
 (0% thru 50% capability)**

FORM 530.46-SD15C-0297

Supersedes: Nothing

