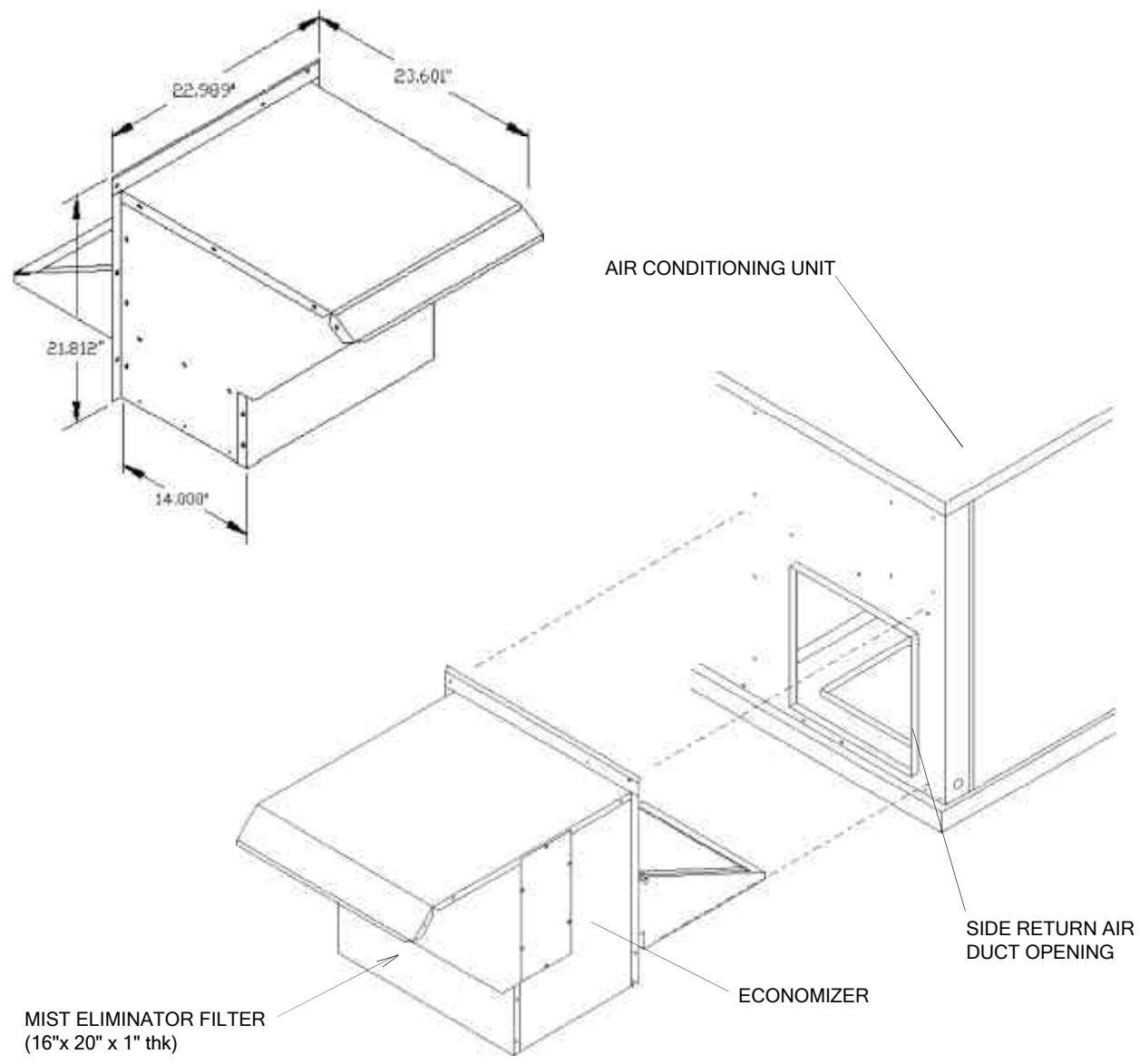


JOB NAME \_\_\_\_\_ LOCATION \_\_\_\_\_  
 PURCHASER \_\_\_\_\_ ORDER NO. \_\_\_\_\_  
 ENGINEER \_\_\_\_\_  
 SUBMITTED TO \_\_\_\_\_ FOR: Reference Approval Construction  
 SUBMITTED BY \_\_\_\_\_ DATE \_\_\_\_\_

UNIT DESIGNATION: Schedule No. \_\_\_\_\_ MODEL NO. \_\_\_\_\_



NOTE: The economizer is designed to attach to the air conditioning unit over the side return air duct opening and is used with all downshot applications. This economizer is completely factory assembled and is ready for field installation. See Page 2 for wiring diagram. Unit wiring shown as reference only. Refer to the unit wiring diagram for the actual wiring.

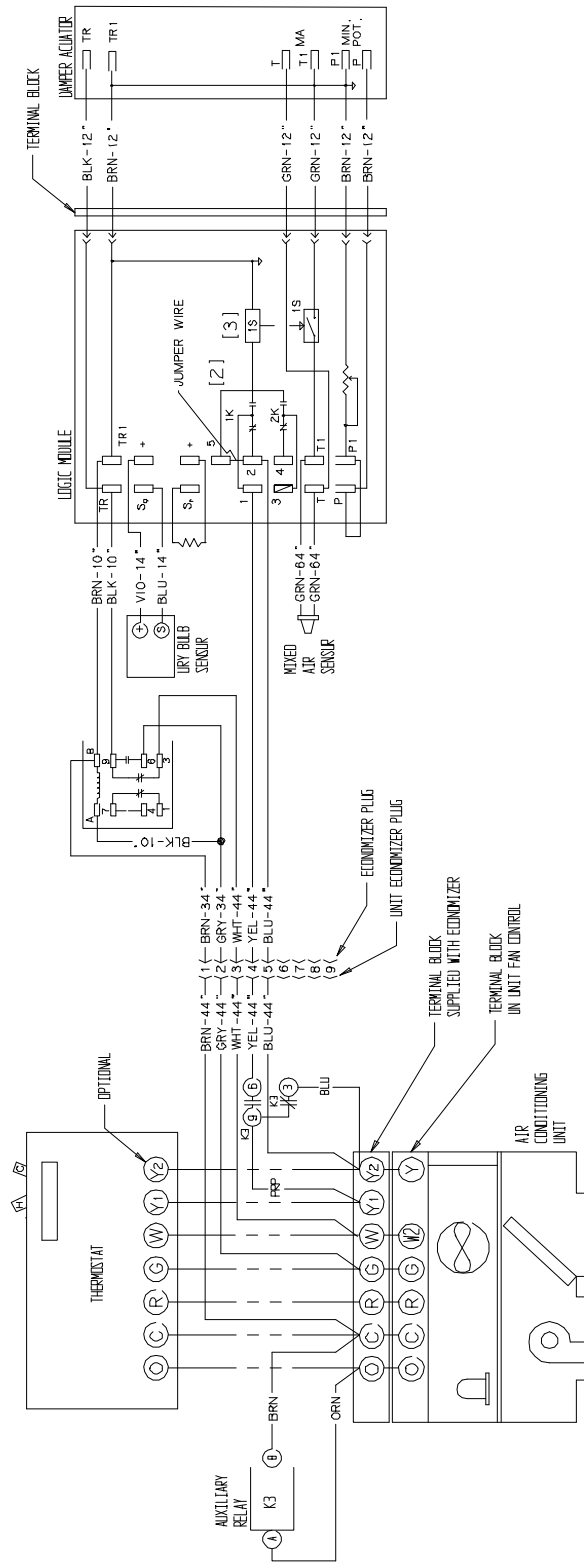
**ECONOMIZER**  
**MODEL 2EE04703124**

(DOWN SUPPLY / RETURN APPLICATIONS)

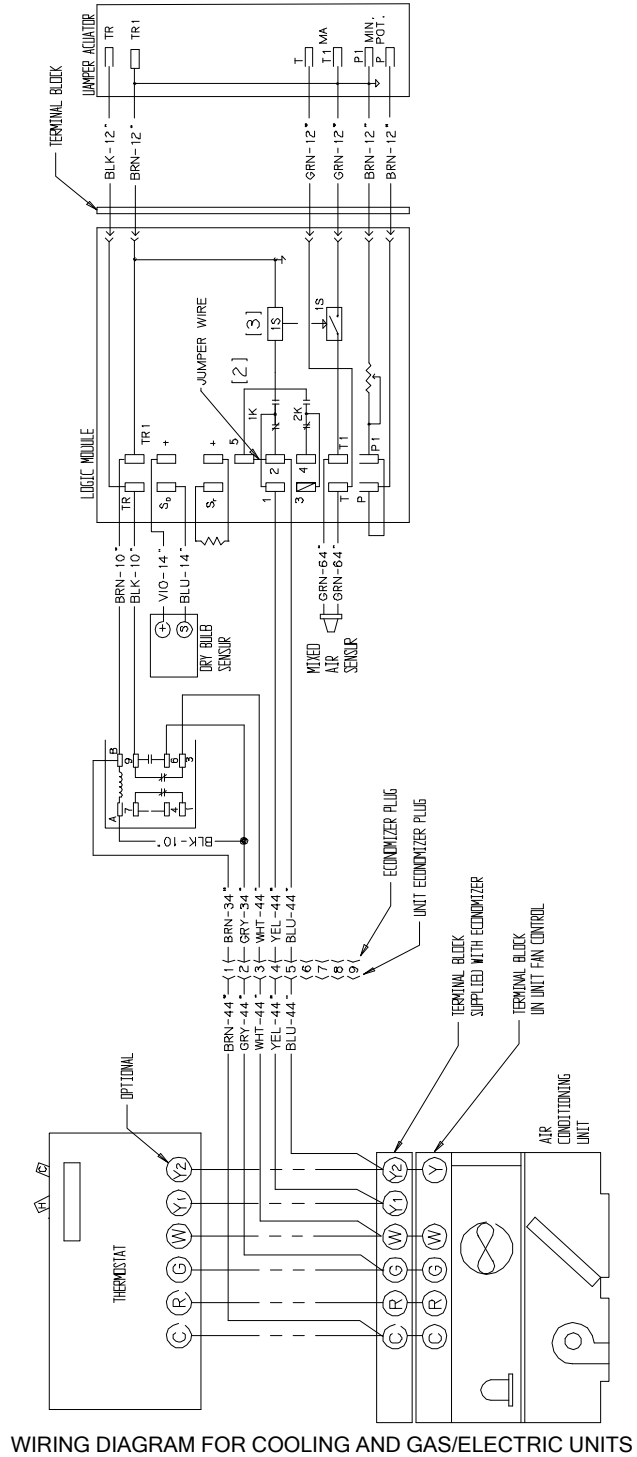
FORM 530.46-SD19C-A-0797

Supersedes: Nothing





WIRING DIAGRAM FOR HEAT PUMP UNITS



WIRING DIAGRAM FOR COOLING AND GAS/ELECTRIC UNITS

Copyright © 1997 by Unitary Products Group - ALL RIGHTS RESERVED

NOTES:

---



---



---



---