

REPAIR PART KIT INSTALLATION MANUAL

CHARGE COMPENSATOR REPLACEMENT (S1-32635433000 - 5 Ton, S1-32635434000 - 2 Ton)

FOR USE WITH MODELS: 5 Ton - YZ(B,H,F)060, HC(3,6,8)B060, HL(3,6,8)B060, 2 Ton - YZH024, H(C,L)8B024

GENERAL INFORMATION

This kit is an O.E.M. replacement for factory installed Charge Compensation Tanks. This kit is designed to fit the listed models.

Before installation, complete refrigerant recovery must be performed in accordance with applicable EPA regulations.

Remove TXV bulb and insulation. Un-braze and remove the existing compensator tank, liquid line and tee. Install the new tank, liquid line and tee, referring to the print below and braze in place. Caution, do not leave the system open to atmosphere for more than 5 minutes.

Check for leaks, evacuate and charge the system. Re-attach the TXV bulb and insulation.

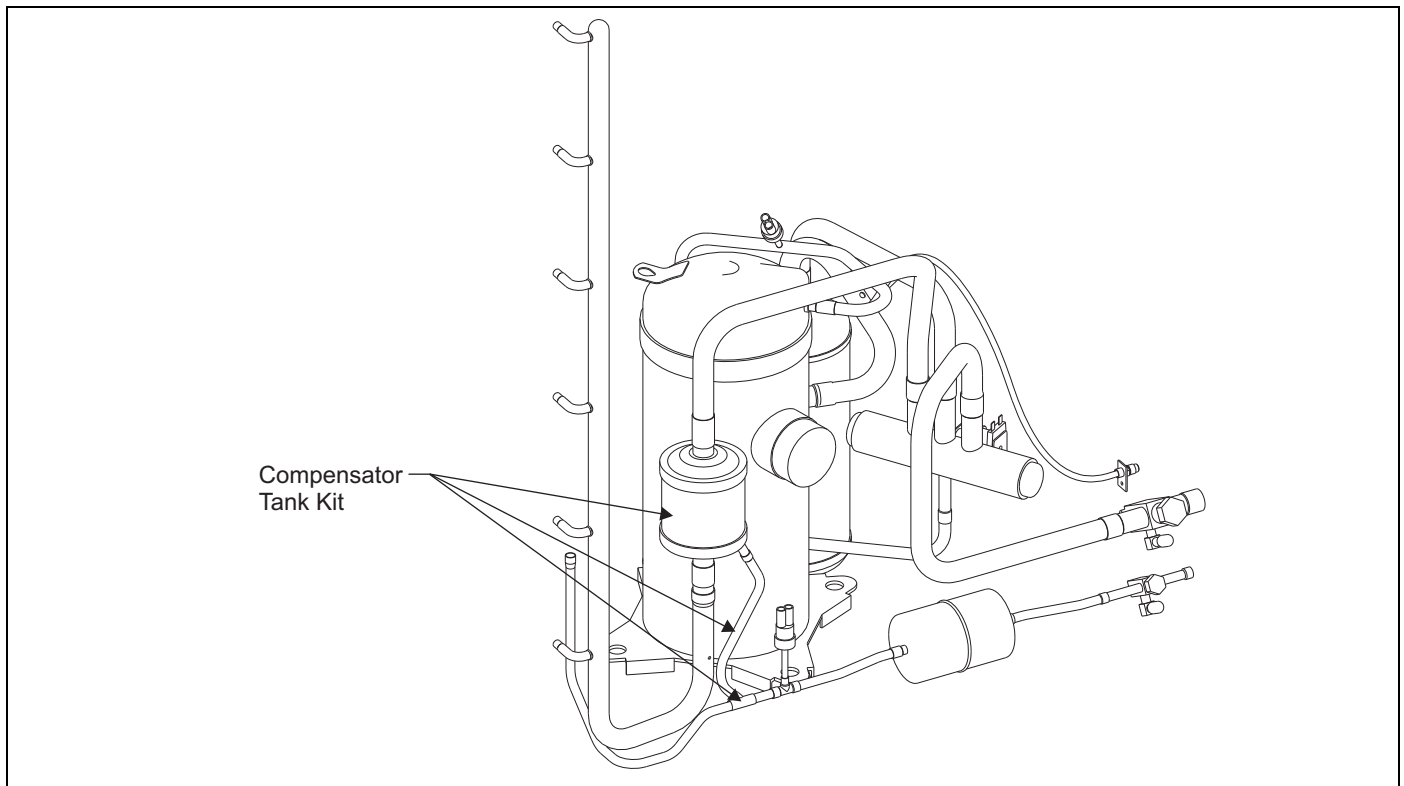


FIGURE 1