

# TABULAR DATA SHEET

## Outdoor Split System Heat Pump 1.5 Thru 5 Tons

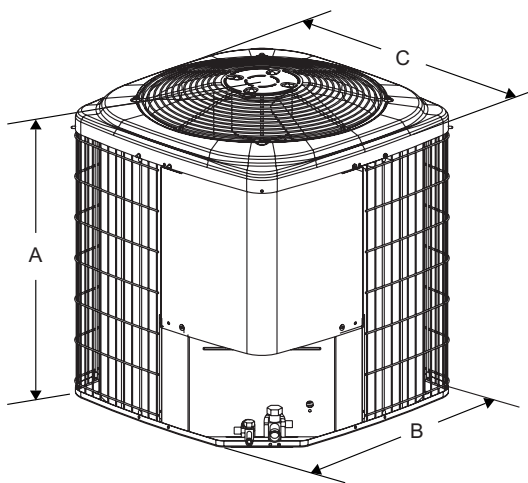
**MODELS: THGF18\* THRU 60**  
**14.5 SEER – R-410A, 1 PHASE**

### Physical and Electrical Data

MODEL	THGF18 S41S3	THGF24 S41S3	THGF30 S41S3	THGF36 S41S3	THGF42 S41S3	THGF48 S41S3	THGF60 S41S3	
Unit Supply Voltage	208-230V, 1 $\phi$ , 60Hz							
Normal Voltage Range <sup>1</sup>	187 to 252							
Minimum Circuit Ampacity	11.9	17.6	17.3	23.7	26.1	28.8	35.3	
Max. Overcurrent Device Amps <sup>2</sup>	20	30	30	40	45	50	60	
Min. Overcurrent Device Amps <sup>3</sup>	15	20	20	25	30	30	40	
Compressor Type	Scroll	Scroll	Scroll	Scroll	Scroll	Scroll	Scroll	
Compressor Amps	Rated Load	9.0	13.4	12.8	17.9	19.8	28.8	35.3
	Locked Rotor	48.0	58.3	64.0	96.7	115.0	115.0	118.0
Crankcase Heater	No	No	No	No	No	No	No	
Fan Motor Amps	Rated Load	0.7	0.8	1.3	1.3	1.3	1.3	
Fan Diameter Inches	24	22	24	24	24	24	24	
Fan Motor	Rated HP	1/10	1/8	1/4	1/4	1/4	1/4	
	Nominal RPM	825	1075	850	850	850	850	
	Nominal CFM	2000	2000	3900	3900	3900	3800	
Coil	Face Area Sq. Ft.	15.72	19.17	23.58	23.58	23.58	23.58	
	Rows Deep	1	1	1	1	1	2	
	Fin / Inches	22	22	22	22	22	18	
Liquid Line Set OD (Field Installed)	3/8	3/8	3/8	3/8	3/8	3/8	3/8	
Vapor Line Set OD (Field Installed)	3/4	3/4	3/4	3/4	7/8	7/8	1-1/8	
Unit Charge (Lbs. - Oz.) <sup>4</sup>	6 – 15	7 – 14	9 – 14	10 – 9	10 – 14	14 - 2	14 – 2	
Charge Per Foot, Oz.	0.62	0.62	0.62	0.62	0.67	0.67	0.75	
Operating Weight Lbs.	145	145	176	193	198	248	290	

1. Rated in accordance with ARI Standard 110, utilization range "A".
2. Dual element fuses or HACR circuit breaker. Maximum allowable overcurrent protection.
3. Dual element fuses or HACR circuit breaker. Minimum recommended overcurrent protection.
4. The Unit Charge is correct for the outdoor unit, matched indoor coil and 15 feet of refrigerant tubing. For tubing lengths other than 15 feet, add or subtract the amount of refrigerant, using the difference in length multiplied by the per foot value.

All dimensions are in inches. They are subject to change without notice. Certified dimensions will be provided upon request.



Unit Model	Dimensions (Inches)			Refrigerant Connection Service Valve Size	
	A <sup>1</sup>	B	C	Liquid	Vapor
18	28	34	34	3/8"	3/4"
24	40	29	29		
30	40	34	34		
36	40	34	34		
42	40	34	34		
48	40	34	34	7/8"	
60	40	34	34		

1. Including Fan Guard.

### System Charge for Various Matched Systems

Outdoor Unit	THGF18S41S3	THGF24S41S3	THGF30S41S3	THGF36S41S3	THGF42S41S3	THGF48S41S3	THGF60S41S3
Required Orifice or TXV <sup>1,2</sup>	.051/1TVM4F1	.059/1TVM4G1	.063/1TVM4G1	.071/1TVM4H1	.075/1TVM4J1	1TVM4J1	1TVM4K1
Factory Charge, lbs-oz	6 - 15	7 - 14	9 - 14	10 - 9	10 - 14	15 - 14	14 - 2
<b>Indoor Coil<sup>3,4</sup></b>	<b>Additional Charge, Oz</b>						
AHX30	.051 + 0	.059 + 0	—	—	—	—	—
AHX36	—	.059 + 12	.063 + 0	.071 + 0	—	—	—
AHX42	—	—	—	.071 + 11	—	—	—
AHX48	—	—	—	.071 + 14	—	—	—
AHX60	—	—	—	—	.075 + 0	TXV + 0	TXV + 0
AV36	.051 + 13	.059 + 12	.063 + 0	.071 + 0	—	—	—
AV48	—	—	—	.071 + 14	—	—	—
FC/MC/PC/UC32	.051 + 0	.059 + 0	—	—	—	—	—
FC/MC/PC/UC35	.051 + 0	.059 + 0	—	—	—	—	—
FC/MC/PC/UC37	.051 + 13	.059 + 12	.063 + 0	.071 + 0	—	—	—
FC/MC/PC/UC43	.051 + 13	.059 + 12	.063 + 0	.071 + 0	—	—	—
FC/MC/PC/UC48	—	—	—	.071 + 14	—	—	—
FC/PC62D3X	—	—	—	—	.075 + 0	TXV + 0	TXV + 0
FC64	—	—	—	—	—	TXV + 8	TXV + 8
F6FP030H06	.051 + 0	.059 + 0	—	—	—	—	—
F6FP036H06	.051 + 0	.059 + 0	—	—	—	—	—
F6FP042H06	—	—	—	.071 + 3	—	—	—
F6FP060H06	—	—	—	—	.075 + 0	TXV + 0	TXV + 0

**FOOTNOTES:**

1. For applications requiring a TXV use 1TVM series kit.
2. Approved orifice shipped with outdoor unit.
3. Systems matched with furnace or air handlers not equipped with blower-off delays may require blower Time Delay Kit 2FD06700224.
4. PC coils cannot be used in downflow or horizontal applications. FC coils cannot be used in horizontal applications.

**PROCEDURES:**

1. Unit factory charge listed on the unit nameplate includes refrigerant for the condenser, the smallest evaporator and 15 feet of interconnecting line tubing.
2. Verify the TXV and additional charge required for specific evaporator coil in the system using the above table.
3. Additional charge for the amount of interconnecting line tubing greater than 15 feet at the rate specified in Physical and Electrical Data Table.
4. For orifice or TXV matches requiring additional charge, the refrigerant needs to be weighed in for specific coil match and lineset length.
5. Permanently mark the unit nameplate with the total system charge. Total System Charge = Base Charge (as shipped) + adder for evaporator + adder for line set.

