

TABULAR DATA SHEET

Outdoor Split System Air Conditioner 2 Thru 5 Tons

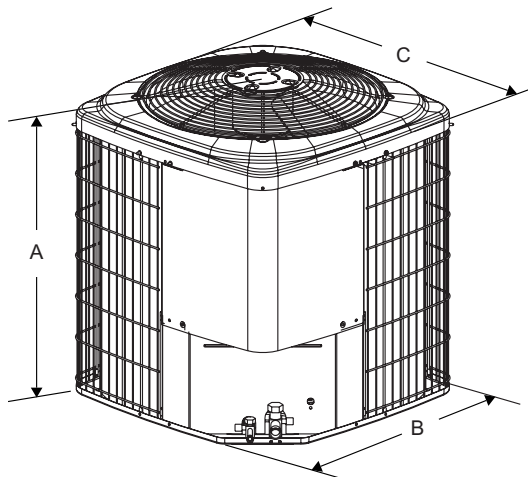
MODELS: TCGF24* THRU 60
14.5 SEER – R-410A, 1 PHASE

Physical and Electrical Data

MODEL	TCGF24S41S3	TCGF30S41S3	TCGF36S41S3	TCGF42S41S3	TCGF48S41S3	TCGF60S41S3
Unit Supply Voltage	208-230V, 1 ϕ , 60Hz					
Normal Voltage Range ¹	187 to 252					
Minimum Circuit Ampacity	16.8	18.4	19.1	23.9	27.9	35.9
Max. Overcurrent Device Amps ²	25	30	30	40	45	60
Min. Overcurrent Device Amps ³	20	20	20	25	30	40
Compressor Type	Scroll					
Compressor Amps	Rated Load	12.8	14.1	14.1	17.9	21.1
	Locked Rotor	58	73	77	112	115
Crankcase Heater	No					
Fan Motor Amps	Rated Load	.8	.8	1.5	1.5	1.5
Fan Diameter Inches	22					
Fan Motor	Rated HP	1/8	1/8	1/4	1/4	1/4
	Nominal RPM	1075	1075	850	850	850
	Nominal CFM	2750	2800	3200	3600	3600
Coil	Face Area Sq. Ft.	13.1	17.4	17.4	20.0	24.0
	Rows Deep	1	1	1	1	1
	Fin / Inches	23	23	23	23	23
Liquid Line Set OD (Field Installed)	3/8					
Vapor Line Set OD (Field Installed)	3/4					
Unit Charge (Lbs. - Oz.) ⁴	3 - 2	3 - 7	3 - 10	4 - 4	4 - 9	5 - 9
Charge Per Foot, Oz.	0.62	0.62	0.62	0.67	0.67	0.75
Operating Weight Lbs.	128	130	145	172	180	199

1. Rated in accordance with ARI Standard 110, utilization range "A".
2. Dual element fuses or HACR circuit breaker. Maximum allowable overcurrent protection.
3. Dual element fuses or HACR circuit breaker. Minimum recommended overcurrent protection.
4. The Unit Charge is correct for the outdoor unit, smallest matched evaporator coil and 15 feet of refrigerant tubing. For tubing lengths other than 15 feet, add or subtract the amount of refrigerant, using the difference in length multiplied by the per foot value.

All dimensions are in inches. They are subject to change without notice. Certified dimensions will be provided upon request.



Unit Model	Dimensions (Inches)			Refrigerant Connection Service Valve Size	
	A ¹	B	C	Liquid	Vapor
24	28	29	29	3/8"	3/4"
30	36	29	29		
36	36	29	29		
42	34	33.6	33.6		7/8"
48	36	33.6	33.6		
60	40	33.6	33.6		7/8" ²

1. Including Fan Guard.
2. Adapter fitting required for 1-1/8" line set.

System Charge for Various Matched Systems

Outdoor Unit	TCGF24S41S3	TCGF30S41S3	TCGF36S41S3	TCGF42S41S3	TCGF48S41S3	TCGF60S41S3
Required Orifice or TXV ¹	1TVM4F1	1TVM4G1	1TVM4G1	1TVM4G1	1TVM4J1	1TVM4J1
Factory Charge, lbs-oz	3 - 2	3 - 7	3 - 10	4 - 4	4 - 9	5 - 9
Indoor Coil ^{2,3,4}	Additional Charge, oz					
FC/MC/PC24	10	—	—	—	—	—
FC/MC/PC30	10	2	—	—	—	—
FC/MC/PC35	16	10	—	—	—	—
FC/MC/PC36	10	4	5	—	—	—
FC/MC/PC37	24	19	15	—	—	—
FC/MC/PC43	24	19	15	5	—	—
FC/MC/PC48	40	32	27	17	16	—
FC/MC/PC60	—	—	—	17	16	0
FC/MC62	—	—	—	25	26	18
FC64	—	—	—	30	33	25
UC24	8	—	—	—	—	—
UC60	—	—	12	—	—	—
HC30	10	—	—	—	—	—
HC36	16	11	8	—	—	—
HC42	25	19	15	6	—	—
HC60	—	—	—	0	0	0
HD24	16	—	—	—	—	—
HD36	18	—	—	—	—	—
HD48	51	42	36	24	25	—
HD60	—	—	—	—	24	24
AHP30	16	—	—	—	—	—
AHP36	—	19	15	—	—	—
AHX30	16	11	—	—	—	—
AHX36	—	11	15	—	—	—
AHX42	—	31	27	17	—	—
AHX48	—	31	27	17	16	—
AHX60	—	—	33	22	23	18
AHP/SHP60	—	—	—	—	1	—
AV*24	3	—	—	—	—	—
AV*36	25	19	15	—	—	—
AV/SV*48	—	—	9	0	1	—
AV/SV*60	—	—	—	0	1	0
F4FP030	3	—	—	—	—	—
F4FP036	—	—	5	—	—	—
F4FP040	—	—	8	—	—	—
F4FP042	—	—	8	—	—	—
F4FP045	—	—	9	—	—	—
F5FP048	—	—	20	10	11	—
F5FP060	—	—	20	10	11	—
F4FV060	—	—	9	10	1	—
F6FP030	17	11	—	—	—	—
F6FP036	—	11	8	—	—	—
F6FP042	—	23	19	17	—	—
F6FP048	—	23	19	17	16	—
F6FP060	—	—	33	23	23	18

FOOTNOTES:

1. Systems matched with furnace or air handlers not equipped with blower-off delays may require blower Time Delay Kit 2FD06700224.
2. PC coils cannot be used in downflow or horizontal applications. FC coils cannot be used in horizontal applications.
3. A TXV kit must be used with these coils to obtain system performance. Note: If a TXV is factory installed on the coil, it must be replaced with the listed TXV.
4. Refer to Technical Guide for actual system performance and matches.

PROCEDURES:

1. Unit factory charge listed on the unit nameplate includes refrigerant for the condenser, the smallest evaporator and 15 feet of interconnecting line tubing.
2. Verify the TXV or orifice and additional charge required for specific evaporator coil in the system using the above table.
3. Add additional charge for the amount of interconnecting line tubing greater than 15 feet at the rate specified in Physical and Electrical Data Table.
4. For TXV match charge weight needs to be weighed in for specific coil match and lineset length.
5. Permanently mark the unit nameplate with the total system charge. Total System Charge = Base Charge (as shipped) + adder for evaporator + adder for line set.

