

TABULAR DATA SHEET

Outdoor Split System Air Conditioner 1.5 Thru 5 Tons

MODELS: TCGD18* THRU 60

13 SEER – R-410A, 1 PHASE

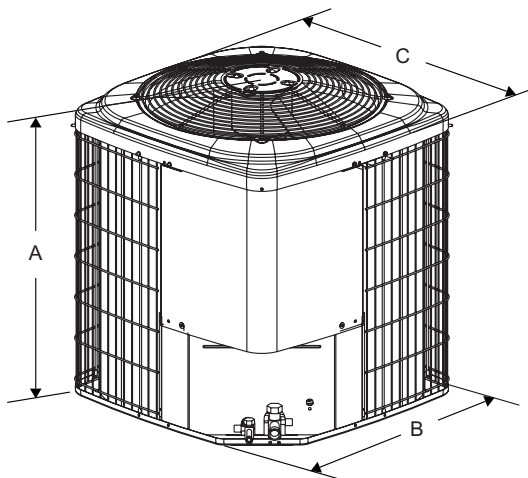
Physical and Electrical Data

MODEL	TCGD18 S41S3(H)	TCGD24 S41S3(H)	TCGD30 S41S3(H)	TCGD36 S41S3(H)	TCGD42 S41S3(H)	TCGD48 S41S3(H)	TCGD60 S41S3
Unit Supply Voltage	208-230V, 1 ϕ , 60Hz						
Normal Voltage Range ¹	187 to 252						
Minimum Circuit Ampacity	9.8	12.4	14.7	17.9	21.5	21.1	34.3
Max. Overcurrent Device Amps ²	15	20	25	30	35	35	60
Min. Overcurrent Device Amps ³	15	15	15	20	25	25	35
Compressor Type	Rotary	Recip	Recip	Recip	Recip	Recip	Scroll
Compressor Amps	Rated Load	7.4	9.3	10.6	13.1	16.0	26.2
	Locked Rotor	40.0	43.0	54.0	74	84	150
Crankcase Heater	No	No	No	No	No	No	No
Fan Motor Amps	Rated Load	0.5	0.8	1.4	1.5	1.5	1.5
	Rated HP	1/12	1/8	1/4	1/4	1/4	1/4
Fan Motor	Nominal RPM	1100	1075	1100	850	850	850
	Nominal CFM	1400	1950	2050	3200	2950	3600
Coil	Face Area Sq. Ft.	9.60	9.60	9.60	13.07	14.16	18.68
	Rows Deep	1	1	1	1	1	1
	Fin / Inches	23	23	23	23	23	23
Liquid Line Set OD (Field Installed)	3/8	3/8	3/8	3/8	3/8	3/8	3/8
Vapor Line Set OD (Field Installed)	5/8	3/4	3/4	3/4	7/8	7/8	7/8
Unit Charge (Lbs. - Oz.) ⁴	3 - 3	3 - 13	3 - 14	4 - 9	4 - 5	4 - 9	5 - 6
Charge Per Foot, Oz.	0.58	0.62	0.62	0.62	0.67	0.67	0.67
Operating Weight Lbs.	97	129	131	145	173	173	195

Models with "H" on the end of the model number have a factory installed start kits.

1. Rated in accordance with ARI Standard 110, utilization range "A".
2. Dual element fuses or HACR circuit breaker. Maximum allowable overcurrent protection.
3. Dual element fuses or HACR circuit breaker. Minimum recommended overcurrent protection.
4. The Unit Charge is correct for the outdoor unit, matched indoor coil and 15 feet of refrigerant tubing. For tubing lengths other than 15 feet, add or subtract the amount of refrigerant, using the difference in length multiplied by the per foot value.

All dimensions are in inches. They are subject to change without notice. Certified dimensions will be provided upon request.



Unit Model	Dimensions (Inches)			Refrigerant Connection Service Valve Size	
	A ¹	B	C	Liquid	Vapor
18	28	23-1/2	23-1/2	3/8"	3/4"
24	28	23-1/2	23-1/2		
30	28	23-1/2	23-1/2		
36	28	29	29		
42	30	29	29	7/8"	
48	30	29	29		
60	32	33-5/8	33-5/8		

1. Including Fan Guard.

System Charge for Various Matched Systems							
Outdoor Unit	TCGD18 S41S3(H)	TCGD24 S41S3(H)	TCGD30 S41S3(H)	TCGD36 S41S3(H)	TCGD42 S41S3(H)	TCGD48 S41S3(H)	TCGD60 S41S3
Required Orifice or TXV ^{1,2}	0.048/4F1	0.055/4F1	0.061/4F1	0.065/4G1	0.075/4G1	0.073/4H1	0.087/4J1
Factory Charge, lbs-oz	3 - 3	3 - 13	3 - 14	4 - 9	4 - 5	4 - 9	5 - 6
Indoor Coil ^{3,4}	Additional Charge, oz						
AHP18	0	-	-	-	-	-	-
AHP30	-	4	0	-	-	-	-
AHP36	-	-	2	0	-	-	-
AHP42	-	-	-	0	0	-	-
AHP/SHP60	-	-	-	-	-	0	0
AHX18	0	-	-	-	-	-	-
AHX30	-	4	0	-	-	-	-
AHX36	-	4	2	0	-	-	-
AHX42	-	-	-	8	2	-	-
AHX48	-	-	-	-	-	0	-
AHX60	-	-	-	-	-	-	4
AV*24	TXV + 0	-	-	-	-	-	-
AV*36	-	4	2	0	-	-	-
AV/SV*48	-	-	-	-	TXV + 2	0	-
AV/SV*60	-	-	-	-	TXV + 2	0	0
F4FP024	0	-	-	-	-	-	-
F4FP036	-	0	-	-	-	-	-
F4FP040	-	-	0	-	-	-	-
F4FV060	-	-	-	-	-	0	0
F5FP048	-	-	-	8	2	4	-
F5FP060	-	-	-	-	-	0	0
F6FP018	0	-	-	-	-	-	-
F6FP030	-	4	0	-	-	-	-
F6FP036	-	4	0	-	-	-	-
F6FP042	-	-	-	8	2	-	-
F6FP048	-	-	-	-	TXV + 2	0	-
F6FP060	-	-	-	-	-	-	4
FC/MC/PC/18	0	-	-	-	-	-	-
FC/MC/PC32	-	4	0	-	-	-	-
FC/MC/PC35	-	4	0	-	-	-	-
FC/MC/PC/36	-	0	-	-	-	-	-
FC/MC/PC37	-	4	2	0	-	-	-
FC/MC/PC43	-	4	2	0	0	-	-
FC/MC/PC48	-	-	-	8	2	4	-
FC/MC/PC60	-	-	-	-	-	0	0
FC/MC62	-	-	-	-	-	-	4
FC64	-	-	-	-	-	-	11
HC18	0	-	-	-	-	-	-
HC30	-	0	-	-	-	-	-
HC36	-	4	0	-	-	-	-
HC42	-	4	2	0	0	-	-
HC60	-	-	-	-	-	-	0
UC18	0	-	-	-	-	-	-
UC36	-	0	-	-	-	-	-
UC48	-	-	-	8	2	4	-
UC60	-	-	-	-	-	0	0

FOOTNOTES:

1. For applications requiring a TXV use 1TVM series kit.
2. Approved orifice shipped with outdoor unit.
3. Systems matched with furnace or air handlers not equipped with blower-off delays may require blower Time Delay Kit 2FD06700224.
4. PC coils cannot be used in downflow or horizontal applications. FC coils cannot be used in horizontal applications.

PROCEDURES:

1. Unit factory charge listed on the unit nameplate includes refrigerant for the condenser, the smallest evaporator and 15 feet of interconnecting line tubing.
2. Verify the TXV and additional charge required for specific evaporator coil in the system using the above table.
3. Additional charge for the amount of interconnecting line tubing greater than 15 feet at the rate specified in Physical and Electrical Data Table.
4. For orifice or TXV matches requiring additional charge, the refrigerant needs to be weighed in for specific coil match and lineset length.
5. Permanently mark the unit nameplate with the total system charge. Total System Charge = Base Charge (as shipped) + adder for evaporator + adder for line set.

IMPORTANT

Models 12-48 require start kits for TXV matches. Models with "H" on the end of the model number have factory installed start kits. For models without an "H" refer to tech guide for kit number reference.

