

SUBMITTAL DATA SHEET

COMFORTEER™ SINGLE PACKAGE HEAT PUMPS
(13 SEER, R-410A) 2 - 5 TON
MODELS: UB024 thru 060



JOB NAME:		LOCATION:		
PURCHASER:		ORDER NO:		
ENGINEER:				
SUBMITTED TO:	FOR:	REF:	APPROVAL:	CONSTRUCTION:
SUBMITTED BY:		DATE:		
UNIT DESIGNATION:		SCHEDULE NO.	MODEL NO.	

COOLING PERFORMANCE

EFFICIENCY ----- SEER
 TOTAL CAPACITY----- MBH
 SENSIBLE CAPACITY ----- MBH
 OUTDOOR DESIGN TMP. _____ °F DB/WB
 TOTAL SUPPLY AIR ----- CFM
 TEMP. OF AIR ENTERING
 EVAPORATOR COIL ----- °F DB/WB
 POWER INPUT REQ. ----- KW
 (LESS BLOWER MOTOR)

HEATING PERFORMANCE

CAPACITY
 @ 47°F----- MBH
 @ 17°F----- MBH
 COEFFICIENT OF PERFORMANCE
 @ 47°F----- MBH
 @ 17°F----- MBH
 RESISTANCE HEAT
 MODEL NUMBER-- _____
 CAPACITY----- MBH
 VOLTS-----
 POWER INPUT REQ. ----- KW

SUPPLY AIR BLOWER PERFORMANCE

TOTAL SUPPLY AIR ----- CFM
 TOTAL RESISTANCE EXTERNAL
 TO UNIT ----- IWG
 BLOWER SPEED (Circle)----- RPM
 MOTOR RATING ----- HP
 POWER INPUT REQ. ----- KW

ELECTRICAL DATA

POWER SUPPLY ----- / /
 TOTAL UNIT AMPACITY ----- AMPS
 MAX. OVERCURRENT DEVICE
 ___ FUSES ___ CIRCUIT BREAKER - AMPS

TOTAL UNIT WEIGHT

TOTAL UNIT WEIGHT (operational) - LBS

STANDARD FEATURES

- Two compact footprints to optimize performance and save installation space.
- Side electrical utility connections.
- Top discharge condenser air design with flush mounted grille guard.
- Full perimeter, removable base rails with built in shipping provisions.
- Unit cabinet is constructed of galvanized steel, with exterior surfaces coated with a non-chalking, powdered paint finish, certified at 1000 hours salt spray test per ASTM-B117 standards.
- Attractive cabinet design with single piece "Water-Shed" top cover and drip edge to deter water collection and longer life.
- Factory installed, attractive protection condenser coil grille.
- High efficient rifled tube with enhanced fin condenser and evaporator coils.
- Permanently lubricated outdoor and indoor motors.
- Constant torque indoor motor.
- Non corrosive condensate pan internally sloped to meet strict requirements of ASHRAE 62-89 Indoor Air Quality standard.
- Internal compressor protection (temperature and pressure).
- Standard cooling operation down to 45° F.
- Solid core filter drier standard.
- Ridged mounted, protected refrigerant access ports externally accessible.
- Colored wires for ease of service.
- Reliable demand defrost control with built-in anti-short cycle timer.
- Field installed electric heaters available.
- Warranties on all applications:
 - 5 years on the compressor
 - 5 years on electric heat element
 - 1 year limited parts

CLEARANCES

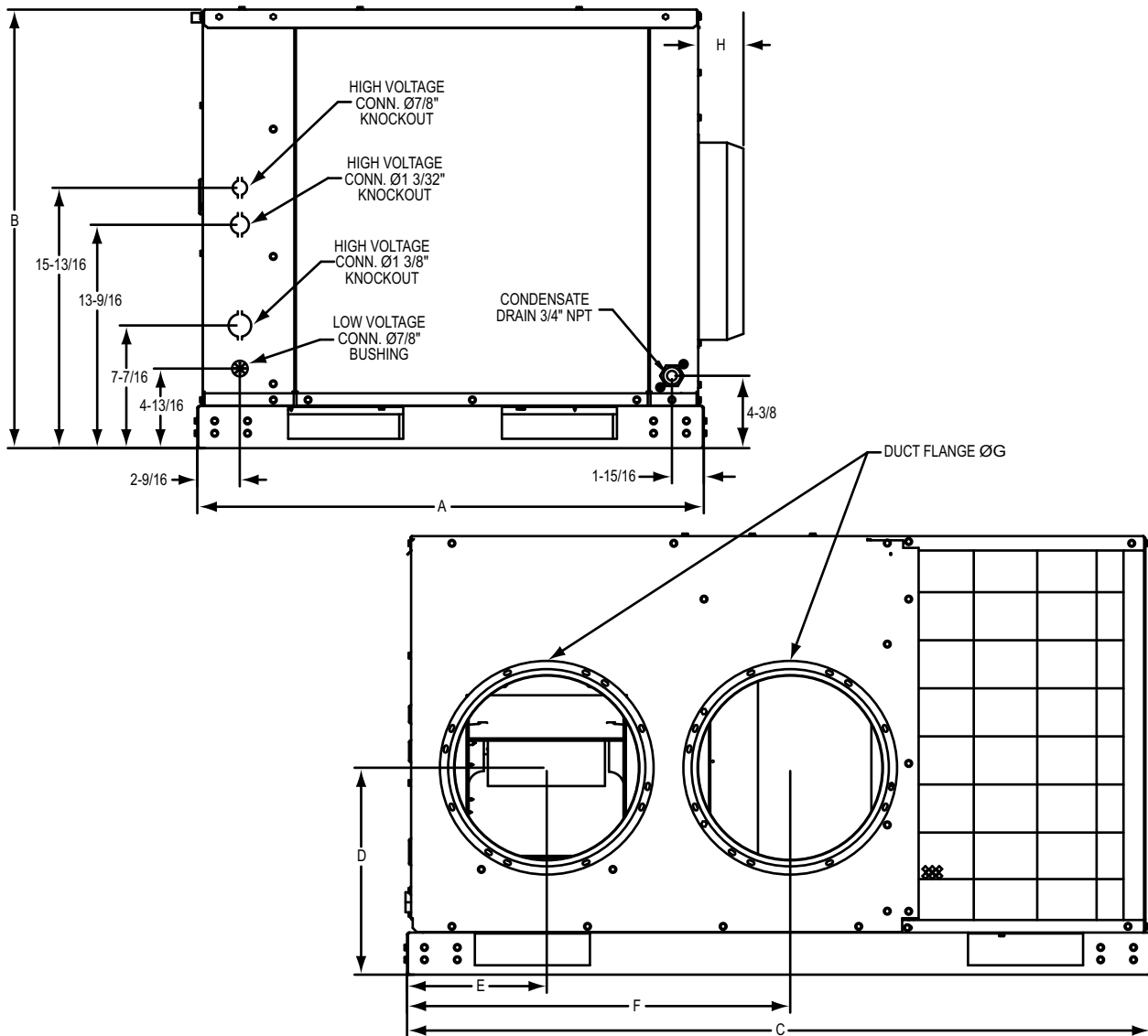
TOP¹----- 60"
 FRONT ----- 36"
 REAR² ----- 18"
 RIGHT SIDE ----- 24"
 LEFT SIDE ----- 24"
 BOTTOM----- 0"

1. Units must be installed outdoors. Over hanging structure or shrubs should not obscure condenser air discharge outlet.
2. Unit may be positioned to draw air from underneath structure.

NOTE:

- Refer to the latest technical guide for unit specifications.

DIMENSIONS - INCHES



Size (Tons)	Dimensions							
	"A"	"B"	"C"	"D"	"E"	"F"	"G"	"H"
024 (2.0)	32 13/16	30 15/16	47 1/4	12 9/16	8 1/2	24 1/16	12	2 3/4
030 (2.5)	32 13/16	30 15/16	47 1/4	12 9/16	8 1/2	24 1/16	12	2 3/4
036 (3.0)	32 13/16	30 15/16	47 1/4	12 9/16	8 1/2	24 1/16	12	2 3/4
042 (3.5)	32 13/16	34 15/16	57 9/16	11 9/16	10 5/16	28 7/8	14	2 3/4
048 (4.0)	32 13/16	34 15/16	57 9/16	11 9/16	10 5/16	28 7/8	14	2 3/4
060 (5.0)	32 13/16	34 15/16	57 9/16	11 9/16	10 5/16	28 7/8	14	2 3/4

Subject to change without notice. Printed in U.S.A.
 Copyright © 2009 by Johnson Controls, Inc. All rights reserved.

546139-CSD-A-1009
 Supersedes: Nothing

Johnson Controls Unitary Products
 5005 York Drive
 Norman, OK 73069