



HEATING &amp; AIR CONDITIONING

## TECHNICAL GUIDE

Echelon

R-410A SPLIT-SYSTEM AIR CONDITIONERS

15 SEER

MODELS:

AC5B024THRU 060\*(C)  
(2 THRU 5 NOMINAL TONS)



Due to continuous product improvement, specifications are subject to change without notice.

Visit us on the web at [www.york.com](http://www.york.com)

Additional rating information can be found at

[www.ahridirectory.org](http://www.ahridirectory.org)

### WARRANTY

Standard 5-year limited parts warranty.

10-year limited compressor warranty.

Premium System Warranty - Limited lifetime compressor when matched with an approved furnace or UPG air handler and coil.

Extended 10-year limited parts warranty when product is registered online within 90 days of purchase for replacement or closing for new home construction.

## DESCRIPTION

The 15 SEER Series unit is the outdoor part of a versatile climate system. It is designed with a matching indoor coil component from Johnson Controls Unitary Products. Available for typical applications this climate system is supported with accessories and documents to serve specific functions.

## FEATURES

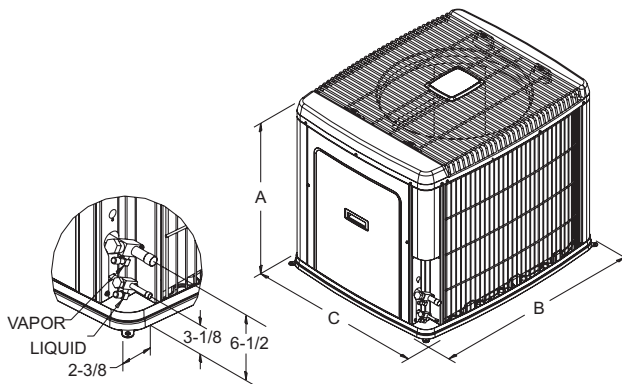
- **Superior Coil Protection** – A PVC coated steel coil guard completely protects coil from debris and other large damaging material while a polymer mesh further protects the coil against smaller particles.
- **Isolated Compressor Compartment** – A molded composite bulkhead isolates the compressor from the rest of the unit reducing sound and vibration.
- **Protected Compressors** – Each compressor is protected against abnormal pressures by an internal pressure relief valve and factory installed high and low pressure controls. Additional protection against moisture and debris is provided by factory installed liquid line filter driers.
- **Environmentally Friendly Refrigerant** – Next generation refrigerant R-410A delivers environmentally friendly performance with zero ozone depletion.
- **Durable Finish** – Automotive quality finish provides the ultimate protection from harmful U.V. rays and rust creep ensuring long-lasting high quality appearance. A powder-paint topcoat is applied over a baked-on primer, using a galvanized, zinc coated steel base material. The result is a finish that has been proven in testing to provide 33% greater durability than conventional powder-coat finishes.
- **Lower Installed Cost** – Designed to provide enhanced installability by featuring a slide-down control compartment and angled service valves to reduce overall installation time and cost.
- **Low Operating Sound Levels** – A fan design boasting technology adapted from aeronautic and defense engineering provides for whisper quiet operation by allowing airflow to flow smoothly and efficiently across the fan tips.
- **Filter-Drier** – A factory installed, solid core liquid line filter-drier filters harmful debris and moisture from the system.
- **Easy Service Access** – A full end, full service, access panel with handle makes for easy entry to internal components.
- **Composite Base** - Strong and durable composite base pan resists rust and corrosion while it helps reduce vibrations and noise.
- **Whisper drive system** - Features combination of swept-wing fan, composite base pan, isolated compressor compartment and two-stage compressor to reduce overall sound to a mere whisper.
- **Low RPM fan motor** - Helps to reduce airflow noise.
- **Agency Listed** - U.L. and C.U.L. listed - approved for outdoor application. The unit is certified in accordance with the Unitary Small Equipment certification program, which is based on ARI Standard 210/240.

**PHYSICAL AND ELECTRICAL DATA**

MODEL		AC5B024F3(C)	AC5B036F3(C)	AC5B048F3(C)	AC5B060F3F3(C)
Unit Supply Voltage		208-230V, 1 $\phi$ , 60Hz			
Normal Voltage Range <sup>1</sup>		187 to 252			
Minimum Circuit Ampacity		13.3	22.3	27.9	33.5
Max. Overcurrent Device Amps <sup>2</sup>		20	35	45	50
Min. Overcurrent Device Amps <sup>3</sup>		15	25	30	35
Compressor Type		Scroll	Scroll	Scroll	Scroll
Compressor Amps	Rated Load	10.3	16.7	21.2	25.6
	Locked Rotor	52	82	96	118
Crankcase Heater		No	No	No	No
Fan Motor Amps	Rated Load	0.5	1.5	1.5	1.5
Fan Diameter Inches		22	22	22	22
Fan Motor	Rated HP	1/15	1/4	1/4	1/4
	Nominal RPM	850	850	850	850
	Nominal CFM	2,000	3,450	3,250	3,150
Coil	Face Area Sq. Ft.	17.15	20.58	20.58	20.58
	Rows Deep	1	1	2	2
	Fins / Inch	22	22	22	22
Liquid Line Set OD (Field Installed)		3/8	3/8	3/8	3/8
Vapor Line Set OD (Field Installed)		3/4	3/4	7/8	1-1/8
Unit Charge (Lbs. - Oz.) <sup>4</sup>		7 - 5	8 - 4	14 - 2	13 - 9
Charge Per Foot, Oz.		0.62	0.62	0.67	0.75
Operating Weight Lbs.		195	210	260	270

1. Rated in accordance with ARI Standard 110, utilization range "A".
2. Dual element fuses or HACR circuit breaker. Maximum allowable overcurrent protection.
3. Dual element fuses or HACR circuit breaker. Minimum recommended overcurrent protection.
4. The Unit Charge is correct for the outdoor unit, matched indoor coil and 15 feet of refrigerant tubing. For tubing lengths other than 15 feet, add or subtract the amount of refrigerant, using the difference in length multiplied by the per foot value.

All dimensions are in inches. They are subject to change without notice. Certified dimensions will be provided upon request.



Unit Model	Dimensions (Inches)			Refrigerant Connection Service Valve Size	
	A	B	C	Liquid	Vapor
024	33-1/2	37	31	3/8"	3/4"
036	39-1/2	37	31		7/8"
048	39-1/2	37	31		7/8"
060	39-1/2	37	31		7/8" *

\* Expander fitting required for 1-1/8" line set.

System Charge for Various Matched Systems				
Outdoor Unit	AC5B024F3(C)	AC5B036F3(C)	AC5B048F3(C)	AC5B060F3(C)
Approved System Thermal Expansion Valve <sup>1</sup>	1TVM4F1	1TVM4F1	1TVM4J1	1TVM4J1
Factory Charge, lbs-oz	7 - 5	8 - 4	14 - 2	13 - 9
Indoor Coil <sup>2</sup>	TXV Kit <sup>3</sup> - Additional Charge, Oz			
AHX18	0	–	–	–
AHX24	10	–	–	–
AHX30	13	–	–	–
AHX36	20	12	–	–
AHX42	–	21	–	–
AHX48	–	21	8	–
AHX60	–	27	13	13
AV24	2	–	–	–
AV36	19	12	–	–
AV/SV48	–	21	8	–
AV/SV60	–	–	8	7
F*FV060	–	–	8	0
FC/MC/PC24	4	–	–	–
FC/MC/PC30	4	–	–	–
FC/MC/PC32	13	–	–	–
FC/MC/PC35	13	6	–	–
FC/MC/PC36	6	0	–	–
FC/MC/PC37	19	12	–	–
FC/MC/PC42	–	1	–	–
FC/MC/PC43	19	12	–	–
FC/MC/PC48	–	21	9	–
FC/MC/PC60	–	–	8	7
FC/MC62	–	–	14	13
HC30	10	–	–	–
HC42	–	12	–	–
HC60	–	–	8	0
HD36	26	–	–	–
HD48	–	30	17	–
HD60	–	–	0	9
UC24	6	–	–	–
UC30	6	–	–	–
UC36	6	0	–	–
UC42	–	1	–	–
UC48	–	16	3	–
UC60	–	–	8	7

**FOOTNOTES:**

1. Systems matched with furnace or air handlers not equipped with blower-off delays may require blower Time Delay Kit 2FD06700224.
2. PC coils cannot be used in downflow or horizontal applications. FC coils cannot be used in horizontal applications.
3. A TXV kit must be used with these coils to obtain system performance.

Note: If a TXV is factory installed on the coil, it must be replaced with the listed TXV.

**PROCEDURES:**

1. Unit factory charge listed on the unit nameplate includes refrigerant for the condenser, the smallest evaporator and 15 feet of interconnecting line tubing.
2. Verify the TXV and additional charge required for specific evaporator coil in the system using the above table.
3. Additional charge for the amount of interconnecting line tubing greater than 15 feet at the rate specified in Physical and Electrical Data Table.
4. For TXV matches requiring additional charge, the refrigerant needs to be weighed in for specific coil match and lineset length.
5. Permanently mark the unit nameplate with the total system charge. Total System Charge = Base Charge (as shipped) + adder for evaporator + adder for line set.

**COOLING CAPACITY - With Air Handler Coils**

UNIT MODEL	AIR HANDLER		COIL MODEL <sup>1</sup>	COOLING					
	MODEL	W		STAGE	RATED CFM	NET MBH		SEER	EER
<b>1 PH 15 SEER AC WITH MV</b>									
AC5B024F3(C)	MV12B	17	FC/MC36B	1	650	18.5	14.9	15.00	12.50
				2	825	24.0	19.0		
AC5B036F3(C)	MV12B	17	FC/MC42B	1	775	23.8	17.5	15.25	12.00
				2	1200	35.0	26.3		
	MV16C	21	FC/MC48C	1	775	25.4	18.7	15.50	12.50
				2	1185	-36.0	27.2		
	MV12D	24	FC/MC48D	1	775	25.4	18.8	15.75	12.50
				2	1185	36.0	27.2		
MV20D	24	FC/MC48D	1	775	25.4	18.8	15.75	12.50	
			2	1185	36.0	27.2			
AC5B048F3(C)	MV20D	24	FC/MC60D	1	1000	33.4	25.1	15.50	12.50
				2	1600	47.0	36.6		
	MV20D	24	MC61D	1	1000	33.6	25.3	16.00	12.50
				2	1560	47.0	37.1		
AC5B060F3(C)	MV20D	24	FC/MC60D	1	1200	39.0	29.5	13.50	11.00
				2	1845	54.5	42.5		
	MV20D	24	MC61D	1	1180	39.5	29.7	14.00	11.50
				2	1850	55.0	42.7		
<b>1 PH 15 SEER AC WITH AV / SV / F*FV</b>									
AC5B024F3(C)	AV*24	17	-	1	540	17.5	12.7	14.50	12.25
				2	800	23.6	17.3		
	AV*36	21	-	1	505	17.6	12.6	14.50	12.75
				2	725	24.0	17.3		
AC5B036F3(C)	AV*36	21	-	1	765	25.0	18.0	15.00	12.00
				2	1190	35.2	25.5		
	AV/SV*48	24	-	1	815	25.2	18.3	15.25	12.25
				2	1220	35.6	25.9		
AC5B048F3(C)	AV/SV*48	24	-	1	1055	33.4	24.6	16.25	12.25
				2	1625	48.0	35.8		
	AV/SV*60	24	-	1	995	34.2	24.6	16.25	12.25
				2	1560	47.5	35.2		
	F*FV060	24	-	1	1000	33.4	25.1	15.75	12.50
				2	1600	47.0	36.6		
AC5B060F3(C)	AV/SV*60	24	-	1	1095	38.0	26.1	13.25	10.50
				2	1730	53.5	38.1		
	F*FV060	24	-	1	1200	39.0	29.5	13.75	11.00
				2	1845	55.0	42.4		
<b>1 PH 15 SEER AC WITH AHX</b>									
AC5B024F3(C)	AHX18	17	-	1	535	17.3	12.4	14.50	12.25
			-	2	835	23.4	17.1		
	AHX24	17	-	1	540	17.5	12.6	14.50	12.25
			-	2	800	23.6	17.3		
	AHX30	17	-	1	545	17.8	12.9	14.50	12.50
			-	2	820	24.0	17.9		
	AHX36	21	-	1	505	17.6	12.5	14.00	12.00
			-	2	820	24.0	18.0		

For Notes See Page 5.

**COOLING CAPACITY - With Air Handler Coils (Continued)**

UNIT MODEL	AIR HANDLER		COIL MODEL <sup>1</sup>	COOLING					
	MODEL	W		STAGE	RATED CFM	NET MBH		SEER	EER
AC5B036F3(C)	AHX36	21	—	1	770	25.0	18.0	15.00	12.00
			—	2	1225	35.2	25.9		
	AHX42	21	—	1	990	26.4	20.3	15.50	12.50
			—	2	1190	35.6	26.1		
	AHX48	24	—	1	885	25.2	18.9	15.50	12.25
			—	2	1255	35.6	26.4		
AHX60	24	—	1	1015	26.8	21.3	15.50	12.25	
		—	2	1300	36.0	27.0			
AC5B048F3(C)	AHX48	24	—	1	1070	33.4	24.8	16.25	12.25
			—	2	1660	48.0	36.8		
	AHX60	24	—	1	1075	34.2	25.2	16.25	12.25
			—	2	1680	47.5	36.3		
AC5B060F3(C)	AHX60	24	—	1	1075	38.0	26.3	13.25	10.25
			—	2	1905	53.5	39.4		

Rated in accordance with DOE test procedures (Federal Register 12-27-79 and 3-18-88) and ARI Standards 210.

Cooling MBH based on 80°F entering air temperature, 50% RH, and rated air flow.

EER (Energy Efficiency Ratio) is the total cooling output in BTU's at 95°F outdoor ambient divided by the total electric power in watt-hours at those conditions.

SEER (Seasonal Energy Efficiency Ratio) is the total cooling output in BTU's during a normal annual usage period for cooling divided by the total electric power input in watt-hours during the same period.

1. MC coils available with a factory installed horizontal drain pan. See price pages for specific model number.

— = Not applicable.

**COOLING CAPACITY - Upflow, Downflow & Horizontal Furnaces and Coils**

UNIT MODEL	FURNACE**		COIL MODEL	COOLING					
	CFM RANGE (Min.-max.)	W		STAGE	RATED CFM	NET MBH		SEER <sup>1</sup>	EER
						TOTAL	SENS.		
AC5B024F3(C)	450 - 650	14,17,21	FC/MC/PC36	1	600	18.0	13.3	13.40	11.60
	650 - 1150			2	800	24.0	18.5		
AC5B036F3(C)	700 - 1000	21,24	FC/MC/PC48	1	900	25.4	18.9	13.35	11.55
	1000 - 1400			2	1200	35.2	25.6		
AC5B048F3(C)	1000 - 1400	21,24	FC/MC/PC60	1	1200	34.0	25.8	13.55	11.95
	1400 - 1800			2	1600	47.0	35.4		
AC5B060F3(C)	1150 - 1550	24	FC/MC62	1	1350	40.0	28.4	13.00	11.00
	1600 - 2000			2	1800	54.5	39.5		

1. Requires a 2FD06700224 Blower Time Delay unless a standard furnace is equipped with one.

\*\* Refer to Quick Selection Chart for specific furnace match-up.

**COOLING CAPACITY - With High Efficiency Motor Furnaces**

UNIT MODEL	FURNACE MODEL	COIL MODEL <sup>1</sup>	W	COOLING					
				STAGE	RATED CFM	NET MBH		SEER	EER
						TOTAL	SENS.		
<b>1 PH 15 SEER AC WITH HIGH EFFICIENCY FURNACES<sup>2</sup></b>									
AC5B024F3(C)	T*(8,L)X*A12	FC/MC/PC24A	14	1	555	17.7	12.9	15.50	12.25
				2	775	23.8	17.3		
	T*(8,L)X*B12	FC/MC/PC24B	17	1	645	17.8	13.4	14.75	12.50
				2	835	23.8	17.7		
	T*9X*B12	FC/MC/PC24B	17	1	595	17.7	13.1	14.75	12.25
				2	775	23.8	17.3		
	T*(8,L)X*B12	FC/MC/PC30B	17	1	645	17.8	13.4	15.00	12.50
				2	835	23.8	17.6		
	T*9X*B12	FC/MC/PC30B	17	1	595	17.7	13.1	14.75	12.25
				2	775	23.8	17.3		
	T*(8,L)X*A12	FC/MC/PC32A	14	1	530	17.4	12.5	14.25	12.00
				2	800	23.6	17.5		
	T*(8,L)X*B12	FC/MC/PC35B	17	1	675	17.3	13.4	14.75	12.25
				2	850	23.6	17.8		
	T*(8,L)X*C16	FC/MC/PC35C	21	1	625	18.1	13.7	14.75	12.25
				2	865	24.4	18.5		
	T*(8,L)X*C20	FC/MC/PC35C	21	1	715	18.8	15.3	14.75	12.25
				2	885	24.6	18.6		
	T*9X*B12	FC/MC/PC35B	17	1	620	17.5	13.1	14.75	12.25
				2	785	23.8	17.6		
	T*9X*C16	FC/MC/PC35C	21	1	610	18.1	13.5	14.50	12.50
				2	765	23.8	17.6		
	T*(8,L)X*A12	FC/MC/PC36A	14	1	555	17.9	13.0	14.50	12.25
				2	815	23.8	17.9		
	T*(8,L)X*B12	FC/MC/PC36B	17	1	670	17.3	13.3	14.75	12.50
				2	835	23.8	17.9		
	T*(8,L)X*C16	FC/MC/PC36C	21	1	675	18.6	14.3	15.00	12.75
				2	875	24.4	18.5		
	T*9X*B12	FC/MC/PC36B	17	1	600	17.9	13.4	14.75	12.25
				2	775	23.8	17.6		
	T*9X*C16	FC/MC/PC36C	21	1	665	18.6	14.2	14.75	12.75
				2	815	24.2	18.1		
	T*(8,L)X*A12	FC/MC/PC37A	14	1	640	18.0	13.7	14.75	12.25
				2	840	24.2	18.3		
	T*(8,L)X*B12	FC/MC/PC43B	17	1	700	17.5	13.7	14.75	12.50
				2	865	24.2	18.4		
T*9X*C16	FC/MC/PC43C	21	1	645	18.6	14.1	15.00	12.75	
			2	785	24.4	18.1			
T*(8,L)X*C16	HD36	21	1	695	18.3	13.7	14.25	12.75	
			2	855	24.2	17.6			
T*(8,L)X*A12	UC24A	14	1	555	17.8	12.9	14.50	12.25	
			2	785	23.8	17.5			
T*(8,L)X*B12	UC24B	17	1	645	17.9	13.5	15.00	12.50	
			2	835	24.0	17.9			
T*9X*B12	UC24B	17	1	595	17.9	13.3	14.50	12.25	
			2	775	23.8	17.3			
T*(8,L)X*A12	UC30A	14	1	555	17.8	12.9	14.50	12.25	
			2	785	23.8	17.5			
T*(8,L)X*B12	UC30B	17	1	645	17.9	13.5	15.00	12.50	
			2	835	24.0	17.9			
T*9X*B12	UC30B	17	1	595	17.9	13.3	14.50	12.25	
			2	775	23.8	17.3			

For Notes See Page 14.

## COOLING CAPACITY - With High Efficiency Motor Furnaces (Continued)

UNIT MODEL	FURNACE MODEL	COIL MODEL <sup>1</sup>	W	COOLING					
				STAGE	RATED CFM	NET MBH		SEER	EER
						TOTAL	SENS.		
<b>1 PH 15 SEER AC WITH HIGH EFFICIENCY FURNACES<sup>2</sup></b>									
AC5B024F3(C)	T*(8,L)X*B12	UC36B	17	1	670	16.6	12.7	14.25	12.00
				2	835	22.8	17.0		
	T*(8,L)X*C16	UC36C	21	1	675	17.8	13.5	14.25	12.25
				2	875	23.6	17.8		
	T*9X*B12	UC36B	17	1	600	17.0	12.4	14.00	12.00
				2	775	23.0	16.9		
	T*9X*C16	UC36C	21	1	665	17.7	13.4	14.25	12.25
				2	815	23.4	17.3		
	(C*(8,L)C/T*8V)*A12	FC/MC/PC24A	14	1	590	17.7	13.3	14.75	12.25
				2	805	23.8	18.4		
	(C*(8,L)C/T*8V)*B12	FC/MC/PC24B	17	1	565	17.8	13.3	15.00	12.50
				2	815	23.8	18.5		
	(C*9C/T*9V)*B12	FC/MC/PC24B	17	1	565	17.7	13.3	14.75	12.25
				2	790	23.8	18.4		
	(C*(8,L)C/T*8V)*A12	FC/MC/PC30A	14	1	590	17.7	13.3	14.75	12.25
				2	805	23.8	18.4		
	(C*(8,L)C/T*8V)*B12	FC/MC/PC30B	17	1	565	17.8	13.3	15.00	12.50
				2	815	23.8	18.5		
	(C*9C/T*9V)*B12	FC/MC/PC30B	17	1	565	17.7	13.3	14.75	12.25
				2	790	23.8	18.4		
	(C*(8,L)C/T*8V)*A12	FC/MC/PC32A	14	1	550	17.4	12.8	14.50	12.00
				2	775	23.6	18.3		
	(C*(8,L)C/T*8V)*B12	FC/MC/PC35B	17	1	515	17.3	12.5	14.75	12.25
				2	760	23.6	18.3		
	(C*9C/T*9V)*B12	FC/MC/PC35B	17	1	550	17.5	12.9	14.75	12.25
				2	815	23.8	18.8		
	(C*(8,L)C/T*8V)*A12	FC/MC/PC36A	14	1	595	17.9	13.4	15.00	12.25
				2	805	23.8	18.7		
	(C*(8,L)C/T*8V)*B12	FC/MC/PC36B	17	1	525	17.3	12.7	14.75	12.50
				2	765	23.8	18.3		
	(C*9C/T*9V)*B12	FC/MC/PC36B	17	1	590	17.9	13.4	15.00	12.25
				2	815	24.0	18.7		
(C*(8,L)C/T*8V)*A12	FC/MC/PC37A	14	1	585	18.0	13.4	14.75	12.25	
			2	805	24.2	18.9			
(C*(8,L)C/T*8V)*B12	FC/MC/PC43B	17	1	515	17.5	12.6	14.75	12.50	
			2	760	24.2	18.5			
(C*9C/T*9V)*B12	FC/MC/PC43B	17	1	550	17.7	13.0	14.75	12.50	
			2	800	24.2	18.9			
(C*(8,L)C/T*8V)*A12	HC30	14	1	550	17.3	12.7	14.50	12.00	
			2	775	23.2	18.1			
(C*(8,L)C/T*8V)*A12	HD36	14	1	595	17.5	12.8	14.50	12.25	
			2	805	23.6	17.9			
(C*(8,L)C/T*8V)*B12	HD36	17	1	515	17.0	11.9	14.25	12.25	
			2	760	23.4	17.5			
(C*9C/T*9V)*B12	HD36	17	1	590	17.5	12.8	14.50	12.25	
			2	815	23.6	17.9			
(C*(8,L)C/T*8V)*A12	UC24A	14	1	590	17.8	13.3	14.75	12.25	
			2	805	23.8	18.5			
(C*(8,L)C/T*8V)*B12	UC24B	17	1	565	17.9	13.3	15.25	12.50	
			2	815	24.0	18.6			
(C*9C/T*9V)*B12	UC24B	17	1	565	17.9	13.3	15.00	12.25	
			2	790	23.8	18.5			

For Notes See Page 14.

**COOLING CAPACITY - With High Efficiency Motor Furnaces (Continued)**

UNIT MODEL	FURNACE MODEL	COIL MODEL <sup>1</sup>	W	COOLING					
				STAGE	RATED CFM	NET MBH		SEER	EER
						TOTAL	SENS.		
<b>1 PH 15 SEER AC WITH HIGH EFFICIENCY FURNACES<sup>2</sup></b>									
AC5B024F3(C)	(C*(8,L)C/T*8V)*A12	UC30A	14	1	590	17.8	13.3	14.75	12.25
				2	805	23.8	18.5		
	(C*(8,L)C/T*8V)*B12	UC30B	17	1	565	17.9	13.3	15.25	12.50
				2	815	24.0	18.6		
	(C*9C/T*9V)*B12	UC30B	17	1	565	17.9	13.3	15.00	12.25
				2	790	23.8	18.5		
	(C*(8,L)C/T*8V)*A12	UC36A	14	1	595	17.0	12.6	14.25	12.00
				2	805	23.0	17.9		
	(C*(8,L)C/T*8V)*B12	UC36B	17	1	525	16.6	12.0	14.25	12.00
				2	765	22.8	17.6		
	(C*9C/T*9V)*B12	UC36B	17	1	590	17.0	12.6	14.25	12.00
				2	815	23.0	17.9		
AC5B036F3(C)	T*(8,L)X*B12	FC/MC/PC35B	17	1	820	24.2	17.4	14.25	11.25
				2	1290	34.2	25.2		
	T*(8,L)X*C16	FC/MC/PC35C	21	1	585	22.8	15.4	14.00	11.75
				2	1105	34.0	24.3		
	T*(8,L)X*C20	FC/MC/PC35C	21	1	750	24.2	17.3	14.25	12.00
				2	1225	34.4	25.2		
	T*9X*B12	FC/MC/PC35B	17	1	760	24.2	17.4	14.00	11.25
				2	1265	34.0	24.9		
	T*9X*C16	FC/MC/PC35C	21	1	675	23.8	16.5	14.50	11.75
				2	1270	34.2	25.2		
	T*9X*C20	FC/MC/PC35C	21	1	790	24.4	17.6	14.25	11.50
				2	1195	34.2	25.1		
	T*(8,L)X*A12	FC/MC/PC36A	14	1	750	24.2	17.2	14.25	11.25
				2	1185	33.6	24.0		
	T*(8,L)X*B12	FC/MC/PC36B	17	1	810	24.4	17.6	14.25	11.50
				2	1255	34.0	24.8		
	T*(8,L)X*C16	FC/MC/PC36C	21	1	635	23.4	16.0	14.50	11.75
				2	1100	34.0	23.9		
	T*(8,L)X*C20	FC/MC/PC36C	21	1	795	24.8	17.9	14.75	11.75
				2	1265	34.0	24.9		
	T*9X*B12	FC/MC/PC36B	17	1	750	24.2	17.3	14.25	11.50
				2	1245	33.8	24.6		
	T*9X*C16	FC/MC/PC36C	21	1	725	24.0	17.0	14.50	11.50
				2	1275	34.0	25.0		
	T*9X*C20	FC/MC/PC36C	21	1	830	24.6	18.0	14.25	11.50
				2	1195	34.2	24.7		
	T*(8,L)X*A12	FC/MC/PC37A	14	1	810	24.0	17.4	14.25	11.50
				2	1290	33.6	25.1		
	T*(8,L)X*B12	FC/MC/PC42B	17	1	840	24.0	17.5	14.25	11.75
				2	1160	34.0	24.3		
T*(8,L)X*C16	FC/MC/PC42C	21	1	680	23.2	16.0	14.25	11.75	
			2	1200	34.0	24.4			
T*(8,L)X*C20	FC/MC/PC42C	21	1	845	24.0	17.5	14.25	12.00	
			2	1270	34.2	25.2			
T*9X*B12	FC/MC/PC42B	17	1	775	23.8	17.0	14.00	11.00	
			2	1275	33.6	24.5			
T*9X*C16	FC/MC/PC42C	21	1	765	24.0	16.9	14.00	11.75	
			2	1260	34.0	24.8			
T*(8,L)X*B12	FC/MC/PC43B	17	1	835	24.8	18.3	14.50	11.50	
			2	1300	34.8	25.9			

For Notes See Page 14.

## COOLING CAPACITY - With High Efficiency Motor Furnaces (Continued)

UNIT MODEL	FURNACE MODEL	COIL MODEL <sup>1</sup>	W	COOLING					
				STAGE	RATED CFM	NET MBH		SEER	EER
						TOTAL	SENS.		
<b>1 PH 15 SEER AC WITH HIGH EFFICIENCY FURNACES<sup>2</sup></b>									
AC5B036F3(C)	T*(8,L)X*C16	FC/MC/PC43C	21	1	615	23.6	16.0	14.60	12.00
				2	1175	35.2	25.4		
	T*(8,L)X*C20	FC/MC/PC43C	21	1	780	24.8	17.8	14.75	12.25
				2	1250	35.4	26.2		
	T*9X*B12	FC/MC/PC43B	17	1	775	25.0	17.9	14.50	11.50
				2	1270	34.8	25.7		
	T*9X*C16	FC/MC/PC43C	21	1	695	24.4	17.0	14.50	11.75
				2	1260	35.0	25.8		
	T*9X*C20	FC/MC/PC43C	21	1	810	24.8	17.9	14.50	12.00
				2	1185	35.2	25.5		
	T*(8,L)X*C16	FC/MC/PC48C	21	1	645	24.0	16.5	14.80	12.25
				2	1185	35.8	25.9		
	T*(8,L)X*C20	FC/MC/PC48C	21	1	810	24.8	18.0	14.75	12.25
				2	1270	35.4	26.3		
	T*9X*C16	FC/MC/PC48C	21	1	720	24.6	17.5	15.00	12.00
				2	1280	35.6	26.4		
	T*9X*C20	FC/MC/PC48C	21	1	830	25.0	18.3	14.75	12.00
				2	1205	35.4	26.1		
	T*9X*D20	FC/MC/PC48D	24	1	870	25.6	19.1	15.45	12.25
				2	1240	35.8	26.3		
	T*(8,L)X*A12	UC36A	14	1	750	23.4	16.5	13.75	11.00
				2	1225	33.0	23.6		
	T*(8,L)X*B12	UC36B	17	1	810	23.4	16.8	13.75	11.25
				2	1255	33.2	24.0		
	T*(8,L)X*C16	UC36C	21	1	635	22.4	15.3	13.75	11.50
				2	1100	33.0	23.3		
	T*(8,L)X*C20	UC36C	21	1	795	23.6	17.0	14.25	11.75
				2	1265	33.4	24.1		
	T*9X*C20	UC36C	21	1	830	23.4	16.9	13.75	11.25
				2	1195	33.4	24.1		
	T*(8,L)X*B12	UC42B	17	1	840	23.6	17.0	14.00	11.50
				2	1160	33.4	23.8		
	T*(8,L)X*C16	UC42C	21	1	680	23.0	15.5	14.00	11.50
				2	1200	33.8	24.2		
	T*(8,L)X*C20	UC42C	21	1	845	23.6	16.9	14.25	11.75
				2	1270	33.8	24.6		
	T*9X*B12	UC42B	17	1	775	23.6	16.6	13.75	11.00
				2	1275	33.2	24.3		
	T*9X*C16	UC42C	21	1	765	23.6	16.6	14.00	11.50
				2	1260	33.6	24.4		
T*(8,L)X*C16	UC48C	21	1	645	22.8	15.6	14.00	11.50	
			2	1185	34.4	24.5			
T*(8,L)X*C20	UC48C	21	1	810	23.6	17.1	14.25	12.00	
			2	1270	34.0	25.1			
T*9X*C16	UC48C	21	1	720	23.6	16.5	14.25	11.75	
			2	1280	34.2	25.4			
T*9X*C20	UC48C	21	1	830	23.8	17.3	14.00	11.50	
			2	1205	34.2	24.9			
T*9X*D20	UC48D	24	1	870	24.6	18.2	14.75	12.00	
			2	1240	34.4	25.5			
(C*(8,L)C/T*8V)*B12	FC/MC/PC35B	17	1	745	24.2	17.3	14.25	11.25	
			2	1220	34.2	24.7			

For Notes See Page 14.

**COOLING CAPACITY - With High Efficiency Motor Furnaces (Continued)**

UNIT MODEL	FURNACE MODEL	COIL MODEL <sup>1</sup>	W	COOLING					
				STAGE	RATED CFM	NET MBH		SEER	EER
						TOTAL	SENS.		
<b>1 PH 15 SEER AC WITH HIGH EFFICIENCY FURNACES<sup>2</sup></b>									
AC5B036F3(C)	(C*(8,L)C/T*8V)*C16	FC/MC/PC35C	21	1	815	24.8	18.0	14.50	11.75
				2	1235	34.2	24.7		
	(C*(8,L)C/T*8V)*C20	FC/MC/PC35C	21	1	960	25.8	19.7	14.25	12.00
				2	1170	34.4	24.7		
	(C*9C/T*9V)*B12	FC/MC/PC35B	17	1	810	24.6	18.0	14.00	11.25
				2	1190	34.0	24.5		
	(C*9C/T*9V)*C16	FC/MC/PC35C	21	1	790	24.8	18.0	14.50	11.50
				2	1215	34.2	24.7		
	(C*9C/T*9V)*C20	FC/MC/PC35C	21	1	760	24.4	17.5	14.25	11.50
				2	1290	34.6	25.7		
	(C*(8,L)C/T*8V)*A12	FC/MC/PC36A	14	1	815	24.6	17.9	14.25	11.25
				2	1190	33.6	24.3		
	(C*(8,L)C/T*8V)*B12	FC/MC/PC36B	17	1	745	24.4	17.3	14.25	11.50
				2	1220	34.0	24.7		
	(C*(8,L)C/T*8V)*C16	FC/MC/PC36C	21	1	805	24.8	18.0	14.50	11.75
				2	1235	34.0	24.5		
	(C*(8,L)C/T*8V)*C20	FC/MC/PC36C	21	1	800	24.8	18.1	14.75	11.75
				2	1240	34.0	24.5		
	(C*9C/T*9V)*B12	FC/MC/PC36B	17	1	800	24.6	18.0	14.25	11.50
				2	1165	33.8	24.5		
	(C*9C/T*9V)*C16	FC/MC/PC36C	21	1	915	25.4	18.8	14.50	11.75
				2	1185	34.0	24.7		
	(C*9C/T*9V)*C20	FC/MC/PC36C	21	1	760	24.6	17.5	14.25	11.50
				2	1290	34.6	25.5		
	(C*(8,L)C/T*8V)*A12	FC/MC/PC37A	14	1	655	24.0	16.7	14.25	11.50
				2	980	33.6	23.3		
	(C*(8,L)C/T*8V)*B12	FC/MC/PC42B	17	1	760	24.0	17.0	14.25	11.75
				2	1175	34.0	24.1		
	(C*(8,L)C/T*8V)*C16	FC/MC/PC42C	21	1	825	24.2	17.4	14.25	12.00
				2	1205	34.0	24.5		
	(C*(8,L)C/T*8V)*C20	FC/MC/PC42C	21	1	735	24.0	17.1	14.25	12.00
				2	1170	34.2	24.3		
	(C*9C/T*9V)*B12	FC/MC/PC42B	17	1	800	24.0	17.3	14.00	11.00
				2	1195	33.6	24.1		
	(C*9C/T*9V)*C16	FC/MC/PC42C	21	1	780	24.0	17.0	14.00	11.75
				2	1205	34.0	24.3		
(C*9C/T*9V)*C20	FC/MC/PC42C	21	1	770	24.0	17.1	14.25	11.50	
			2	1290	34.4	25.5			
(C*(8,L)C/T*8V)*B12	FC/MC/PC43B	17	1	745	24.8	17.6	14.50	11.50	
			2	1210	34.8	25.3			
(C*9C/T*9V)*B12	FC/MC/PC43B	17	1	815	25.2	18.3	14.50	11.50	
			2	1200	34.8	25.3			
(C*(8,L)C/T*8V)*C16	FC/MC/PC43C	21	1	800	25.4	18.4	14.75	12.00	
			2	1205	35.2	25.5			
(C*(8,L)C/T*8V)*C20	FC/MC/PC43C	21	1	745	24.8	17.6	14.75	12.25	
			2	1190	35.4	25.7			
(C*9C/T*9V)*C16	FC/MC/PC43C	21	1	815	25.2	18.3	14.50	11.75	
			2	1240	35.0	25.3			
(C*9C/T*9V)*C20	FC/MC/PC43C	21	1	780	24.8	17.6	14.50	12.00	
			2	1200	35.2	25.5			
(C*(8,L)C/T*8V)*C16	FC/MC/PC48C	21	1	810	25.4	18.6	15.00	12.25	
			2	1210	35.8	26.3			

For Notes See Page 14.

## COOLING CAPACITY - With High Efficiency Motor Furnaces (Continued)

UNIT MODEL	FURNACE MODEL	COIL MODEL <sup>1</sup>	W	COOLING					
				STAGE	RATED CFM	NET MBH		SEER	EER
						TOTAL	SENS.		
<b>1 PH 15 SEER AC WITH HIGH EFFICIENCY FURNACES<sup>2</sup></b>									
AC5B036F3(C)	(C*(8,L)C/T*8V)*C20	FC/MC/PC48C	21	1	720	24.8	17.6	14.75	12.50
				2	1155	35.4	25.7		
	(C*9C/T*9V)*C16	FC/MC/PC48C	21	1	780	25.4	18.6	15.00	12.25
				2	1195	35.6	26.1		
	(C*9C/T*9V)*C20	FC/MC/PC48C	21	1	745	25.0	17.9	14.75	12.00
				2	1330	35.8	27.1		
	(C*(8,L)C/T*8V)*C16	HC42	21	1	800	25.2	18.2	14.75	12.00
				2	1205	35.2	25.7		
	(C*(8,L)C/T*8V)*C20	HC42	21	1	745	24.8	17.7	14.75	12.25
				2	1190	35.2	25.7		
	(C*9C/T*9V)*C16	HC42	21	1	815	25.2	18.2	14.50	11.75
				2	1240	35.0	25.5		
	(C*9C/T*9V)*C20	HC42	21	1	780	25.2	18.2	14.75	12.00
				2	1200	35.2	25.7		
	(C*(8,L)C/T*8V)*B12	HD48	17	1	750	25.0	17.5	14.50	11.75
				2	1210	35.2	25.3		
	(C*9C/T*9V)*B12	HD48	17	1	710	24.6	17.3	14.50	11.75
				2	1150	34.8	24.7		
	(C*(8,L)C/T*8V)*C16	HD48	21	1	810	25.4	18.4	15.00	12.25
				2	1210	35.6	25.5		
	(C*(8,L)C/T*8V)*C20	HD48	21	1	720	24.8	17.3	14.75	12.25
				2	1155	35.2	25.3		
	(C*9C/T*9V)*C16	HD48	21	1	780	25.4	18.4	14.75	12.00
				2	1195	35.4	25.5		
	(C*9C/T*9V)*C20	HD48	21	1	745	25.0	17.7	14.50	11.75
				2	1320	35.4	26.5		
	(C*(8,L)C/T*8V)*A12	UC36A	14	1	815	23.8	17.1	13.75	11.00
				2	1190	33.0	23.5		
	(C*(8,L)C/T*8V)*B12	UC36B	17	1	745	23.4	16.6	13.75	11.25
				2	1220	33.2	23.9		
	(C*(8,L)C/T*8V)*C16	UC36C	21	1	805	24.0	17.2	14.00	11.50
				2	1235	33.2	23.9		
(C*(8,L)C/T*8V)*C20	UC36C	21	1	800	24.0	17.2	14.25	11.50	
			2	1240	33.4	23.9			
(C*9C/T*9V)*B12	UC36B	17	1	800	23.8	17.1	13.75	11.25	
			2	1165	33.2	23.7			
(C*9C/T*9V)*C16	UC36C	21	1	915	24.4	18.1	13.75	11.50	
			2	1185	33.2	23.7			
(C*9C/T*9V)*C20	UC36C	21	1	760	23.4	16.7	13.75	11.25	
			2	1260	33.6	24.9			
(C*(8,L)C/T*8V)*B12	UC42B	17	1	760	23.6	16.6	14.00	11.50	
			2	1175	33.4	23.7			
(C*(8,L)C/T*8V)*C16	UC42C	21	1	825	24.0	17.0	14.00	11.75	
			2	1205	33.8	24.1			
(C*(8,L)C/T*8V)*C20	UC42C	21	1	735	23.6	16.6	14.25	12.00	
			2	1170	33.8	23.9			
(C*9C/T*9V)*B12	UC42B	17	1	800	23.8	16.9	13.75	11.00	
			2	1195	33.2	23.7			
(C*9C/T*9V)*C16	UC42C	21	1	780	23.6	16.6	14.00	11.50	
			2	1205	33.6	23.9			
(C*9C/T*9V)*C20	UC42C	21	1	770	23.6	16.7	14.00	11.50	
			2	1280	34.2	25.1			

For Notes See Page 14.

**COOLING CAPACITY - With High Efficiency Motor Furnaces (Continued)**

UNIT MODEL	FURNACE MODEL	COIL MODEL <sup>1</sup>	W	COOLING					
				STAGE	RATED CFM	NET MBH		SEER	EER
						TOTAL	SENS.		
<b>1 PH 15 SEER AC WITH HIGH EFFICIENCY FURNACES<sup>2</sup></b>									
AC5B036F3(C)	(C*(8,L)C/T*8V)*C16	UC48C	21	1	810	24.2	17.6	14.25	12.00
				2	1210	34.4	25.1		
	(C*(8,L)C/T*8V)*C20	UC48C	21	1	720	23.6	16.6	14.25	12.00
				2	1155	34.0	24.3		
	(C*9C/T*9V)*C16	UC48C	21	1	780	24.2	17.6	14.25	11.75
				2	1195	34.2	25.1		
	(C*9C/T*9V)*C20	UC48C	21	1	755	23.8	17.0	14.00	11.50
				2	1290	34.6	25.9		
AC5B048F3(C)	T*(8,L)X*C16	FC/MC/PC48C	21	1	1115	33.0	24.5	14.50	11.75
				2	1600	45.5	34.1		
	T*(8,L)X*C20	FC/MC/PC48C	21	1	855	33.0	23.0	14.50	11.75
				2	1660	45.5	34.5		
	T*9X*C20	FC/MC/PC48C	21	1	1215	33.0	25.0	14.50	11.75
				2	1615	46.0	34.5		
	T*9X*D20	FC/MC/PC48D	24	1	1250	33.2	25.4	14.50	11.75
				2	1635	46.0	34.5		
	T*(8,L)X*C16	FC/PC60C	21	1	1120	33.0	24.5	14.75	12.00
				2	1605	46.0	34.3		
	T*(8,L)X*C20	FC/MC/PC60D	21	1	860	33.2	23.3	16.00	12.00
				2	1595	47.5	35.4		
	T*9X*C20	FC/PC60C	21	1	1215	32.8	25.6	14.50	11.75
				2	1625	45.5	34.9		
	T*9X*D20	FC/MC/PC60D	24	1	1320	32.8	25.5	14.50	11.75
				2	1490	46.0	33.5		
	T*(8,L)X*C16	FC/MC62D	21	1	1115	35.6	26.5	16.50	12.25
				2	1610	48.5	36.4		
	T*(8,L)X*C20	FC/MC62D	21	1	835	33.0	23.1	16.00	12.25
				2	1665	48.5	37.0		
	T*9X*C20	FC/MC62D	21	1	1220	36.2	27.5	16.50	12.25
				2	1595	48.0	36.2		
	T*9X*D20	FC/MC62D	24	1	1240	33.0	25.1	14.50	12.00
				2	1610	46.0	34.7		
	T*9X*D20	HD48	24	1	1240	32.6	24.4	14.25	11.75
				2	1645	45.5	33.5		
	T*(8,L)X*C16	HD60	21	1	1115	33.0	25.7	14.75	11.75
				2	1610	45.5	34.1		
	T*(8,L)X*C16	UC48C	21	1	1115	31.4	23.8	14.00	11.50
				2	1600	44.0	33.7		
	T*(8,L)X*C20	UC48C	21	1	855	31.2	21.9	13.75	11.50
				2	1515	44.0	32.2		
T*9X*C20	UC48C	21	1	1215	31.4	23.5	14.00	11.25	
			2	1615	44.0	33.1			
T*9X*D20	UC48D	24	1	1250	31.4	24.4	14.00	11.50	
			2	1635	44.5	33.7			
T*(8,L)X*C16	UC60C	21	1	1120	31.4	23.0	14.00	11.50	
			2	1605	44.5	32.8			
T*(8,L)X*C20	UC60D	21	1	860	32.0	22.3	15.50	12.25	
			2	1540	46.5	34.0			
T*9X*D20	UC60D	24	1	1320	31.4	24.0	13.75	11.50	
			2	1490	44.5	32.2			
(C*(8,L)C/T*8V)*C16	FC/MC/PC48C	21	1	1035	33.0	23.8	14.50	11.75	
			2	1615	45.5	34.4			

For Notes See Page 14.

## COOLING CAPACITY - With High Efficiency Motor Furnaces (Continued)

UNIT MODEL	FURNACE MODEL	COIL MODEL <sup>1</sup>	W	COOLING					
				STAGE	RATED CFM	NET MBH		SEER	EER
						TOTAL	SENS.		
<b>1 PH 15 SEER AC WITH HIGH EFFICIENCY FURNACES<sup>2</sup></b>									
AC5B048F3(C)	(C*(8,L)C/T*8V)*C20	FC/MC/PC48C	21	1	1080	33.0	23.6	14.50	11.75
				2	1640	45.5	34.4		
	(C*9C/T*9V)*C16	FC/MC/PC48C	21	1	1050	33.0	23.8	14.50	11.75
				2	1590	46.0	34.1		
	(C*9C/T*9V)*C20	FC/MC/PC48C	21	1	1055	33.0	23.8	14.50	11.75
				2	1655	46.0	34.1		
	(C*9C/T*9V)*D20	FC/MC/PC48D	24	1	1060	33.2	24.0	14.50	11.75
				2	1645	46.0	34.6		
	(C*(8,L)C/T*8V)*C16	FC/PC60C	21	1	1035	33.0	23.6	14.75	12.00
				2	1625	46.0	34.6		
	(C*(8,L)C/T*8V)*C20	FC/PC60C	21	1	1015	33.0	23.6	14.75	12.25
				2	1605	46.0	34.8		
	(C*9C/T*9V)*C16	FC/PC60C	21	1	1050	32.8	23.6	14.50	11.75
				2	1590	45.5	34.6		
	(C*9C/T*9V)*C20	FC/PC60C	21	1	1055	32.8	23.6	14.50	11.75
				2	1655	45.5	34.6		
	(C*9C/T*9V)*D20	FC/MC/PC60D	24	1	1070	32.8	23.6	14.50	11.75
				2	1615	46.0	34.6		
	(C*9C/T*9V)*D20	FC/MC62D	24	1	1085	33.0	24.0	14.50	12.00
				2	1630	46.0	35.0		
	(C*9C/T*9V)*D20	HC60	24	1	1070	31.6	22.8	14.00	11.50
				2	1615	44.5	33.8		
	(C*(8,L)C/T*8V)*C16	HD48	21	1	1035	32.8	23.4	14.50	11.75
				2	1615	45.5	34.1		
	(C*(8,L)C/T*8V)*C20	HD48	21	1	1080	32.6	23.4	14.25	11.75
				2	1640	45.5	33.9		
	(C*9C/T*9V)*C16	HD48	21	1	1050	32.8	23.4	14.25	11.50
				2	1590	45.0	33.7		
	(C*9C/T*9V)*C20	HD48	21	1	1055	32.8	23.4	14.50	11.50
				2	1655	45.0	33.7		
	(C*9C/T*9V)*D20	HD48	24	1	1060	32.6	23.4	14.25	11.75
				2	1645	45.5	33.9		
(C*(8,L)C/T*8V)*C16	HD60	21	1	1035	33.0	23.8	14.75	11.75	
			2	1625	45.5	34.6			
(C*(8,L)C/T*8V)**C20	HD60	21	1	1015	33.2	23.8	15.00	12.00	
			2	1605	46.0	34.6			
(C*9C/T*9V)*C16	HD60	21	1	1050	33.0	23.6	14.50	11.75	
			2	1590	45.5	34.4			
(C*9C/T*9V)*C20	HD60	21	1	1055	33.0	23.8	14.50	11.75	
			2	1655	45.5	34.4			
(C*9C/T*9V)*D20	HD60	24	1	1070	33.0	23.6	14.50	11.75	
			2	1615	45.5	34.4			
(C*(8,L)C/T*8V)*C16	UC48C	21	1	1035	31.4	22.8	14.00	11.50	
			2	1615	44.0	33.2			
(C*(8,L)C/T*8V)*C20	UC48C	21	1	1080	31.2	22.8	13.75	11.50	
			2	1640	44.0	33.2			
(C*9C/T*9V)*C16	UC48C	21	1	1050	31.4	22.6	13.75	11.25	
			2	1590	44.0	33.0			
(C*9C/T*9V)*C20	UC48C	21	1	1055	31.4	22.6	14.00	11.25	
			2	1650	44.0	33.0			
(C*9C/T*9V)*D20	UC48D	24	1	1060	31.4	23.0	14.00	11.50	
			2	1645	44.5	33.1			

For Notes See Page 14.

**COOLING CAPACITY - With High Efficiency Motor Furnaces (Continued)**

UNIT MODEL	FURNACE MODEL	COIL MODEL <sup>1</sup>	W	COOLING					
				STAGE	RATED CFM	NET MBH		SEER	EER
						TOTAL	SENS.		
<b>1 PH 15 SEER AC WITH HIGH EFFICIENCY FURNACES<sup>2</sup></b>									
AC5B048F3(C)	(C*(8,L)C/T*8V)*C16	UC60C	21	1	1035	31.4	22.4	14.00	11.50
				2	1625	44.5	32.9		
	(C*(8,L)C/T*8V)*C20	UC60C	21	1	1015	31.6	22.6	14.25	11.75
				2	1605	44.5	33.1		
	(C*9C/T*9V)*C16	UC60C	21	1	1050	31.4	22.4	13.75	11.50
				2	1590	44.5	32.9		
	(C*9C/T*9V)*C20	UC60C	21	1	1055	31.4	22.4	14.00	11.50
				2	1655	44.5	32.9		
	(C*9C/T*9V)*D20	UC60D	24	1	1070	31.4	22.4	13.75	11.50
				2	1615	44.5	32.9		
AC5B060F3(C)	T*(8,L)X*C16	FC/PC60C	21	1	1120	38.0	26.5	13.25	10.50
				2	1605	52.5	36.7		
	T*(8,L)X*C20	FC/MC/PC60D	21	1	860	36.5	23.7	13.00	10.50
				2	1690	53.0	36.9		
	T*9X*C20	FC/PC60C	21	1	1215	37.3	27.1	13.00	10.50
				2	1625	52.0	37.0		
	T*9X*D20	FC/MC/PC60D	24	1	1320	38.0	27.2	13.25	10.50
				2	1730	53.0	37.8		
	T*9X*C20	FC/MC/PC60D	21	1	1295	39.5	28.0	13.50	10.50
				2	1645	53.0	37.2		
	T*9X*C20	FC/MC62D	21	1	1220	39.5	27.7	13.50	10.75
				2	1595	53.5	37.6		
	T*9X*D20	FC/MC62D	24	1	1240	38.0	27.0	13.25	10.50
				2	1645	53.0	37.8		
	T*9X*D20	HD60	24	1	1240	37.6	27.7	13.00	10.50
				2	1645	52.5	36.1		
	T*9X*D20	UC60D	24	1	1320	38.6	27.3	13.25	10.50
				2	1730	52.5	37.4		
	T*9X*C20	UC60D	21	1	1295	38.0	27.0	13.25	10.25
				2	1645	52.0	36.4		
	(C*(8,L)C/T*8V)*C20	FC/PC60C	21	1	1015	37.5	25.7	13.50	10.75
				2	1605	53.0	37.4		
	(C*9C/T*9V)*C20	FC/PC60C	21	1	1055	37.3	25.5	13.25	10.50
				2	1655	52.5	37.2		
	(C*9C/T*9V)*D20	FC/MC/PC60D	24	1	1070	38.0	26.1	13.25	10.50
				2	1615	53.0	37.2		
	(C*9C/T*9V)*D20	FC/MC62D	24	1	1085	38.0	26.1	13.25	10.50
				2	1630	53.0	37.6		
(C*(8,L)C/T*8V)*C20	HD60	21	1	1015	38.0	25.5	13.50	10.75	
			2	1605	53.5	37.5			
(C*9C/T*9V)*D20	HD60	24	1	1070	38.0	26.1	13.25	10.50	
			2	1615	52.5	37.0			

1. MC coils available with a factory installed horizontal drain pan. See price pages for specific model number.

2. Variable speed furnaces have B.O.D (Blower on Delay) standard.

**ACCESSORIES\***

**Hard Start Kit (024-31994-000, 024-31995-000)** - Provides increased starting torque for areas with low voltage.

**TXV Kits** - 1TVM9 series thermal expansion valves precisely meter refrigerant for optimum performance

**Dehumidistat (2HU16700124)** - Provides increased dehumidification when matched with variable speed furnace or air handler.

**Thermostats** - Compatible thermostat controls are available through accessory sourcing. For optimum performance and installation, refer to the UPGNET "Low Voltage Wiring Diagram" document to select and apply controls.

**SOUND POWER RATINGS\***

UNIT MODEL	(dBA)
024	71
036	73
048	72
060	74

\* Rated in accordance with ARI 270-95 Standards.

<b>COOLING PERFORMANCE DATA - LOW CFM 1-STAGE OPERATION</b>																
<b>OUTDOOR UNIT MODEL NO.</b>		<b>AC5B024F3(C)</b>														
<b>INDOOR COIL MODEL NO.</b>		<b>FC/MC36B + MV12B</b>														
<b>CONDENSER ENTERING AIR TEMPERATURE</b>	ID CFM	550					600					650				
	ID DB (°F)	80	80	75	80	80	80	80	75	80	80	80	80	75	80	80
	ID WB (°F)	57	62	62	67	72	57	62	62	67	72	57	62	62	67	72
65	T.C.	16.5	17.0	16.4	15.3	19.2	17.1	17.2	16.5	17.2	19.6	17.6	17.5	16.6	19.0	20.0
	S.C.	17.0	16.3	13.7	11.9	10.9	17.5	17.1	14.0	13.6	11.2	17.9	18.0	14.2	15.2	11.5
	K.W.	0.8	0.7	0.7	0.5	0.7	0.7	0.7	0.8	0.6	0.7	0.6	0.7	0.8	0.7	0.7
75	T.C.	15.8	16.1	15.4	17.2	18.3	16.3	16.4	15.7	17.6	18.6	16.9	16.7	16.0	18.0	18.9
	S.C.	16.2	15.7	13.1	13.4	10.6	16.7	16.5	13.5	14.0	10.8	17.2	17.3	13.9	14.6	11.1
	K.W.	0.9	0.9	0.9	0.9	0.8	0.8	0.8	0.9	0.9	0.9	0.8	0.8	0.9	0.9	0.9
85	T.C.	15.1	15.2	14.5	19.0	17.4	15.6	15.6	15.0	18.1	17.6	16.2	15.9	15.4	17.1	17.7
	S.C.	15.4	15.2	12.5	14.9	10.3	15.9	15.9	13.0	14.5	10.5	16.4	16.7	13.5	14.0	10.6
	K.W.	1.0	1.0	1.0	1.3	1.0	1.0	1.0	1.0	1.1	1.0	0.9	0.9	1.0	1.0	1.0
95	T.C.	14.4	14.3	13.5	20.9	16.5	14.9	14.7	14.2	18.5	16.6	15.5	15.1	14.8	16.1	16.6
	S.C.	14.6	14.6	11.9	16.4	10.0	15.2	15.3	12.5	14.9	10.1	15.7	16.0	13.2	13.3	10.2
	K.W.	1.2	1.2	1.2	1.6	1.1	1.1	1.1	1.2	1.4	1.2	1.1	1.1	1.2	1.2	1.2
105	T.C.	13.7	13.3	12.5	19.5	15.5	14.1	13.8	13.0	17.2	15.4	14.6	14.2	13.5	15.0	15.3
	S.C.	13.9	13.7	11.2	15.7	9.6	14.4	14.4	11.9	14.3	9.7	14.8	15.0	12.5	12.9	9.8
	K.W.	1.4	1.4	1.4	1.9	1.3	1.3	1.3	1.4	1.6	1.3	1.3	1.3	1.4	1.4	1.4
115	T.C.	13.0	12.4	11.5	18.1	14.4	13.4	12.9	11.9	16.0	14.3	13.8	13.4	12.3	13.9	14.1
	S.C.	13.1	12.9	10.6	15.0	9.3	13.6	13.5	11.2	13.7	9.4	14.0	14.1	11.9	12.5	9.5
	K.W.	1.6	1.6	1.6	2.1	1.5	1.5	1.5	1.5	1.8	1.5	1.5	1.5	1.5	1.5	1.6
125	T.C.	12.3	11.4	10.5	16.7	13.3	12.6	12.0	10.7	14.8	13.1	13.0	12.6	11.0	12.8	12.9
	S.C.	12.4	12.1	9.9	14.3	8.9	12.8	12.6	10.6	13.2	9.0	13.2	13.1	11.3	12.1	9.1
	K.W.	1.7	1.8	1.7	2.4	1.7	1.7	1.7	1.7	2.1	1.7	1.7	1.7	1.7	1.7	1.7

NOTE: ALL CAPACITIES ARE NET (KBTUH) WITH INDOOR FAN HEAT ALREADY DEDUCTED AT 1250 BTUH/1000 CFM.

### Multipliers for determining the performance with other indoor sections.

NOTE: For dry bulb temperatures different than those listed (between 73-87 F), sensible capacity increases by 1060 BTUH per 1000 CFM per degree above the listed temperature and decreases by 1060 BTUH per 1000 CFM per degree below the listed temperature.

NOTE: KW RATING IS FOR OUTDOOR AND INDOOR UNITS.

### LOW CFM

Air Handler	Coil	T.C.	S.C.	KW
AV*24	-	0.95	0.93	1.00
AV*36	-	0.95	0.92	0.98
AHX18	-	0.94	0.91	0.99
AHX24	-	0.95	0.92	1.00
AHX30	-	0.96	0.94	1.00
AHX36	-	0.95	0.91	1.00

Continued on next page.

Furnace	Coil	T.C.	S.C.	KW
T*(8,L)X*A12	FC/MC/PC24A	0.96	0.94	0.99
T*(8,L)X*B12	FC/MC/PC24B	0.96	0.98	0.98
T*9X*B12	FC/MC/PC24B	0.96	0.96	0.97
T*(8,L)X*B12	FC/MC/PC30B	0.96	0.98	0.96
T*9X*B12	FC/MC/PC30B	0.96	0.96	0.97
T*(8,L)X*A12	FC/MC/PC32A	0.94	0.91	0.97
T*(8,L)X*B12	FC/MC/PC35B	0.94	0.98	0.97
T*(8,L)X*C16	FC/MC/PC35C	0.98	1.00	1.01
T*(8,L)X*C20	FC/MC/PC35C	1.02	1.12	1.05
T*9X*B12	FC/MC/PC35B	0.95	0.96	0.98
T*9X*C16	FC/MC/PC35C	0.98	0.99	1.01
T*(8,L)X*A12	FC/MC/PC36A	0.97	0.95	1.00
T*(8,L)X*B12	FC/MC/PC36B	0.94	0.97	0.97
T*(8,L)X*C16	FC/MC/PC36C	1.01	1.04	1.02
T*9X*B12	FC/MC/PC36B	0.97	0.98	0.98
T*9X*C16	FC/MC/PC36C	1.01	1.04	1.02
T*(8,L)X*A12	FC/MC/PC37A	0.97	1.00	0.99
T*(8,L)X*B12	FC/MC/PC43B	0.95	1.00	0.96
T*9X*C16	FC/MC/PC43C	1.01	1.03	1.02
T*(8,L)X*C16	HD36	0.99	1.00	1.00
T*(8,L)X*A12	UC24A	0.96	0.94	1.00
T*(8,L)X*B12	UC24B	0.97	0.99	0.96
T*9X*B12	UC24B	0.97	0.97	0.98
T*(8,L)X*A12	UC30A	0.96	0.94	1.00
T*(8,L)X*B12	UC30B	0.97	0.99	0.96
T*9X*B12	UC30B	0.97	0.97	0.98
T*(8,L)X*B12	UC36B	0.90	0.92	0.97
T*(8,L)X*C16	UC36C	0.96	0.99	1.02
T*9X*B12	UC36B	0.92	0.91	0.99

Furnace	Coil	T.C.	S.C.	KW
T*9X*C16	UC36C	0.96	0.98	1.01
(C*(8,L)C/T*8V)*A12	FC/MC/PC24A	0.99	0.99	0.98
(C*(8,L)C/T*8V)*B12	FC/MC/PC24B	0.99	0.99	0.96
(C*9C/T*9V)*B12	FC/MC/PC24B	0.99	0.99	0.97
(C*(8,L)C/T*8V)*A12	FC/MC/PC30A	0.99	0.99	0.98
(C*(8,L)C/T*8V)*B12	FC/MC/PC30B	0.99	0.99	0.96
(C*9C/T*9V)*B12	FC/MC/PC30B	0.99	0.99	0.97
(C*(8,L)C/T*8V)*A12	FC/MC/PC32A	0.97	0.95	0.98
(C*(8,L)C/T*8V)*B12	FC/MC/PC35B	0.97	0.93	0.96
(C*9C/T*9V)*B12	FC/MC/PC35B	0.98	0.96	0.97
(C*(8,L)C/T*8V)*A12	FC/MC/PC36A	1.00	1.00	0.97
(C*(8,L)C/T*8V)*B12	FC/MC/PC36B	0.97	0.95	0.96
(C*9C/T*9V)*B12	FC/MC/PC36B	1.00	0.99	0.97
(C*(8,L)C/T*8V)*A12	FC/MC/PC37A	1.00	0.99	0.98
(C*(8,L)C/T*8V)*B12	FC/MC/PC43B	0.98	0.94	0.96
(C*9C/T*9V)*B12	FC/MC/PC43B	0.99	0.97	0.97
(C*(8,L)C/T*8V)*A12	HC30	0.97	0.94	0.98
(C*(8,L)C/T*8V)*A12	HD36	0.98	0.95	0.97
(C*(8,L)C/T*8V)*B12	HD36	0.95	0.89	0.96
(C*9C/T*9V)*B12	HD36	0.98	0.95	0.97
(C*(8,L)C/T*8V)*A12	UC24A	1.00	0.99	0.98
(C*(8,L)C/T*8V)*B12	UC24B	1.00	0.99	0.96
(C*9C/T*9V)*B12	UC24B	1.00	0.99	0.97
(C*(8,L)C/T*8V)*A12	UC30A	1.00	0.99	0.98
(C*(8,L)C/T*8V)*B12	UC30B	1.00	0.99	0.96
(C*9C/T*9V)*B12	UC30B	1.00	0.99	0.97
(C*(8,L)C/T*8V)*A12	UC36A	0.95	0.94	0.97
(C*(8,L)C/T*8V)*B12	UC36B	0.93	0.89	0.96
(C*9C/T*9V)*B12	UC36B	0.95	0.94	0.97

<b>COOLING PERFORMANCE DATA - HIGH CFM 2-STAGE OPERATION</b>																	
<b>OUTDOOR UNIT MODEL NO.</b>		<b>AC5B024F3(C)</b>															
<b>INDOOR COIL MODEL NO.</b>		<b>FC/MC36B + MV12B</b>															
<b>CONDENSER ENTERING AIR TEMPERATURE</b>	<b>ID CFM</b>	<b>700</b>					<b>800</b>					<b>900</b>					
	<b>ID DB (°F)</b>	80	80	75	80	80	80	80	75	80	80	80	80	75	80	80	
	<b>ID WB (°F)</b>	57	62	62	67	72	57	62	62	67	72	57	62	62	67	72	
65	T.C.	24.4	25.4	24.4	27.1	28.8	25.2	25.7	24.8	27.4	29.1	26.0	26.0	25.2	27.8	29.3	
	S.C.	24.4	23.9	19.6	19.7	15.7	25.1	24.7	20.3	20.3	16.1	25.9	25.6	21.0	21.0	16.4	
	K.W.	1.3	24.1	1.3	1.4	1.4	1.3	12.7	1.3	1.4	1.4	1.3	1.3	1.3	1.4	1.4	
75	T.C.	23.7	24.2	23.3	26.0	27.5	24.4	24.6	23.7	26.3	27.7	25.1	25.1	24.1	26.6	27.9	
	S.C.	23.6	23.1	19.0	19.2	15.2	24.3	24.0	19.7	19.9	15.6	25.0	24.8	20.4	20.5	15.9	
	K.W.	1.5	16.7	1.5	1.5	1.6	1.5	9.1	1.5	1.5	1.6	1.5	1.5	1.5	1.5	1.6	
85	T.C.	23.0	22.9	22.2	24.9	26.1	23.6	23.5	22.6	25.1	26.3	24.2	24.1	22.9	25.4	26.6	
	S.C.	22.9	22.2	18.4	18.8	14.6	23.4	23.2	19.1	19.4	15.1	24.0	24.1	19.8	20.1	15.5	
	K.W.	1.7	9.2	1.7	1.7	1.8	1.7	5.5	1.7	1.7	1.8	1.7	1.7	1.7	1.7	1.8	
95	T.C.	22.3	21.7	21.2	23.8	24.8	22.8	22.4	21.5	24.0	25.0	23.3	23.2	21.8	24.2	25.2	
	S.C.	22.1	21.4	17.9	18.4	14.1	22.6	22.4	18.5	19.0	14.6	23.0	23.4	19.2	19.6	15.0	
	K.W.	1.9	1.8	1.9	1.9	2.0	1.9	1.9	1.9	1.9	2.0	1.9	1.9	1.9	1.9	2.0	
105	T.C.	21.1	20.4	19.7	22.1	23.0	21.6	21.1	20.1	22.4	23.2	22.1	21.7	20.3	22.7	23.4	
	S.C.	21.0	20.4	17.0	17.5	13.5	21.4	21.2	17.6	18.1	13.9	21.8	22.0	18.3	18.7	14.3	
	K.W.	2.2	2.1	2.2	2.2	2.3	2.2	2.2	2.2	2.2	2.3	2.2	2.2	2.2	2.2	2.3	
115	T.C.	20.0	19.2	18.4	20.6	21.2	20.5	19.8	18.7	20.9	21.5	20.9	20.2	19.0	21.1	21.7	
	S.C.	20.0	19.5	16.1	16.7	13.0	20.3	20.1	16.8	17.3	13.3	20.7	20.6	17.4	17.8	13.7	
	K.W.	2.5	2.4	2.5	2.5	2.6	2.5	2.5	2.5	2.5	2.5	2.5	2.5	2.5	2.5	2.5	
125	T.C.	18.9	18.0	17.0	19.0	19.5	19.3	18.4	17.3	19.3	19.8	19.7	18.8	17.6	19.6	20.0	
	S.C.	18.9	18.6	15.2	15.9	12.4	19.2	18.9	15.9	16.5	12.7	19.5	19.3	16.6	17.0	13.0	
	K.W.	2.8	2.7	2.7	2.8	2.8	2.8	2.7	2.7	2.8	2.8	2.8	2.8	2.8	2.8	2.8	

NOTE: ALL CAPACITIES ARE NET (KBTUH) WITH INDOOR FAN HEAT ALREADY DEDUCTED AT 1250 BTUH/1000 CFM.

### Multipliers for determining the performance with other indoor sections.

NOTE: For dry bulb temperatures different than those listed (between 73-87 F), sensible capacity increases by 1060 BTUH per 1000 CFM per degree above the listed temperature and decreases by 1060 BTUH per 1000 CFM per degree below the listed temperature.

NOTE: KW RATING IS FOR OUTDOOR AND INDOOR UNITS.

### HIGH CFM

<b>Air Handler</b>	<b>Coil</b>	<b>T.C.</b>	<b>S.C.</b>	<b>KW</b>
AV*24	-	0.98	0.99	1.00
AV*36	-	1.00	0.99	0.97
AHX18	-	0.98	0.98	0.99
AHX24	-	0.98	0.99	1.00
AHX30	-	1.00	1.02	0.99
AHX36	-	1.00	1.02	1.03

Continued on next page.

Furnace	Coil	T.C.	S.C.	KW
T*(8,L)X*A12	FC/MC/PC24A	0.99	0.99	1.00
T*(8,L)X*B12	FC/MC/PC24B	0.99	1.01	0.98
T*9X*B12	FC/MC/PC24B	0.99	0.99	1.00
T*(8,L)X*B12	FC/MC/PC30B	0.99	1.01	0.98
T*9X*B12	FC/MC/PC30B	0.99	0.99	1.00
T*(8,L)X*A12	FC/MC/PC32A	0.98	1.00	1.02
T*(8,L)X*B12	FC/MC/PC35B	0.98	1.02	1.00
T*(8,L)X*C16	FC/MC/PC35C	1.02	1.06	1.03
T*(8,L)X*C20	FC/MC/PC35C	1.03	1.06	1.04
T*9X*B12	FC/MC/PC35B	0.99	1.00	1.00
T*9X*C16	FC/MC/PC35C	0.99	1.00	0.98
T*(8,L)X*A12	FC/MC/PC36A	0.99	1.02	1.00
T*(8,L)X*B12	FC/MC/PC36B	0.99	1.02	0.98
T*(8,L)X*C16	FC/MC/PC36C	1.02	1.06	0.99
T*9X*B12	FC/MC/PC36B	0.99	1.00	1.00
T*9X*C16	FC/MC/PC36C	1.01	1.03	0.98
T*(8,L)X*A12	FC/MC/PC37A	1.01	1.04	1.02
T*(8,L)X*B12	FC/MC/PC43B	1.01	1.05	1.00
T*9X*C16	FC/MC/PC43C	1.02	1.03	0.99
T*(8,L)X*C16	HD36	1.01	1.01	0.98
T*(8,L)X*A12	UC24A	0.99	1.00	1.00
T*(8,L)X*B12	UC24B	1.00	1.02	0.99
T*9X*B12	UC24B	0.99	0.99	1.00
T*(8,L)X*A12	UC30A	0.99	1.00	1.00
T*(8,L)X*B12	UC30B	1.00	1.02	0.99
T*9X*B12	UC30B	0.99	0.99	1.00
T*(8,L)X*B12	UC36B	0.95	0.97	0.98
T*(8,L)X*C16	UC36C	0.98	1.02	1.00
T*9X*B12	UC36B	0.96	0.96	0.99

Furnace	Coil	T.C.	S.C.	KW
T*9X*C16	UC36C	0.98	0.99	0.99
(C*(8,L)C/T*8V)*A12	FC/MC/PC24A	1.00	1.02	1.00
(C*(8,L)C/T*8V)*B12	FC/MC/PC24B	1.00	1.02	0.98
(C*9C/T*9V)*B12	FC/MC/PC24B	1.00	1.02	1.00
(C*(8,L)C/T*8V)*A12	FC/MC/PC30A	1.00	1.02	1.00
(C*(8,L)C/T*8V)*B12	FC/MC/PC30B	1.00	1.02	0.98
(C*9C/T*9V)*B12	FC/MC/PC30B	1.00	1.02	1.00
(C*(8,L)C/T*8V)*A12	FC/MC/PC32A	1.00	1.02	1.00
(C*(8,L)C/T*8V)*B12	FC/MC/PC35B	1.00	1.01	0.99
(C*9C/T*9V)*B12	FC/MC/PC35B	1.00	1.04	1.01
(C*(8,L)C/T*8V)*A12	FC/MC/PC36A	1.00	1.03	1.00
(C*(8,L)C/T*8V)*B12	FC/MC/PC36B	1.00	1.01	0.98
(C*9C/T*9V)*B12	FC/MC/PC36B	1.00	1.03	0.99
(C*(8,L)C/T*8V)*A12	FC/MC/PC37A	1.00	1.03	1.01
(C*(8,L)C/T*8V)*B12	FC/MC/PC43B	1.00	1.01	0.99
(C*9C/T*9V)*B12	FC/MC/PC43B	1.00	1.03	1.00
(C*(8,L)C/T*8V)*A12	HC30	1.00	1.02	1.00
(C*(8,L)C/T*8V)*A12	HD36	1.00	1.00	0.99
(C*(8,L)C/T*8V)*B12	HD36	1.00	0.98	0.98
(C*9C/T*9V)*B12	HD36	1.00	1.00	0.99
(C*(8,L)C/T*8V)*A12	UC24A	1.00	1.02	1.00
(C*(8,L)C/T*8V)*B12	UC24B	1.00	1.02	0.99
(C*9C/T*9V)*B12	UC24B	1.00	1.02	1.00
(C*(8,L)C/T*8V)*A12	UC30A	1.00	1.02	1.00
(C*(8,L)C/T*8V)*B12	UC30B	1.00	1.02	0.99
(C*9C/T*9V)*B12	UC30B	1.00	1.02	1.00
(C*(8,L)C/T*8V)*A12	UC36A	0.99	1.02	0.99
(C*(8,L)C/T*8V)*B12	UC36B	0.98	1.00	0.97
(C*9C/T*9V)*B12	UC36B	0.99	1.02	0.99

<b>COOLING PERFORMANCE DATA - LOW CFM 1-STAGE OPERATION</b>																
<b>OUTDOOR UNIT MODEL NO.</b>		<b>AC5B036F3(C)</b>														
<b>INDOOR COIL MODEL NO.</b>		<b>FC/MC48C + MV16C</b>														
<b>CONDENSER ENTERING AIR TEMPERATURE</b>	<b>ID CFM</b>	<b>750</b>					<b>800</b>					<b>850</b>				
	<b>ID DB (°F)</b>	80	80	75	80	80	80	80	75	80	80	80	80	75	80	80
	<b>ID WB (°F)</b>	57	62	62	67	72	57	62	62	67	72	57	62	62	67	72
65	T.C.	26.9	27.8	26.7	30.6	31.8	27.4	27.9	27.1	30.8	32.3	28.0	27.9	27.4	31.1	32.7
	S.C.	25.7	25.5	20.0	20.1	16.1	26.3	24.9	20.7	20.9	16.4	26.8	24.3	21.3	21.7	16.8
	K.W.	1.2	1.3	1.2	1.2	1.2	1.2	1.2	1.3	1.2	1.2	1.2	1.2	1.3	1.2	1.2
75	T.C.	25.1	26.1	25.4	28.8	30.6	25.6	26.2	25.7	29.0	31.0	26.2	26.4	26.0	29.2	31.3
	S.C.	24.3	23.9	19.3	19.4	15.5	24.9	23.8	20.0	20.2	15.9	25.5	23.7	20.6	20.9	16.3
	K.W.	1.5	1.5	1.5	1.4	1.4	1.5	1.5	1.5	1.4	1.4	1.5	1.5	1.5	1.4	1.4
85	T.C.	23.2	24.4	24.1	27.0	29.3	23.8	24.6	24.3	27.2	29.7	24.4	24.9	24.6	27.4	30.0
	S.C.	23.0	22.4	18.6	18.7	15.0	23.6	22.7	19.3	19.4	15.4	24.3	23.1	19.9	20.1	15.9
	K.W.	1.7	1.7	1.7	1.7	1.7	1.7	1.7	1.7	1.7	1.7	1.7	1.7	1.7	1.7	1.7
95	T.C.	21.3	22.7	22.8	25.2	28.1	22.0	23.0	23.0	25.4	28.4	22.7	23.4	23.2	25.5	28.6
	S.C.	21.7	20.9	17.9	18.1	14.4	22.3	21.7	18.6	18.7	14.9	23.0	22.4	19.2	19.3	15.5
	K.W.	2.0	2.0	2.0	1.9	1.9	2.0	2.0	1.9	1.9	1.9	1.9	1.9	1.9	1.9	1.9
105	T.C.	20.3	21.3	21.2	23.6	26.2	20.9	21.6	21.5	23.7	26.4	21.5	21.8	21.7	23.9	26.6
	S.C.	20.6	19.7	17.1	17.4	13.8	21.2	20.4	17.7	18.0	14.2	21.8	21.0	18.3	18.6	14.7
	K.W.	2.3	2.3	2.3	2.3	2.2	2.3	2.3	2.3	2.3	2.2	2.3	2.3	2.3	2.3	2.2
115	T.C.	19.4	20.0	19.7	22.0	24.3	19.8	20.2	20.0	22.1	24.5	20.3	20.3	20.2	22.2	24.6
	S.C.	19.6	18.5	16.3	16.7	13.2	20.1	19.1	16.9	17.3	13.6	20.6	19.7	17.5	17.9	13.9
	K.W.	2.6	2.6	2.6	2.6	2.6	2.6	2.6	2.6	2.6	2.6	2.6	2.6	2.6	2.6	2.6
125	T.C.	18.4	18.7	18.3	20.5	22.4	18.7	18.7	18.5	20.5	22.6	19.1	18.8	18.7	20.6	22.7
	S.C.	18.6	17.4	15.5	16.1	12.6	19.0	17.8	16.1	16.7	12.9	19.4	18.3	16.6	17.2	13.2
	K.W.	3.0	2.9	3.0	2.9	2.9	2.9	2.9	2.9	2.9	2.9	2.9	2.9	2.9	2.9	2.9

NOTE: ALL CAPACITIES ARE NET (KBTUH) WITH INDOOR FAN HEAT ALREADY DEDUCTED AT 1250 BTUH/1000 CFM.

### Multipliers for determining the performance with other indoor sections.

NOTE: For dry bulb temperatures different than those listed (between 73-87 F), sensible capacity increases by 1060 BTUH per 1000 CFM per degree above the listed temperature and decreases by 1060 BTUH per 1000 CFM per degree below the listed temperature.

NOTE: KW RATING IS FOR OUTDOOR AND INDOOR UNITS.

### LOW CFM

<b>Air Handler</b>	<b>Coil</b>	<b>T.C.</b>	<b>S.C.</b>	<b>KW</b>
AV*36	-	0.98	0.98	1.02
AV/SV*48	-	0.99	1.00	1.03
AHX36	-	0.98	0.98	1.02
AHX42	-	1.04	1.11	1.04
AHX48	-	0.99	1.03	1.03
AHX60	-	1.06	1.16	1.08
MV12B	FC/MC35B	0.97	0.94	1.01
MV12B	FC/MC42B	0.97	0.94	1.01
MV20D	FC/MC48D	1.00	1.01	1.00

<b>Furnace</b>	<b>Coil</b>	<b>T.C.</b>	<b>S.C.</b>	<b>KW</b>
T*(8,L)X*B12	FC/MC/PC35B	0.95	0.95	1.01
T*(8,L)X*C16	FC/MC/PC35C	0.90	0.84	0.99
T*(8,L)X*C20	FC/MC/PC35C	0.95	0.95	1.01
T*9X*B12	FC/MC/PC35B	0.95	0.95	1.01
T*9X*C16	FC/MC/PC35C	0.94	0.90	0.99
T*9X*C20	FC/MC/PC35C	0.96	0.96	1.02
T*(8,L)X*A12	FC/MC/PC36A	0.95	0.94	1.01
T*(8,L)X*B12	FC/MC/PC36B	0.96	0.96	1.02
T*(8,L)X*C16	FC/MC/PC36C	0.92	0.88	1.00
T*(8,L)X*C20	FC/MC/PC36C	0.98	0.98	1.03
T*9X*B12	FC/MC/PC36B	0.95	0.95	1.01
T*9X*C16	FC/MC/PC36C	0.94	0.93	1.00
T*9X*C20	FC/MC/PC36C	0.97	0.98	1.03
T*(8,L)X*A12	FC/MC/PC37A	0.94	0.95	1.00
T*(8,L)X*B12	FC/MC/PC42B	0.94	0.96	1.02
T*(8,L)X*C16	FC/MC/PC42C	0.91	0.88	1.01
T*(8,L)X*C20	FC/MC/PC42C	0.94	0.96	1.00
T*9X*B12	FC/MC/PC42B	0.94	0.93	1.01
T*9X*C16	FC/MC/PC42C	0.94	0.93	1.02
T*(8,L)X*B12	FC/MC/PC43B	0.98	1.00	1.01

Continued on next page.

Furnace	Coil	T.C.	S.C.	KW
T*(8,L)X*C16	FC/MC/PC43C	0.93	0.88	1.00
T*(8,L)X*C20	FC/MC/PC43C	0.98	0.97	1.01
T*9X*B12	FC/MC/PC43B	0.98	0.98	1.02
T*9X*C16	FC/MC/PC43C	0.96	0.93	1.00
T*9X*C20	FC/MC/PC43C	0.98	0.98	1.01
T*(8,L)X*C16	FC/MC/PC48C	0.94	0.90	1.00
T*(8,L)X*C20	FC/MC/PC48C	0.98	0.98	1.00
T*9X*C16	FC/MC/PC48C	0.97	0.96	0.99
T*9X*C20	FC/MC/PC48C	0.98	1.00	1.00
T*9X*D20	FC/MC/PC48D	1.01	1.04	1.03
T*(8,L)X*A12	UC36A	0.92	0.90	1.02
T*(8,L)X*B12	UC36B	0.92	0.92	1.02
T*(8,L)X*C16	UC36C	0.88	0.84	0.99
T*(8,L)X*C20	UC36C	0.93	0.93	1.03
T*9X*C20	UC36C	0.92	0.93	1.02
T*(8,L)X*B12	UC42B	0.93	0.93	1.00
T*(8,L)X*C16	UC42C	0.91	0.85	1.00
T*(8,L)X*C20	UC42C	0.93	0.92	1.00
T*9X*B12	UC42B	0.93	0.91	1.03
T*9X*C16	UC42C	0.93	0.91	1.00
T*(8,L)X*C16	UC48C	0.90	0.85	0.99
T*(8,L)X*C20	UC48C	0.93	0.94	1.00
T*9X*C16	UC48C	0.93	0.90	1.00
T*9X*C20	UC48C	0.94	0.95	1.01
T*9X*D20	UC48D	0.97	1.00	1.03
(C*(8,L)C/T*8V)*B12	FC/MC/PC35B	0.96	0.95	1.00
(C*9C/T*9V)*B12	FC/MC/PC35B	0.98	0.99	1.02
(C*(8,L)C/T*8V)*C16	FC/MC/PC35C	0.98	0.99	1.01
(C*(8,L)C/T*8V)*C20	FC/MC/PC35C	1.02	1.09	1.04
(C*9C/T*9V)*C16	FC/MC/PC35C	0.98	0.99	1.01
(C*9C/T*9V)*C20	FC/MC/PC35C	0.97	0.96	1.00
(C*(8,L)C/T*8V)*A12	FC/MC/PC36A	0.98	0.99	1.02
(C*(8,L)C/T*8V)*B12	FC/MC/PC36B	0.97	0.95	1.00
(C*9C/T*9V)*B12	FC/MC/PC36B	0.98	0.99	1.02
(C*(8,L)C/T*8V)*C16	FC/MC/PC36C	0.98	0.99	1.00
(C*(8,L)C/T*8V)*C20	FC/MC/PC36C	0.98	0.99	1.00
(C*9C/T*9V)*C16	FC/MC/PC36C	1.01	1.04	1.03
(C*9C/T*9V)*C20	FC/MC/PC36C	0.97	0.96	1.00
(C*(8,L)C/T*8V)*A12	FC/MC/PC37A	0.95	0.92	0.99
(C*(8,L)C/T*8V)*B12	FC/MC/PC42B	0.95	0.94	1.00
(C*9C/T*9V)*B12	FC/MC/PC42B	0.96	0.95	1.02

Furnace	Coil	T.C.	S.C.	KW
(C*(8,L)C/T*8V)*C16	FC/MC/PC42C	0.96	0.96	1.00
(C*(8,L)C/T*8V)*C20	FC/MC/PC42C	0.95	0.94	0.99
(C*9C/T*9V)*C16	FC/MC/PC42C	0.95	0.94	1.00
(C*9C/T*9V)*C20	FC/MC/PC42C	0.95	0.94	1.00
(C*(8,L)C/T*8V)*B12	FC/MC/PC43B	0.98	0.97	1.01
(C*9C/T*9V)*B12	FC/MC/PC43B	1.00	1.00	1.02
(C*(8,L)C/T*8V)*C16	FC/MC/PC43C	1.00	1.01	1.00
(C*(8,L)C/T*8V)*C20	FC/MC/PC43C	0.98	0.97	0.99
(C*9C/T*9V)*C16	FC/MC/PC43C	1.00	1.01	1.02
(C*9C/T*9V)*C20	FC/MC/PC43C	0.98	0.97	1.00
(C*(8,L)C/T*8V)*C16	FC/MC/PC48C	1.01	1.02	1.00
(C*(8,L)C/T*8V)*C20	FC/MC/PC48C	0.99	0.96	0.99
(C*9C/T*9V)*C16	FC/MC/PC48C	1.01	1.02	1.00
(C*9C/T*9V)*C20	FC/MC/PC48C	0.99	0.98	1.00
(C*(8,L)C/T*8V)*C16	HC42	1.00	1.00	1.00
(C*(8,L)C/T*8V)*C20	HC42	0.98	0.97	0.99
(C*9C/T*9V)*C16	HC42	1.00	1.00	1.02
(C*9C/T*9V)*C20	HC42	1.00	1.00	1.00
(C*(8,L)C/T*8V)*B12	HD48	0.99	0.96	1.00
(C*(8,L)C/T*8V)*C16	HD48	1.01	1.01	1.00
(C*(8,L)C/T*8V)*C20	HD48	0.98	0.95	0.99
(C*9C/T*9V)*B12	HD48	0.98	0.95	1.00
(C*9C/T*9V)*C16	HD48	1.00	1.01	1.00
(C*9C/T*9V)*C20	HD48	0.99	0.97	1.00
(C*(8,L)C/T*8V)*A12	UC36A	0.94	0.94	1.02
(C*(8,L)C/T*8V)*B12	UC36B	0.93	0.91	1.00
(C*9C/T*9V)*B12	UC36B	0.95	0.94	1.02
(C*(8,L)C/T*8V)*C16	UC36C	0.95	0.95	1.00
(C*(8,L)C/T*8V)*C20	UC36C	0.95	0.95	1.00
(C*9C/T*9V)*C16	UC36C	0.96	1.00	1.03
(C*9C/T*9V)*C20	UC36C	0.93	0.92	1.00
(C*(8,L)C/T*8V)*B12	UC42B	0.94	0.91	0.99
(C*9C/T*9V)*B12	UC42B	0.95	0.93	1.02
(C*(8,L)C/T*8V)*C16	UC42C	0.95	0.93	1.00
(C*(8,L)C/T*8V)*C20	UC42C	0.94	0.91	0.99
(C*9C/T*9V)*C16	UC42C	0.94	0.91	1.00
(C*9C/T*9V)*C20	UC42C	0.94	0.92	1.00
(C*(8,L)C/T*8V)*C16	UC48C	0.96	0.97	1.00
(C*(8,L)C/T*8V)*C20	UC48C	0.94	0.91	0.99
(C*9C/T*9V)*C16	UC48C	0.96	0.97	1.00
(C*9C/T*9V)*C20	UC48C	0.95	0.93	1.00

<b>COOLING PERFORMANCE DATA - HIGH CFM 2-STAGE OPERATION</b>																
<b>OUTDOOR UNIT MODEL NO.</b>		<b>AC5B036F3(C)</b>														
<b>INDOOR COIL MODEL NO.</b>		<b>FC/MC48C + MV16C</b>														
<b>CONDENSER ENTERING AIR TEMPERATURE</b>	<b>ID CFM</b>	<b>1100</b>					<b>1200</b>					<b>1300</b>				
	<b>ID DB (°F)</b>	80	80	75	80	80	80	80	75	80	80	80	80	75	80	80
	<b>ID WB (°F)</b>	57	62	62	67	72	57	62	62	67	72	57	62	62	67	72
65	T.C.	34.1	36.8	36.5	38.0	39.8	34.7	37.1	36.6	37.5	39.3	35.4	37.3	36.6	37.1	38.8
	S.C.	35.3	32.2	26.2	26.1	20.1	36.6	32.8	28.0	25.9	20.3	37.0	33.5	29.8	25.7	20.5
	K.W.	1.9	2.0	2.1	2.0	2.0	1.9	2.0	2.1	2.0	2.1	2.0	2.0	2.0	2.0	2.1
75	T.C.	33.2	35.5	35.1	37.3	39.1	33.9	35.7	35.3	37.0	38.8	34.6	36.0	35.5	36.8	38.5
	S.C.	34.5	32.0	26.3	26.1	20.3	35.6	32.7	27.9	26.3	20.5	36.8	33.4	29.4	26.5	20.7
	K.W.	2.2	2.2	2.3	2.3	2.3	2.2	2.3	2.3	2.3	2.3	2.3	2.3	2.3	2.3	2.4
85	T.C.	32.4	34.1	33.8	36.5	38.5	33.1	34.4	34.1	36.5	38.4	33.8	34.6	34.3	36.5	38.3
	S.C.	33.7	31.7	26.5	26.2	20.5	34.6	32.6	27.8	26.8	20.7	35.5	33.4	29.0	27.3	20.8
	K.W.	2.5	2.5	2.6	2.6	2.6	2.5	2.5	2.5	2.6	2.6	2.6	2.6	2.5	2.6	2.6
95	T.C.	31.6	32.7	32.4	35.8	37.8	32.3	33.0	32.8	36.0	37.9	32.9	33.3	33.2	36.2	38.0
	S.C.	32.9	31.5	26.6	26.3	20.6	33.6	32.4	27.6	27.2	20.8	34.3	33.3	28.6	28.1	21.0
	K.W.	2.8	2.8	2.8	2.8	2.9	2.8	2.8	2.8	2.9	2.9	2.8	2.8	2.8	2.9	2.9
105	T.C.	29.1	30.7	30.5	33.5	34.7	29.9	30.9	30.8	33.7	35.5	30.7	31.1	31.1	33.9	36.2
	S.C.	30.3	30.3	25.2	25.1	21.4	31.1	30.6	26.1	26.0	20.9	32.0	30.8	27.0	26.9	20.5
	K.W.	3.2	3.2	3.2	3.3	3.3	3.2	3.2	3.2	3.3	3.3	3.3	3.3	3.2	3.3	3.3
115	T.C.	26.7	28.8	28.5	31.3	31.7	27.6	28.9	28.9	31.5	33.1	28.5	29.0	29.1	31.8	34.4
	S.C.	27.7	29.1	23.8	23.9	22.1	28.8	28.8	24.6	24.8	21.0	29.8	28.4	25.4	25.7	19.9
	K.W.	3.6	3.6	3.6	3.7	3.7	3.7	3.6	3.6	3.7	3.7	3.7	3.7	3.7	3.7	3.7
125	T.C.	24.2	26.9	26.6	29.0	28.8	25.3	26.9	26.9	29.4	30.7	26.3	26.9	27.2	29.6	32.7
	S.C.	25.1	27.9	22.4	22.7	22.9	26.4	27.0	23.1	23.6	21.1	27.6	26.0	23.8	24.5	19.3
	K.W.	4.0	4.0	4.0	4.1	4.1	4.1	4.1	4.0	4.1	4.1	4.1	4.1	4.1	4.1	4.2

NOTE: ALL CAPACITIES ARE NET (KBTUH) WITH INDOOR FAN HEAT ALREADY DEDUCTED AT 1250 BTUH/1000 CFM.

### Multipliers for determining the performance with other indoor sections.

NOTE: For dry bulb temperatures different than those listed (between 73-87 F), sensible capacity increases by 1060 BTUH per 1000 CFM per degree above the listed temperature and decreases by 1060 BTUH per 1000 CFM per degree below the listed temperature.

NOTE: KW RATING IS FOR OUTDOOR AND INDOOR UNITS.

### HIGH CFM

<b>Air Handler</b>	<b>Coil</b>	<b>T.C.</b>	<b>S.C.</b>	<b>KW</b>
AV*36	-	0.98	0.97	1.03
AV/SV*48	-	0.99	0.99	1.02
AHX36	-	0.98	0.99	1.03
AHX42	-	0.99	0.99	1.00
AHX48	-	0.99	1.00	1.02
AHX60	-	1.00	1.03	1.03
MV12B	FC/MC35B	0.97	0.97	1.01
MV12B	FC/MC42B	0.97	0.97	1.01
MV20D	FC/MC48D	1.00	1.01	1.00

<b>Furnace</b>	<b>Coil</b>	<b>T.C.</b>	<b>S.C.</b>	<b>KW</b>
T*(8,L)X*B12	FC/MC/PC35B	0.95	0.96	1.06
T*(8,L)X*C16	FC/MC/PC35C	0.94	0.93	1.01
T*(8,L)X*C20	FC/MC/PC35C	0.96	0.96	1.00
T*9X*B12	FC/MC/PC35B	0.94	0.95	1.06
T*9X*C16	FC/MC/PC35C	0.95	0.96	1.02
T*9X*C20	FC/MC/PC35C	0.95	0.96	1.04
T*(8,L)X*A12	FC/MC/PC36A	0.93	0.91	1.05
T*(8,L)X*B12	FC/MC/PC36B	0.94	0.94	1.03
T*(8,L)X*C16	FC/MC/PC36C	0.94	0.91	1.01
T*(8,L)X*C20	FC/MC/PC36C	0.94	0.95	1.01
T*9X*B12	FC/MC/PC36B	0.94	0.94	1.03
T*9X*C16	FC/MC/PC36C	0.94	0.95	1.03
T*9X*C20	FC/MC/PC36C	0.95	0.94	1.04
T*(8,L)X*A12	FC/MC/PC37A	0.93	0.96	1.02
T*(8,L)X*B12	FC/MC/PC42B	0.94	0.93	1.01
T*(8,L)X*C16	FC/MC/PC42C	0.94	0.93	1.01
T*(8,L)X*C20	FC/MC/PC42C	0.95	0.96	1.00
T*9X*B12	FC/MC/PC42B	0.93	0.93	1.07

Continued on next page.

Furnace	Coil	T.C.	S.C.	KW
T*9X*C16	FC/MC/PC42C	0.94	0.94	1.01
T*(8,L)X*B12	FC/MC/PC43B	0.97	0.98	1.06
T*(8,L)X*C16	FC/MC/PC43C	0.98	0.97	1.03
T*(8,L)X*C20	FC/MC/PC43C	0.98	1.00	1.01
T*9X*B12	FC/MC/PC43B	0.97	0.98	1.06
T*9X*C16	FC/MC/PC43C	0.97	0.98	1.04
T*9X*C20	FC/MC/PC43C	0.98	0.97	1.03
T*(8,L)X*C16	FC/MC/PC48C	0.99	0.99	1.02
T*(8,L)X*C20	FC/MC/PC48C	0.98	1.00	1.01
T*9X*C16	FC/MC/PC48C	0.99	1.00	1.04
T*9X*C20	FC/MC/PC48C	0.98	0.99	1.03
T*9X*D20	FC/MC/PC48D	0.99	1.00	1.02
T*(8,L)X*A12	UC36A	0.92	0.90	1.05
T*(8,L)X*B12	UC36B	0.92	0.91	1.03
T*(8,L)X*C16	UC36C	0.92	0.89	1.00
T*(8,L)X*C20	UC36C	0.93	0.92	0.99
T*9X*C20	UC36C	0.93	0.92	1.04
T*(8,L)X*B12	UC42B	0.93	0.90	1.02
T*(8,L)X*C16	UC42C	0.94	0.92	1.03
T*(8,L)X*C20	UC42C	0.94	0.94	1.01
T*9X*B12	UC42B	0.92	0.92	1.06
T*9X*C16	UC42C	0.93	0.93	1.02
T*(8,L)X*C16	UC48C	0.96	0.93	1.05
T*(8,L)X*C20	UC48C	0.94	0.96	0.99
T*9X*C16	UC48C	0.95	0.97	1.02
T*9X*C20	UC48C	0.95	0.95	1.04
T*9X*D20	UC48D	0.96	0.97	1.00
(C*(8,L)C/T*8V)*B12	FC/MC/PC35B	0.96	0.95	1.05
(C*9C/T*9V)*B12	FC/MC/PC35B	0.95	0.95	1.04
(C*(8,L)C/T*8V)*C16	FC/MC/PC35C	0.96	0.95	1.02
(C*(8,L)C/T*8V)*C20	FC/MC/PC35C	0.96	0.95	1.00
(C*9C/T*9V)*C16	FC/MC/PC35C	0.96	0.95	1.02
(C*9C/T*9V)*C20	FC/MC/PC35C	0.97	0.99	1.05
(C*(8,L)C/T*8V)*A12	FC/MC/PC36A	0.95	0.93	1.05
(C*(8,L)C/T*8V)*B12	FC/MC/PC36B	0.95	0.95	1.03
(C*9C/T*9V)*B12	FC/MC/PC36B	0.95	0.94	1.02
(C*(8,L)C/T*8V)*C16	FC/MC/PC36C	0.96	0.94	1.01
(C*(8,L)C/T*8V)*C20	FC/MC/PC36C	0.96	0.95	1.00
(C*9C/T*9V)*C16	FC/MC/PC36C	0.96	0.95	1.01
(C*9C/T*9V)*C20	FC/MC/PC36C	0.97	0.98	1.04
(C*(8,L)C/T*8V)*A12	FC/MC/PC37A	0.95	0.90	1.01
(C*(8,L)C/T*8V)*B12	FC/MC/PC42B	0.95	0.93	1.01

Furnace	Coil	T.C.	S.C.	KW
(C*9C/T*9V)*B12	FC/MC/PC42B	0.94	0.93	1.05
(C*(8,L)C/T*8V)*C16	FC/MC/PC42C	0.96	0.95	0.99
(C*(8,L)C/T*8V)*C20	FC/MC/PC42C	0.96	0.94	0.98
(C*9C/T*9V)*C16	FC/MC/PC42C	0.95	0.93	1.00
(C*9C/T*9V)*C20	FC/MC/PC42C	0.97	0.98	1.03
(C*(8,L)C/T*8V)*B12	FC/MC/PC43B	0.98	0.98	1.05
(C*9C/T*9V)*B12	FC/MC/PC43B	0.98	0.97	1.05
(C*(8,L)C/T*8V)*C16	FC/MC/PC43C	0.99	0.98	1.01
(C*(8,L)C/T*8V)*C20	FC/MC/PC43C	0.99	0.99	1.00
(C*9C/T*9V)*C16	FC/MC/PC43C	0.98	0.98	1.03
(C*9C/T*9V)*C20	FC/MC/PC43C	0.99	0.99	1.02
(C*(8,L)C/T*8V)*C16	FC/MC/PC48C	1.00	1.01	1.00
(C*(8,L)C/T*8V)*C20	FC/MC/PC48C	1.00	0.99	0.99
(C*9C/T*9V)*C16	FC/MC/PC48C	1.00	1.01	1.02
(C*9C/T*9V)*C20	FC/MC/PC48C	1.00	1.04	1.04
(C*(8,L)C/T*8V)*C16	HC42	0.99	0.99	1.01
(C*(8,L)C/T*8V)*C20	HC42	0.99	0.99	1.00
(C*9C/T*9V)*C16	HC42	0.98	0.98	1.03
(C*9C/T*9V)*C20	HC42	0.99	0.99	1.02
(C*(8,L)C/T*8V)*B12	HD48	0.99	0.97	1.03
(C*(8,L)C/T*8V)*C16	HD48	1.00	0.98	1.00
(C*(8,L)C/T*8V)*C20	HD48	0.99	0.97	0.99
(C*9C/T*9V)*B12	HD48	0.98	0.95	1.03
(C*9C/T*9V)*C16	HD48	0.99	0.98	1.01
(C*9C/T*9V)*C20	HD48	1.00	1.02	1.04
(C*(8,L)C/T*8V)*A12	UC36A	0.93	0.91	1.04
(C*(8,L)C/T*8V)*B12	UC36B	0.93	0.92	1.03
(C*9C/T*9V)*B12	UC36B	0.93	0.92	1.02
(C*(8,L)C/T*8V)*C16	UC36C	0.94	0.92	1.01
(C*(8,L)C/T*8V)*C20	UC36C	0.94	0.92	1.00
(C*9C/T*9V)*C16	UC36C	0.94	0.92	1.00
(C*9C/T*9V)*C20	UC36C	0.94	0.96	1.03
(C*(8,L)C/T*8V)*B12	UC42B	0.94	0.92	1.01
(C*9C/T*9V)*B12	UC42B	0.93	0.91	1.04
(C*(8,L)C/T*8V)*C16	UC42C	0.95	0.93	0.99
(C*(8,L)C/T*8V)*C20	UC42C	0.95	0.92	0.98
(C*9C/T*9V)*C16	UC42C	0.94	0.92	1.00
(C*9C/T*9V)*C20	UC42C	0.96	0.97	1.03
(C*(8,L)C/T*8V)*C16	UC48C	0.96	0.97	1.00
(C*(8,L)C/T*8V)*C20	UC48C	0.96	0.94	0.99
(C*9C/T*9V)*C16	UC48C	0.96	0.96	1.01
(C*9C/T*9V)*C20	UC48C	0.97	1.00	1.04

<b>COOLING PERFORMANCE DATA - LOW CFM 1-STAGE OPERATION</b>																
<b>OUTDOOR UNIT MODEL NO.</b>		<b>AC5B048F3(C)</b>														
<b>INDOOR COIL MODEL NO.</b>		<b>FC/MC60D + MV20D</b>														
<b>CONDENSER ENTERING AIR TEMPERATURE</b>	ID CFM	950					1000					1050				
	ID DB (°F)	80	80	75	80	80	80	80	75	80	80	80	80	75	80	80
	ID WB (°F)	57	62	62	67	72	57	62	62	67	72	57	62	62	67	72
65	T.C.	29.9	33.7	34.9	37.9	45.0	31.0	34.1	35.3	38.5	45.5	32.1	34.5	35.8	39.0	46.1
	S.C.	33.1	31.3	26.6	26.1	21.6	34.2	32.4	27.6	27.0	22.3	35.4	33.5	28.6	27.8	22.9
	K.W.	1.6	1.6	1.6	1.6	1.6	1.6	1.6	1.6	1.6	1.6	1.6	1.6	1.6	1.6	1.6
75	T.C.	28.3	31.6	32.6	36.3	42.7	29.3	32.1	33.1	36.8	43.2	30.4	32.5	33.5	37.3	43.7
	S.C.	31.3	30.0	25.4	25.5	20.9	32.4	31.1	26.4	26.4	21.5	33.5	32.1	27.4	27.2	22.1
	K.W.	2.0	1.9	1.9	1.9	1.9	1.9	1.9	1.9	1.9	1.9	1.9	1.9	1.9	1.9	1.9
85	T.C.	26.7	29.5	30.3	34.6	40.3	27.6	30.0	30.8	35.1	40.8	28.6	30.5	31.3	35.6	41.2
	S.C.	29.5	28.8	24.3	24.8	20.1	30.5	29.8	25.3	25.7	20.7	31.6	30.7	26.3	26.6	21.3
	K.W.	2.3	2.2	2.3	2.2	2.2	2.3	2.2	2.3	2.2	2.2	2.2	2.2	2.3	2.2	2.2
95	T.C.	25.1	27.5	28.0	32.9	38.0	26.0	28.0	28.5	33.4	38.4	26.9	28.5	29.0	33.9	38.8
	S.C.	27.7	27.6	23.2	24.2	19.3	28.7	28.5	24.2	25.1	19.9	29.7	29.3	25.1	26.0	20.5
	K.W.	2.6	2.6	2.6	2.5	2.5	2.6	2.5	2.6	2.5	2.5	2.6	2.5	2.6	2.5	2.5
105	T.C.	23.7	25.4	25.8	30.2	35.1	24.5	25.9	26.3	30.6	35.5	25.3	26.3	26.8	31.0	35.9
	S.C.	26.1	25.8	22.1	23.2	18.4	27.0	26.6	23.0	24.0	18.9	27.9	27.4	23.9	24.9	19.4
	K.W.	3.0	3.0	3.0	3.0	3.0	3.0	3.0	3.0	3.0	3.0	3.0	3.0	3.0	3.0	3.0
115	T.C.	22.4	23.4	23.7	27.7	32.2	23.0	23.8	24.1	28.0	32.6	23.7	24.2	24.6	28.3	33.0
	S.C.	24.6	23.9	21.0	22.2	17.5	25.4	24.7	21.9	23.0	18.0	26.2	25.5	22.8	23.8	18.4
	K.W.	3.4	3.4	3.4	3.4	3.4	3.4	3.4	3.4	3.4	3.4	3.4	3.4	3.4	3.4	3.4
125	T.C.	21.1	21.4	21.6	25.1	29.3	21.6	21.8	22.0	25.3	29.7	22.1	22.1	22.4	25.5	30.1
	S.C.	23.0	22.1	19.9	21.2	16.5	23.7	22.9	20.8	22.0	17.0	24.4	23.6	21.6	22.7	17.4
	K.W.	3.8	3.8	3.8	3.8	3.8	3.8	3.8	3.8	3.8	3.8	3.8	3.8	3.8	3.8	3.8

NOTE: ALL CAPACITIES ARE NET (KBTUH) WITH INDOOR FAN HEAT ALREADY DEDUCTED AT 1250 BTUH/1000 CFM.

### Multipliers for determining the performance with other indoor sections.

NOTE: For dry bulb temperatures different than those listed (between 73-87 F), sensible capacity increases by 1060 BTUH per 1000 CFM per degree above the listed temperature and decreases by 1060 BTUH per 1000 CFM per degree below the listed temperature.

NOTE: KW RATING IS FOR OUTDOOR AND INDOOR UNITS.

### LOW CFM

Air Handler	Coil	T.C.	S.C.	KW
AV/SV*48	-	1.00	1.02	1.01
AV/SV*60	-	1.02	1.02	1.02
AHX48	-	1.00	1.03	0.99
AHX60	-	1.02	1.05	1.02
F*FV060	-	1.00	1.00	1.00
MV20D	MC61D	1.00	1.01	0.99

Continued on next page.

Furnace	Coil	T.C.	S.C.	KW
T*(8,L)X*C16	FC/MC/PC48C	0.99	1.02	1.00
T*(8,L)X*C20	FC/MC/PC48C	0.99	0.96	1.02
T*9X*C20	FC/MC/PC48C	0.99	1.04	1.02
T*9X*D20	FC/MC/PC48D	0.99	1.06	1.03
T*(8,L)X*C16	FC/PC60C	0.99	1.02	1.00
T*(8,L)X*C20	FC/MC/PC60D	0.99	0.97	1.01
T*9X*C20	FC/PC60C	0.98	1.07	1.01
T*9X*D20	FC/MC/PC60D	0.98	1.06	1.01
T*(8,L)X*C16	FC/MC62D	1.07	1.10	1.04
T*(8,L)X*C20	FC/MC62D	0.99	0.96	1.00
T*9X*C20	FC/MC62D	1.08	1.14	1.06
T*9X*D20	FC/MC62D	0.99	1.04	1.02
T*9X*D20	HD48	0.98	1.01	1.01
T*(8,L)X*C16	HD60	0.99	1.07	1.00
T*(8,L)X*C16	UC48C	0.94	0.99	1.01
T*(8,L)X*C20	UC48C	0.93	0.91	1.02
T*9X*C20	UC48C	0.94	0.98	1.01
T*9X*D20	UC48D	0.94	1.01	1.01
T*(8,L)X*C16	UC60C	0.94	0.96	1.01
T*(8,L)X*C20	UC60D	0.96	0.93	1.01
T*9X*D20	UC60D	0.94	1.00	1.03
(C*(8,L)C/T*8V)*C16	FC/MC/PC48C	1.01	1.01	1.01
(C*(8,L)C/T*8V)*C20	FC/MC/PC48C	1.01	1.01	1.02
(C*9C/T*9V)*C16	FC/MC/PC48C	1.01	1.01	1.02
(C*9C/T*9V)*C20	FC/MC/PC48C	1.01	1.01	1.02
(C*9C/T*9V)*D20	FC/MC/PC48D	1.01	1.02	1.02

Furnace	Coil	T.C.	S.C.	KW
(C*9C/T*9V)*D20	FC/MC/PC60D	1.01	1.00	1.02
(C*9C/T*9V)*D20	FC/MC62D	1.01	1.03	1.02
(C*(8,L)C/T*8V)*C16	FC/PC60C	1.01	1.01	1.01
(C*(8,L)C/T*8V)*C20	FC/PC60C	1.01	1.01	1.00
(C*9C/T*9V)*C16	FC/PC60C	1.01	1.00	1.02
(C*9C/T*9V)*C20	FC/PC60C	1.01	1.00	1.02
(C*9C/T*9V)*D20	HC60	0.97	0.97	1.02
(C*(8,L)C/T*8V)*C16	HD48	1.00	1.00	1.01
(C*(8,L)C/T*8V)*C20	HD48	1.00	0.99	1.02
(C*9C/T*9V)*C16	HD48	1.00	0.99	1.02
(C*9C/T*9V)*C20	HD48	1.00	0.99	1.02
(C*9C/T*9V)*D20	HD48	1.00	0.99	1.02
(C*(8,L)C/T*8V)*C16	HD60	1.01	1.01	1.01
(C*(8,L)C/T*8V)*C20	HD60	1.01	1.01	1.00
(C*9C/T*9V)*C16	HD60	1.01	1.01	1.02
(C*9C/T*9V)*C20	HD60	1.01	1.01	1.01
(C*9C/T*9V)*D20	HD60	1.01	1.01	1.02
(C*(8,L)C/T*8V)*C16	UC48C	0.96	0.97	1.02
(C*(8,L)C/T*8V)*C20	UC48C	0.96	0.97	1.02
(C*9C/T*9V)*C16	UC48C	0.96	0.96	1.03
(C*9C/T*9V)*C20	UC48C	0.96	0.97	1.02
(C*9C/T*9V)*D20	UC48D	0.96	0.98	1.02
(C*(8,L)C/T*8V)*C16	UC60C	0.96	0.96	1.01
(C*(8,L)C/T*8V)*C20	UC60C	0.97	0.96	1.01
(C*9C/T*9V)*C16	UC60C	0.96	0.96	1.03
(C*9C/T*9V)*C20	UC60C	0.96	0.96	1.02
(C*9C/T*9V)*D20	UC60D	0.96	0.96	1.02

<b>COOLING PERFORMANCE DATA - HIGH CFM 2-STAGE OPERATION</b>																	
<b>OUTDOOR UNIT MODEL NO.</b>		<b>AC5B048F3(C)</b>															
<b>INDOOR COIL MODEL NO.</b>		<b>FC/MC60D + MV20D</b>															
<b>CONDENSER ENTERING AIR TEMPERATURE</b>	<b>ID CFM</b>	1500					1600					1700					
	<b>ID DB (°F)</b>	80	80	75	80	80	80	80	75	80	80	80	80	75	80	80	
	<b>ID WB (°F)</b>	57	62	62	67	72	57	62	62	67	72	57	62	62	67	72	
65	T.C.	49.7	52.5	48.5	54.2	62.6	50.6	52.9	49.1	54.8	63.1	51.6	53.3	49.6	55.3	63.6	
	S.C.	52.8	50.4	38.3	38.5	30.4	53.8	51.3	39.7	39.7	31.3	54.8	52.2	41.1	41.0	32.3	
	K.W.	2.6	2.6	2.6	2.7	2.8	2.6	2.7	2.7	2.7	2.9	2.7	2.7	2.7	2.7	2.9	
75	T.C.	47.4	49.9	46.0	51.7	59.5	48.3	50.4	46.5	52.2	60.0	49.2	50.8	47.1	52.7	60.4	
	S.C.	50.4	48.4	37.1	37.4	29.6	51.3	49.4	38.5	38.7	30.5	52.2	50.4	39.8	39.9	31.3	
	K.W.	2.9	3.0	2.9	3.0	3.2	3.0	3.0	3.0	3.1	3.2	3.0	3.0	3.0	3.1	3.2	
85	T.C.	45.2	47.4	43.5	49.2	56.4	46.0	47.9	44.0	49.6	56.8	46.9	48.4	44.5	50.0	57.2	
	S.C.	47.9	46.4	35.9	36.4	28.9	48.8	47.5	37.2	37.6	29.6	49.7	48.6	38.5	38.9	30.2	
	K.W.	3.3	3.3	3.3	3.4	3.5	3.3	3.3	3.3	3.4	3.5	3.4	3.4	3.4	3.5	3.6	
95	T.C.	42.9	44.9	40.9	46.7	53.3	43.7	45.5	41.5	47.0	53.7	44.5	46.0	41.9	47.3	54.1	
	S.C.	45.5	44.4	34.6	35.3	28.1	46.3	45.6	35.9	36.6	28.7	47.1	46.7	37.2	37.9	29.2	
	K.W.	3.6	3.6	3.6	3.7	3.8	3.6	3.7	3.6	3.8	3.9	3.7	3.7	3.7	3.8	3.9	
105	T.C.	40.4	41.9	39.0	43.3	49.5	41.1	42.4	39.5	43.6	49.8	41.7	42.8	39.9	43.9	50.2	
	S.C.	42.8	42.1	33.9	34.0	26.7	43.4	43.0	35.0	35.3	27.3	44.1	43.9	36.1	36.5	27.9	
	K.W.	4.2	4.1	4.1	4.2	4.3	4.2	4.2	4.2	4.3	4.4	4.3	4.2	4.2	4.3	4.4	
115	T.C.	37.9	39.0	37.2	40.1	45.7	38.4	39.4	37.6	40.4	46.1	38.9	39.8	38.0	40.6	46.3	
	S.C.	40.1	39.9	33.2	32.7	25.3	40.6	40.5	34.2	33.9	26.0	41.1	41.1	35.1	35.1	26.7	
	K.W.	4.7	4.7	4.7	4.7	4.8	4.8	4.7	4.7	4.8	4.9	4.8	4.8	4.7	4.8	4.9	
125	T.C.	35.4	36.1	35.4	36.9	42.0	35.8	36.4	35.7	37.1	42.3	36.2	36.7	36.0	37.3	42.5	
	S.C.	37.4	37.7	32.5	31.4	23.9	37.8	38.0	33.3	32.6	24.6	38.1	38.3	34.0	33.8	25.4	
	K.W.	5.3	5.2	5.2	5.2	5.3	5.4	5.2	5.2	5.3	5.4	5.4	5.3	5.3	5.3	5.4	

NOTE: ALL CAPACITIES ARE NET (KBTUH) WITH INDOOR FAN HEAT ALREADY DEDUCTED AT 1250 BTUH/1000 CFM.

### Multipliers for determining the performance with other indoor sections

NOTE: For dry bulb temperatures different than those listed (between 73-87 F), sensible capacity increases by 1060 BTUH per 1000 CFM per degree above the listed temperature and decreases by 1060 BTUH per 1000 CFM per degree below the listed temperature.

NOTE: KW RATING IS FOR OUTDOOR AND INDOOR UNITS.

### HIGH CFM

<b>Air Handler</b>	<b>Coil</b>	<b>T.C.</b>	<b>S.C.</b>	<b>KW</b>
AV/SV*48	–	1.02	1.02	1.04
AV/SV*60	–	1.01	1.00	1.03
AHX48	–	1.02	1.04	1.04
AHX60	–	1.01	1.03	1.03
F*FV060	–	1.00	1.00	1.00
MV20D	MC61D	1.00	1.01	0.99

Continued on next page.

Furnace	Coil	T.C.	S.C.	KW
T*(8,L)X*C16	FC/MC/PC48C	0.97	0.97	1.03
T*(8,L)X*C20	FC/MC/PC48C	0.97	0.98	1.03
T*9X*C20	FC/MC/PC48C	0.98	0.98	1.04
T*9X*D20	FC/MC/PC48D	0.98	0.98	1.04
T*(8,L)X*C16	FC/PC60C	0.98	0.97	1.02
T*(8,L)X*C20	FC/MC/PC60D	1.01	1.01	1.05
T*9X*C20	FC/PC60C	0.97	0.99	1.03
T*9X*D20	FC/MC/PC60D	0.98	0.95	1.04
T*(8,L)X*C16	FC/MC62D	1.03	1.03	1.05
T*(8,L)X*C20	FC/MC62D	1.03	1.05	1.05
T*9X*C20	FC/MC62D	1.02	1.03	1.04
T*9X*D20	FC/MC62D	0.98	0.98	1.02
T*9X*D20	HD48	0.97	0.95	1.03
T*(8,L)X*C16	HD60	0.97	0.97	1.03
T*(8,L)X*C16	UC48C	0.94	0.96	1.01
T*(8,L)X*C20	UC48C	0.94	0.91	1.01
T*9X*C20	UC48C	0.94	0.94	1.04
T*9X*D20	UC48D	0.95	0.96	1.03
T*(8,L)X*C16	UC60C	0.95	0.93	1.03
T*(8,L)X*C20	UC60D	0.99	0.97	1.01
T*9X*D20	UC60D	0.95	0.91	1.03
(C*(8,L)C/T*8V)*C16	FC/MC/PC48C	0.99	1.00	1.03
(C*(8,L)C/T*8V)*C20	FC/MC/PC48C	0.99	1.00	1.03
(C*9C/T*9V)*C16	FC/MC/PC48C	1.00	0.99	1.03
(C*9C/T*9V)*C20	FC/MC/PC48C	1.00	0.99	1.03
(C*9C/T*9V)*D20	FC/MC/PC48D	1.00	1.00	1.03

Furnace	Coil	T.C.	S.C.	KW
(C*9C/T*9V)*D20	FC/MC/PC60D	1.00	1.00	1.02
(C*9C/T*9V)*D20	FC/MC62D	1.00	1.01	1.03
(C*(8,L)C/T*8V)*C16	FC/PC60C	1.00	1.01	1.02
(C*(8,L)C/T*8V)*C20	FC/PC60C	1.00	1.01	1.00
(C*9C/T*9V)*C16	FC/PC60C	0.99	1.00	1.03
(C*9C/T*9V)*C20	FC/PC60C	0.99	1.00	1.03
(C*9C/T*9V)*D20	HC60	0.96	0.98	1.02
(C*(8,L)C/T*8V)*C16	HD48	0.99	0.98	1.03
(C*(8,L)C/T*8V)*C20	HD48	0.99	0.98	1.03
(C*9C/T*9V)*C16	HD48	0.98	0.97	1.03
(C*9C/T*9V)*C20	HD48	0.98	0.97	1.03
(C*9C/T*9V)*D20	HD48	0.99	0.98	1.03
(C*(8,L)C/T*8V)*C16	HD60	0.99	1.00	1.02
(C*(8,L)C/T*8V)*C20	HD60	1.00	1.01	1.01
(C*9C/T*9V)*C16	HD60	0.99	1.00	1.03
(C*9C/T*9V)*C20	HD60	0.99	1.00	1.03
(C*9C/T*9V)*D20	HD60	0.99	1.00	1.03
(C*(8,L)C/T*8V)*C16	UC48C	0.96	0.97	1.02
(C*(8,L)C/T*8V)*C20	UC48C	0.96	0.97	1.02
(C*9C/T*9V)*C16	UC48C	0.96	0.96	1.03
(C*9C/T*9V)*C20	UC48C	0.96	0.96	1.03
(C*9C/T*9V)*D20	UC48D	0.97	0.96	1.03
(C*(8,L)C/T*8V)*C16	UC60C	0.97	0.96	1.02
(C*(8,L)C/T*8V)*C20	UC60C	0.97	0.96	1.00
(C*9C/T*9V)*C16	UC60C	0.96	0.95	1.03
(C*9C/T*9V)*C20	UC60C	0.96	0.95	1.03
(C*9C/T*9V)*D20	UC60D	0.97	0.95	1.02

<b>COOLING PERFORMANCE DATA - LOW CFM 1-STAGE OPERATION</b>																
<b>OUTDOOR UNIT MODEL NO.</b>		<b>AC5B060F3(C)</b>														
<b>INDOOR COIL MODEL NO.</b>		<b>MC61D + MV20D</b>														
<b>CONDENSER ENTERING AIR TEMPERATURE</b>	ID CFM	1100					1150					1200				
	ID DB (°F)	80	80	75	80	80	80	80	75	80	80	80	80	75	80	80
	ID WB (°F)	57	62	62	67	72	57	62	62	67	72	57	62	62	67	72
65	T.C.	38.7	40.9	41.4	45.9	50.5	39.4	41.5	41.8	46.3	51.1	40.1	42.2	42.2	46.7	51.7
	S.C.	42.1	38.7	32.0	32.2	25.9	42.8	39.7	32.8	32.8	26.0	43.6	40.8	33.5	33.4	26.1
	K.W.	2.2	2.2	2.1	2.2	2.1	2.2	2.2	2.2	2.2	2.1	2.2	2.2	2.2	2.2	2.2
75	T.C.	37.0	39.1	39.4	43.7	48.1	37.6	39.6	39.8	44.0	48.7	38.2	40.2	40.1	44.4	49.3
	S.C.	40.2	37.2	31.1	31.2	25.0	40.8	38.1	31.8	31.8	25.1	41.5	39.1	32.5	32.3	25.3
	K.W.	2.6	2.6	2.5	2.5	2.5	2.6	2.6	2.6	2.5	2.5	2.6	2.6	2.6	2.6	2.5
85	T.C.	35.2	37.3	37.5	41.5	45.8	35.7	37.7	37.8	41.8	46.3	36.3	38.1	38.1	42.1	46.9
	S.C.	38.3	35.6	30.2	30.2	24.0	38.9	36.5	30.9	30.7	24.3	39.4	37.4	31.5	31.3	24.5
	K.W.	2.9	2.9	2.9	2.9	2.9	3.0	2.9	2.9	2.9	2.9	3.0	2.9	3.0	2.9	2.9
95	T.C.	33.5	35.5	35.5	39.2	43.4	33.9	35.8	35.7	39.5	44.0	34.3	36.1	36.0	39.8	44.5
	S.C.	36.5	34.1	29.4	29.1	23.0	36.9	35.0	30.0	29.7	23.4	37.3	35.8	30.5	30.3	23.7
	K.W.	3.3	3.3	3.3	3.3	3.3	3.3	3.3	3.3	3.3	3.3	3.3	3.3	3.3	3.3	3.3
105	T.C.	31.6	32.9	33.0	36.5	40.6	32.1	33.3	33.2	36.8	40.9	32.5	33.6	33.5	37.1	41.3
	S.C.	34.5	32.1	28.2	28.0	22.0	34.9	32.8	28.7	28.6	22.3	35.3	33.6	29.3	29.1	22.6
	K.W.	3.8	3.8	3.8	3.8	3.8	3.8	3.8	3.8	3.8	3.8	3.9	3.8	3.9	3.8	3.8
115	T.C.	29.8	30.5	30.6	33.9	37.8	30.3	30.8	30.8	34.2	38.0	30.8	31.1	31.0	34.4	38.2
	S.C.	32.5	30.2	27.1	26.9	20.9	33.0	30.8	27.6	27.5	21.2	33.4	31.4	28.0	28.1	21.6
	K.W.	4.4	4.3	4.3	4.3	4.3	4.4	4.3	4.3	4.3	4.3	4.4	4.3	4.3	4.3	4.3
125	T.C.	28.0	28.0	28.2	31.3	35.0	28.5	28.3	28.3	31.5	35.1	29.0	28.6	28.4	31.8	35.1
	S.C.	30.6	28.2	26.0	25.8	19.9	31.1	28.7	26.4	26.4	20.2	31.6	29.3	26.8	27.0	20.5
	K.W.	4.9	4.8	4.8	4.8	4.8	4.9	4.8	4.8	4.8	4.8	4.9	4.8	4.8	4.8	4.8

NOTE: ALL CAPACITIES ARE NET (KBTUH) WITH INDOOR FAN HEAT ALREADY DEDUCTED AT 1250 BTUH/1000 CFM.

### Multipliers for determining the performance with other indoor sections.

NOTE: For dry bulb temperatures different than those listed (between 73-87 F), sensible capacity increases by 1060 BTUH per 1000 CFM per degree above the listed temperature and decreases by 1060 BTUH per 1000 CFM per degree below the listed temperature.

NOTE: KW RATING IS FOR OUTDOOR AND INDOOR UNITS.

### LOW CFM

Air Handler	Coil	T.C.	S.C.	KW
AV/SV*60	-	0.96	0.94	1.04
AHX60	-	0.96	0.95	1.04
F*FV060	-	1.00	0.99	1.00
MV20D	FC/MC60D	0.99	0.99	0.99

Furnace	Coil	T.C.	S.C.	KW
T*(8,L)X*C16	FC/PC60C	0.96	0.95	1.04
T*(8,L)X*C20	FC/MC/PC60D	0.92	0.85	1.00
T*9X*C20	FC/PC60C	0.94	0.98	1.02
T*9X*D20	FC/MC/PC60D	0.96	0.98	1.02
T*9X*C20	FC/MC/PC60D	1.00	1.01	1.06
T*9X*C20	FC/MC62D	1.00	1.00	1.06
T*9X*D20	FC/MC62D	0.96	0.97	1.02
T*9X*D20	HD60	0.95	1.00	1.05
T*9X*D20	UC60D	0.97	0.99	1.05
T*9X*C20	UC60D	0.96	0.98	1.04
(C*9C/T*9V)*D20	FC/MC/PC60D	0.97	0.95	1.00
(C*9C/T*9V)*D20	FC/MC62D	0.97	0.95	1.00
(C*(8,L)C/T*8V)*C20	FC/PC60C	0.96	0.94	0.99
(C*9C/T*9V)*C20	FC/PC60C	0.96	0.93	1.00
(C*(8,L)C/T*8V)*C20	HD60	0.97	0.93	0.99
(C*9C/T*9V)*D20	HD60	0.98	0.95	1.00

COOLING PERFORMANCE DATA - HIGH CFM 2-STAGE OPERATION																
OUTDOOR UNIT MODEL NO.		AC5B060F3(C)														
INDOOR COIL MODEL NO.		MC61D + MV20D														
CONDENSER ENTERING AIR TEMPERATURE	ID CFM	1750					1850					1950				
	ID DB (°F)	80	80	75	80	80	80	80	75	80	80	80	80	75	80	80
	ID WB (°F)	57	62	62	67	72	57	62	62	67	72	57	62	62	67	72
65	T.C.	53.8	58.0	57.9	64.1	68.1	54.8	58.2	58.5	64.2	68.1	55.7	58.3	59.0	64.3	68.2
	S.C.	58.7	54.4	46.0	46.2	33.8	59.7	55.6	47.0	46.8	34.6	60.6	56.8	48.0	47.4	35.3
	K.W.	3.5	3.5	3.5	3.6	3.7	3.5	3.6	3.6	3.7	3.8	3.6	3.6	3.7	3.8	3.8
75	T.C.	51.8	55.2	55.5	61.1	65.7	52.6	55.5	55.8	61.3	65.9	53.4	55.9	56.1	61.5	66.1
	S.C.	56.4	52.9	44.9	44.7	33.4	57.3	54.2	45.8	45.4	34.1	58.1	55.5	46.7	46.2	34.7
	K.W.	3.9	4.0	4.0	4.1	4.2	4.0	4.0	4.0	4.1	4.2	4.1	4.1	4.1	4.2	4.3
85	T.C.	49.8	52.3	53.0	58.0	63.4	50.5	52.9	53.2	58.4	63.7	51.2	53.4	53.3	58.7	64.0
	S.C.	54.1	51.4	43.7	43.1	33.0	54.9	52.9	44.6	44.1	33.5	55.6	54.3	45.4	45.0	34.1
	K.W.	4.4	4.4	4.4	4.5	4.6	4.4	4.5	4.5	4.6	4.7	4.5	4.6	4.5	4.7	4.8
95	T.C.	47.7	49.5	50.5	55.0	61.1	48.4	50.2	50.5	55.5	61.5	48.9	51.0	50.5	56.0	62.0
	S.C.	51.9	49.9	42.5	41.6	32.6	52.5	51.5	43.3	42.7	33.0	53.1	53.0	44.1	43.7	33.4
	K.W.	4.8	4.9	4.9	5.0	5.1	4.9	4.9	4.9	5.0	5.2	5.0	5.0	5.0	5.1	5.3
105	T.C.	45.2	46.6	47.2	51.7	57.2	45.7	47.1	47.3	52.1	57.6	46.3	47.6	47.3	52.4	58.0
	S.C.	49.1	47.7	40.9	40.3	31.2	49.7	48.9	41.7	41.3	31.6	50.2	50.2	42.6	42.2	32.1
	K.W.	5.5	5.5	5.5	5.6	5.8	5.5	5.6	5.6	5.7	5.8	5.6	5.6	5.6	5.7	5.9
115	T.C.	42.7	43.8	44.0	48.5	53.5	43.2	44.1	44.2	48.7	53.9	43.7	44.4	44.3	49.0	54.2
	S.C.	46.4	45.5	39.3	39.1	29.8	46.9	46.5	40.2	40.0	30.3	47.4	47.5	41.1	40.8	30.8
	K.W.	6.1	6.2	6.1	6.2	6.4	6.2	6.2	6.2	6.3	6.4	6.3	6.3	6.2	6.4	6.5
125	T.C.	40.2	41.0	40.8	45.3	49.8	40.7	41.1	41.0	45.4	50.1	41.1	41.2	41.3	45.5	50.4
	S.C.	43.7	43.3	37.7	37.8	28.4	44.2	44.0	38.7	38.6	28.9	44.7	44.8	39.7	39.3	29.5
	K.W.	6.8	6.8	6.7	6.9	7.0	6.8	6.8	6.8	6.9	7.0	6.9	6.9	6.9	7.0	7.1

NOTE: ALL CAPACITIES ARE NET (KBTUH) WITH INDOOR FAN HEAT ALREADY DEDUCTED AT 1250 BTUH/1000 CFM.

### Multipliers for determining the performance with other indoor sections.

NOTE: For dry bulb temperatures different than those listed (between 73-87 F), sensible capacity increases by 1060 BTUH per 1000 CFM per degree above the listed temperature and decreases by 1060 BTUH per 1000 CFM per degree below the listed temperature.

NOTE: KW RATING IS FOR OUTDOOR AND INDOOR UNITS.

### HIGH CFM

Air Handler	Coil	T.C.	S.C.	KW
AV/SV*60	-	0.97	0.95	1.01
AHX60	-	0.97	0.98	1.04
F*FV060	-	1.00	0.99	1.00
MV20D	FC/MC60D	0.99	0.99	0.99

Furnace	Coil	T.C.	S.C.	KW
T*(8,L)X*C16	FC/PC60C	0.95	0.91	1.00
T*(8,L)X*C20	FC/MC/PC60D	0.96	0.92	1.00
T*9X*C20	FC/PC60C	0.95	0.92	0.99
T*9X*D20	FC/MC/PC60D	0.96	0.94	1.00
T*9X*C20	FC/MC/PC60D	0.96	0.93	1.00
T*9X*C20	FC/MC62D	0.97	0.94	0.99
T*9X*D20	FC/MC62D	0.96	0.94	1.00
T*9X*D20	HD60	0.95	0.90	1.00
T*9X*D20	UC60D	0.95	0.93	1.00
T*9X*C20	UC60D	0.95	0.91	1.01
(C*9C/T*9V)*D20	FC/MC/PC60D	0.97	0.93	0.99
(C*9C/T*9V)*D20	FC/MC62D	0.98	0.95	0.99
(C*(8,L)C/T*8V)*C20	FC/PC60C	0.97	0.94	0.97
(C*9C/T*9V)*C20	FC/PC60C	0.97	0.93	0.99
(C*(8,L)C/T*8V)*C20	HD60	0.98	0.94	0.97
(C*9C/T*9V)*D20	HD60	0.97	0.93	0.99

# NOTES