

SUBMITTAL DATA SHEET

ECHELON
R-410A SPLIT SYSTEM AIR CONDITIONER UNITS
18 SEER 2, 3, 4 & 5 TON
MODELS: AC8B 024 THRU 060

JOB NAME:			LOCATION:		
PURCHASER:			ORDER NO:		
ENGINEER:					
SUBMITTED TO:		FOR:	REF:	APPROVAL:	CONSTRUCTION:
SUBMITTED BY:			DATE:		
UNIT DESIGNATION:			SCHEDULE NO.		MODEL NO.

PRODUCT DATA

Cooling Performance

Total Capacity _____ MBH
 Outdoor Design Temp _____ °F

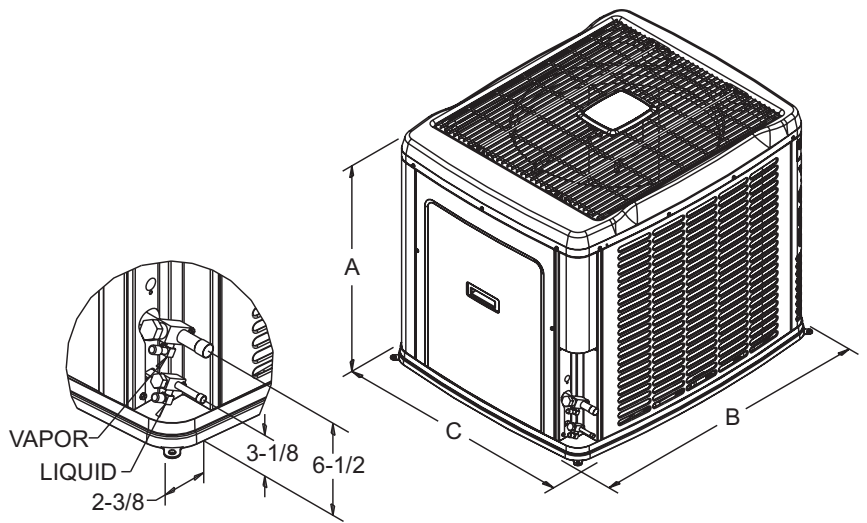
Electrical Data

Power Supply ____ / ____ / ____
 Compressor Ampacity _____ AMPs
 Total Unit Ampacity _____ AMPs
 Power Input Req _____ KW
 Minimum Wire Size _____ AWG
 Overcurrent Device
 Fuses Circuit Breaker

Unit Weight

Unit Weight _____ LBS

DIMENSIONS - INCHES



All dimensions are in inches. They are subject to change without notice. Certified dimensions will be provided upon request.

Unit Model	Dimensions (Inches)			Refrigerant Connection Service Valve Size	
	A	B	C	Liquid	Vapor
24	39-1/2	42	34	3/8"	3/4"
36	39-1/2	42	34		7/8"
48	39-1/2	42	34		
60	39-1/2	42	34		



FEATURES

- UL approval (units & accessories)
 - CSA listed and ARI certified
 - 5-year limited parts warranty
 - 10-year limited warranty on the compressor
 - Copper tube/aluminum fin coil
 - Hi and Lo pressure switches standard
 - Durable construction
 - Powder-painted steel cabinet
 - Factory wired
 - R-410A total system charge (thru 15 ft. of lines)
 - Sweat refrigerant connections
 - Re-usable service valves
 - Slide down electrical compartment for easy access
 - Enhanced coil guard
 - Composite base pan
 - Isolated compressor compartment
 - Full service access panel
 - Comfort alert compressor protection
 - Whisperdrive system
 - Swept wing fan design
 - Premium system warranty* - Limited Lifetime Compressor Warranty, 10 year parts warranty
- * Must be matched with an approved Coleman, coil and/or Air Handler.

MATCHING AIR SIDE EQUIPMENT

Model No. (_____)
 Submittal Form No. (_____)

FIELD INSTALLED ACCESSORIES

Dehumidification Control (2HU16700124) (_____)
 Thermostat (_____)
 Thermal Expansion Valve* (_____)
 Hard Start Kit (_____)

(Refer to Technical Guide for detailed specifications on the unit and its accessories.)

CLEARANCES

Front of Unit 24 inch
 All Other Sides 12 inch
 Above Unit 60 inch
 Below Unit 0 inch

*Must be installed for proper performance.

NOTES:
