

ACCESSORY KIT INSTALLATION INSTRUCTIONS

COIL GUARD ACCESSORY MODELS 1CG0403 and 1CG0404

For 7.5 Thru 20 Ton Split System Outdoor Units

TABLE 1: HAIL GUARD ACCESSORY REFERENCE INFORMATION

COIL GUARD ACCESSORY MODEL	CONDENSER UNIT MODEL		UNIT CAPACITY
1CG0403	YC090, YC/YD180, YH-07, YH/YJ-15, J07YC, J15YC/YD	PC090, PC/PD180, PH-07, PH/PJ-15, J07PC, J15PC/PD	7.5, 15 TON
1CG0404	YC/YD120,150, 240, YC300 YH/YJ-10, -12, -20, YH-25 J10, 15, 20YC/YD, J25YC	PC/PD120, 240, PH/PJ-10, -20, J10, 20PC/PD	10, 12.5, 20, 25 TON

Table 2: 1CG0403 ACCESSORY COMPONENT

ITEM	QTY.	DESCRIPTION
1	2	Wire Grill
2	16	Nylon Washer
3	16	#10 x .5" SCREW

Table 3: 1CG0404 ACCESSORY COMPONENT

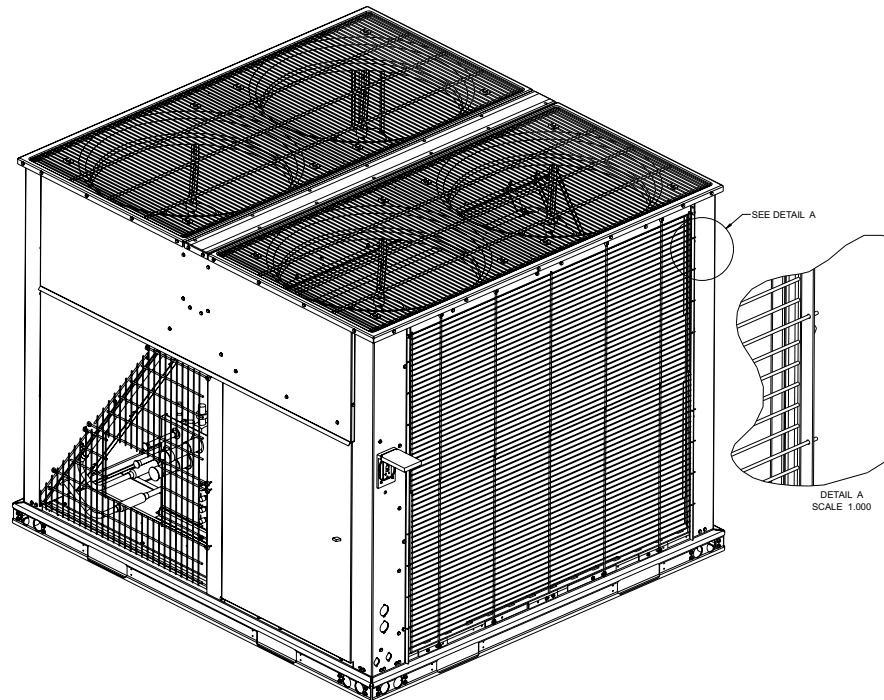
ITEM	QTY.	DESCRIPTION
1	4	Wire Grill
2	16	Nylon Washer
3	16	#10 x .5" SCREW

GENERAL

The coil guard is designed to prevent damage to the condenser coil of the unit.

INSTALLATION PROCEDURE

1. Verify correct model number and number of parts.
2. Install coil guard as seen in Figures 1 and 2. Pay attention to Details A&B of these Figures.


FIGURE 1 - 1CG0403 INSTALLED

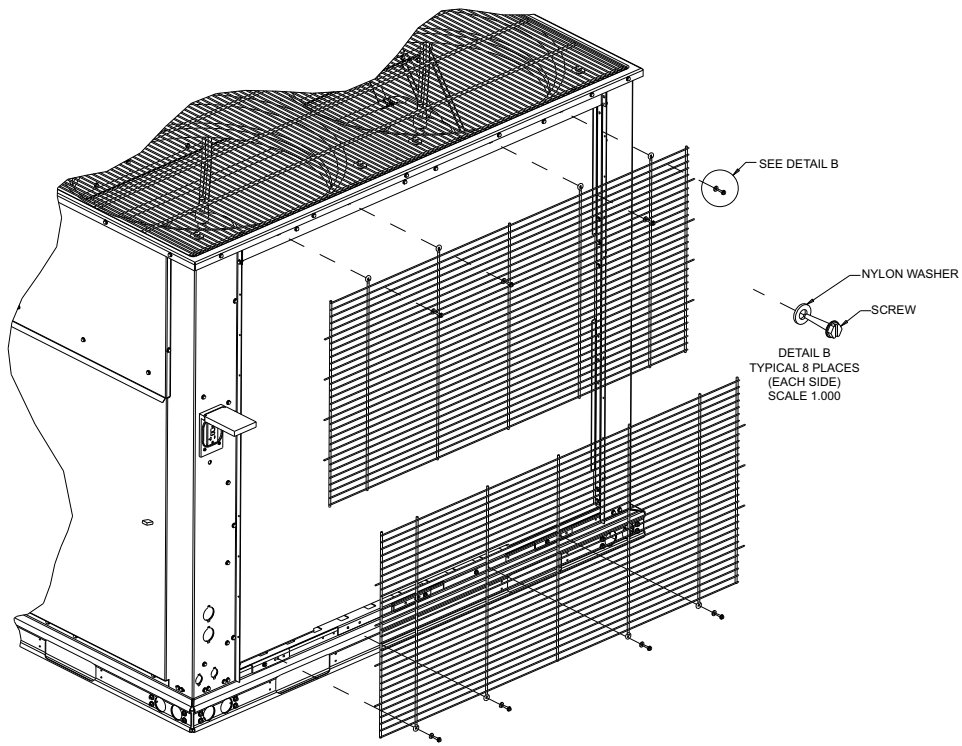


FIGURE 2 - 1CG0404 BEING INSTALLED